

## The new light crane system KBK Aluline



**The new standard for ergonomics**

CONNECT WITH EFFICIENCY

---

## **We invented smooth operation for easy load handling And we have now redefined it**

International studies prove that ergonomic workplace design has an immediate impact on productivity. Benefit from the productivity opportunities that KBK Aluline has to offer. For this reason, we have redefined smooth running characteristics for our new KBK Aluline light crane system. The result: one of the smoothest-running systems on the market. For operating sequences that are even more ergonomic and convenient. And now for loads weighing up to 2,000 kg.

### **ERGONOMIC**

The low weight of the aluminium profile sections combined with smooth-running trolleys makes these cranes even easier to move by hand than ever before. Even heavy and awkward loads can be moved and braked quickly and with only little effort. This represents a tangible benefit for the health and well-being of your workers – since physical loads can be reduced to a minimum.

### **EFFICIENT**

The new systems shine by virtue of considerable cost and time savings – thanks to simplified installation even before the system is put into operation. In addition, the new KBK Aluline needs even less maintenance than ever before and only very few spare parts.

### **STATE-OF-THE-ART**

Besides its outstanding technical properties, we have again ensured that the newly developed KBK Aluline looks good, too. Its high-quality design and bright finish make it ideally suited for state-of-the-art production facilities and attractive workplaces.

### **THE ALUMINIUM SYSTEM FROM THE MARKET LEADER**

The new KBK Aluline light crane system is the logical continuation of a strong heritage based on the smooth-running handling system we that invented 50 years ago. And more than ten years ago, we were the first manufacturer to launch an aluminium system. Since then, KBK Aluline has been the ideal solution wherever a crane installation has to deliver high performance for only a low deadweight.

### **NEW AND EVEN BETTER**

- Extremely smooth operation
- Simplified installation
- Load capacity up to 2,000 kg
- Ergonomic load handling for even heavy loads
- Low noise levels
- Virtually maintenance-free system
- Integrated conductor line for two profile sizes

**We have kept our customers' business  
on the move for many years**



**The new KBK Aluline  
now offers even more**

## Benefits that make your choice even easier



### OPTIMUM ERGONOMICS

- Convenient and ergonomic push-travel operation, also thanks to low crane deadweights
- Optimum support for fatigue-free operation
- Reduced physical burden for workers
- Lower absenteeism due to illness
- Higher employee satisfaction
- Optimum workplace design thanks to comprehensive range of chain hoists and load handling attachments



### HIGHLY COST-EFFECTIVE

- Maximum value and efficiency throughout the entire product service life
- Compatible with existing KBK Aluline systems
- Smart combinations with steel profile sections for even larger distances between suspensions
- Gain valuable floor space thanks to overhead materials handling – linear, e.g. along a production line, and area-serving, e.g. at individual assembly stations



### MAXIMUM FLEXIBILITY

- Modular system design based on the construction-kit principle
- Wide range of applications from push-travel and electric systems or pneumatic operation to fully automated installations
- New components can be integrated or existing units can be replaced with ease at any time
- Combination of aluminium and steel profile sections possible in one installation
- Short delivery times thanks to availability of almost all parts from stock

### VALUABLE COST SAVINGS

- Fast and simple installation and conversion
- Reduced forces transmitted to superstructures for lighter, more cost-effective building design
- Greater distances between suspensions and joints for fewer suspension fittings: additional steelwork largely unnecessary
- Simple and cost-effective modification and extension to meet changing requirements



### PROVEN SYSTEM

- Continuously tested in our own test centre and in external tests
- Quality made in Germany
- Light crane system from the market leader with more than 50 years of experience



### PROFESSIONAL PLANNING SUPPORT

- Free KBK Designer online tool for project engineering your KBK installations
- Planning made easy: fast, self-explanatory configuration including static calculation, parts list, technical drawing and quotation price
- Link to the Demag Shop order system for simple and reliable orders at the click of your mouse



## Outstanding profile system features

### ANODIZED PROFILE SECTION SURFACE

Durable, resistant to corrosion and impacts for protection against ambient conditions. State-of-the-art industrial design and even longer service life.

### PROFILE SECTIONS

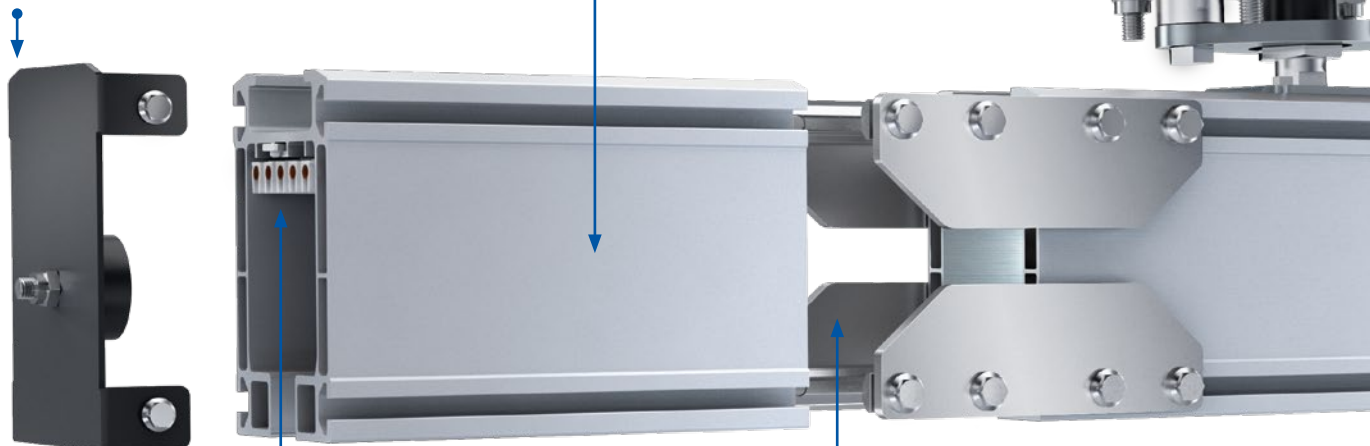
Can be easily removed and extended to save time and costs for maintenance and repairs.

### END CAP

Bolted slot connection for simple assembly and disassembly.

### KBK ERGO SUSPENSION

Rigid design that can be adjusted down to the last millimetre. Accommodates kick-up forces and transfers them to the superstructure via rubber damping elements. Ideally suited for applications with manipulators, extending cranes or offset loads.



### INTEGRATED CONDUCTOR LINE

Available as an option for profile section sizes A18 and A22. Improved headroom dimensions, uncluttered design, reduced risk of accidents and collisions. Safe and reliable electric powerfeed arrangement without the need for additional power supply fittings – also for more than two cranes on one track.

### KBK ERGO TROLLEY

Counter-pressure roller can be adjusted via eccentric fitting. Rigid loads and ergonomic handling equipment, such as manipulator cranes, can be attached. High positioning accuracy also at high operating speeds.

### JOINT CONNECTION

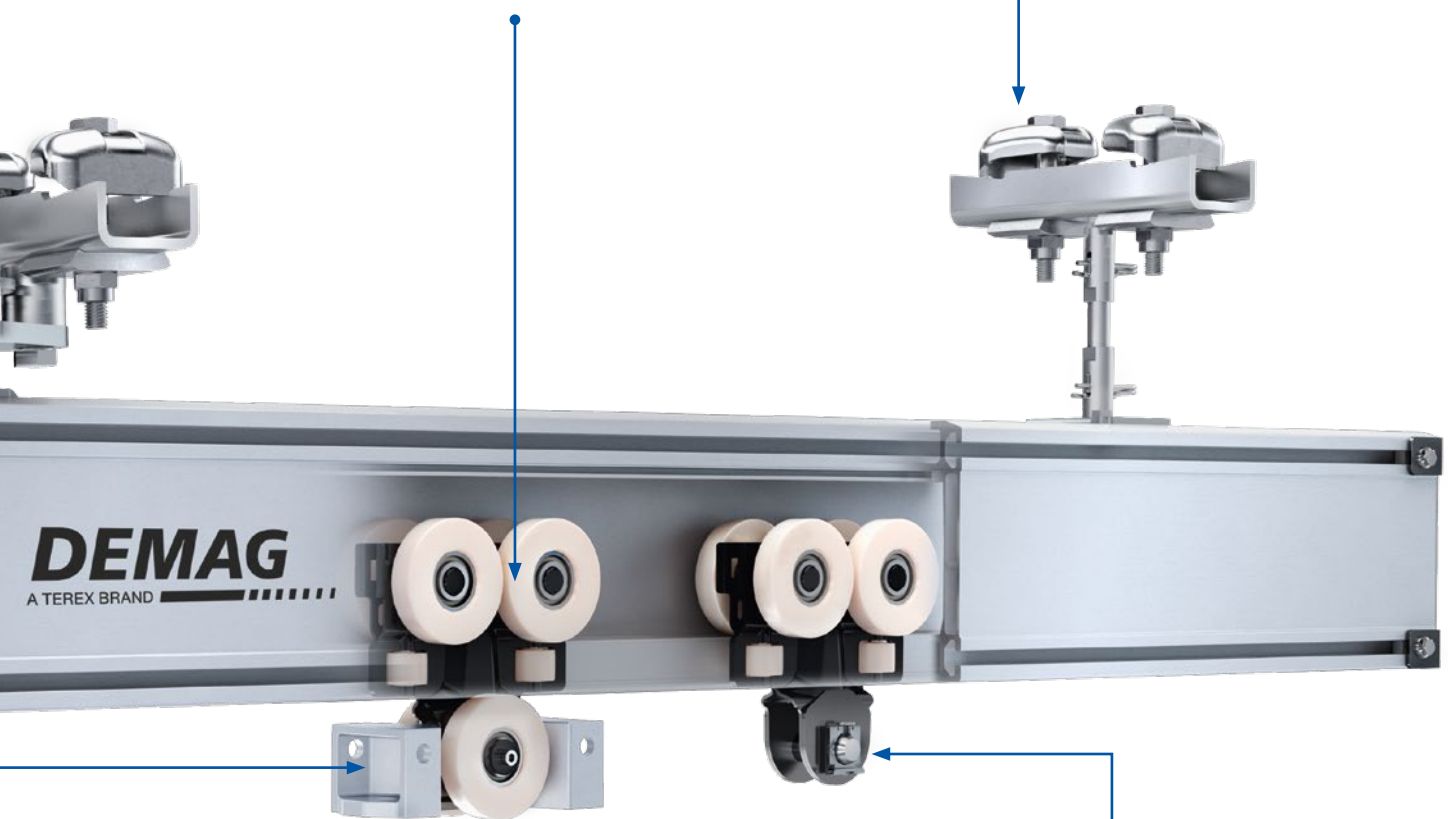
Easy to assemble thanks to simple bolted connecting plates.

### PLASTIC TRAVEL ROLLERS

Extremely light, quiet and smooth operation thanks to advanced plastic wheels for long service life. Low travel forces and tested in long-term trials under demanding conditions.

### KBK CLASSIC SUSPENSION

Articulated joint with threaded suspension rods for long suspension arrangements. Adjustment down to the last millimetre and connection to a wide variety of superstructures.



41104

### TROLLEYS

Smooth performance and minimum rolling resistance over the entire product service life. Anti-friction bearings lubricated for life. Lateral guide rollers for smooth travel as standard. Sleek design with minimum deadweight.

### KBK CLASSIC TROLLEY

Further hoist units can be added – e.g. chain hoists with variable lifting speeds or electric balancer units.

## One system to meet all your needs

From simple workshop cranes to highly complex material flow arrangements, the KBK Aluline light crane system offers the right solution for virtually any requirement and enables you to design almost any overhead suspension crane or monorail system.

### ALWAYS THE RIGHT CONFIGURATION

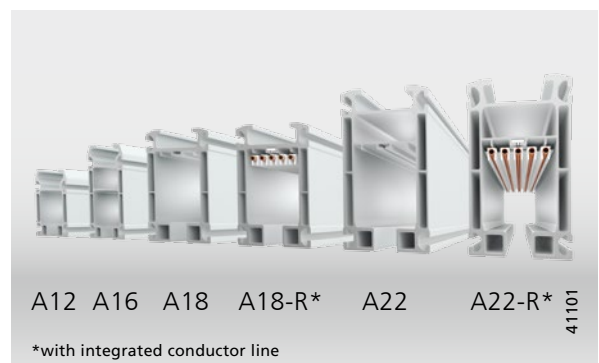
- Monorail tracks to connect workplaces
- Single and double-girder cranes for area-serving transport requirements or for complex handling systems, such as in series production lines
- Rigid handling equipment in connection with double-rail tracks or double-girder cranes
- Extending cranes to utilise areas which could not be accessed until now – e.g. next to assembly lines

The aluminium profile sections are ideally suited for combinations with KBK steel profile sections – also at a later date.



### ALWAYS THE RIGHT PROFILE SECTION

Six aluminium profile sections in four sizes. Can be combined with older installations via adapters. ITEM-compatible slots. Very low deadweight for high rigidity. Large suspension distances possible up to 8 metres.



Suspension distances [m]									
Profile/load capacity [kg]	100	150	250	500	750	1000	1250	1600	2000
A12	4.7	3.8	3.0	2.1	1.5	1.1			
A16	7.1	5.8	4.5	3.2	2.4	1.8	1.5	1.1	
A18	8.0	8.0	6.5	4.6	3.8	3.2	2.8	2.2	1.8
A22	8.0	8.0	8.0	6.0	5.0	4.3	3.8	3.0	2.4



A photograph of two men wearing white hard hats and light blue shirts, looking at a large sheet of paper (blueprints) on a construction site. The background shows a blue sky and a building under construction with vertical rebar.

**Simple, safe, reliable and productive  
load handling**

**The choice has never  
been so easy**

DEMAG KBK ALULINE



40883

---

## The market leader working for you

Today, we are the world market leader in the light crane system sector. Our engineering and service teams are recognised as among the most experienced in the industry. The KBK system is considered to be one of the best in the modular crane system sector all over the world.

### **SUCCESS FOR GOOD REASON**

No other system has been on the market as long, no other system can combine so much experience with constant improvement based on continuous research and development. The KBK system production process is always state-of-the-art. And we test our crane systems under the most punishing conditions before they leave the factory. The same also applies to KBK Aluline – the trolleys have run tests of 2,500 kilometers, alone.

### **MAXIMUM SAFETY, QUALITY AND RELIABILITY**

The Demag crane experts are the right partner to ensure the long-term safety, reliability and availability of your KBK installation. We offer you a wide range of valuable services to cover the entire life cycle of your installations. From a single source. And the same applies to cranes, hoists, load handling attachments and related components of our Demag brand and to products supplied by other manufacturers.



#### OUR GOAL

You can concentrate fully on your core business – since you have the certainty that your installations operate reliably, efficiently and without any faults or malfunctions.

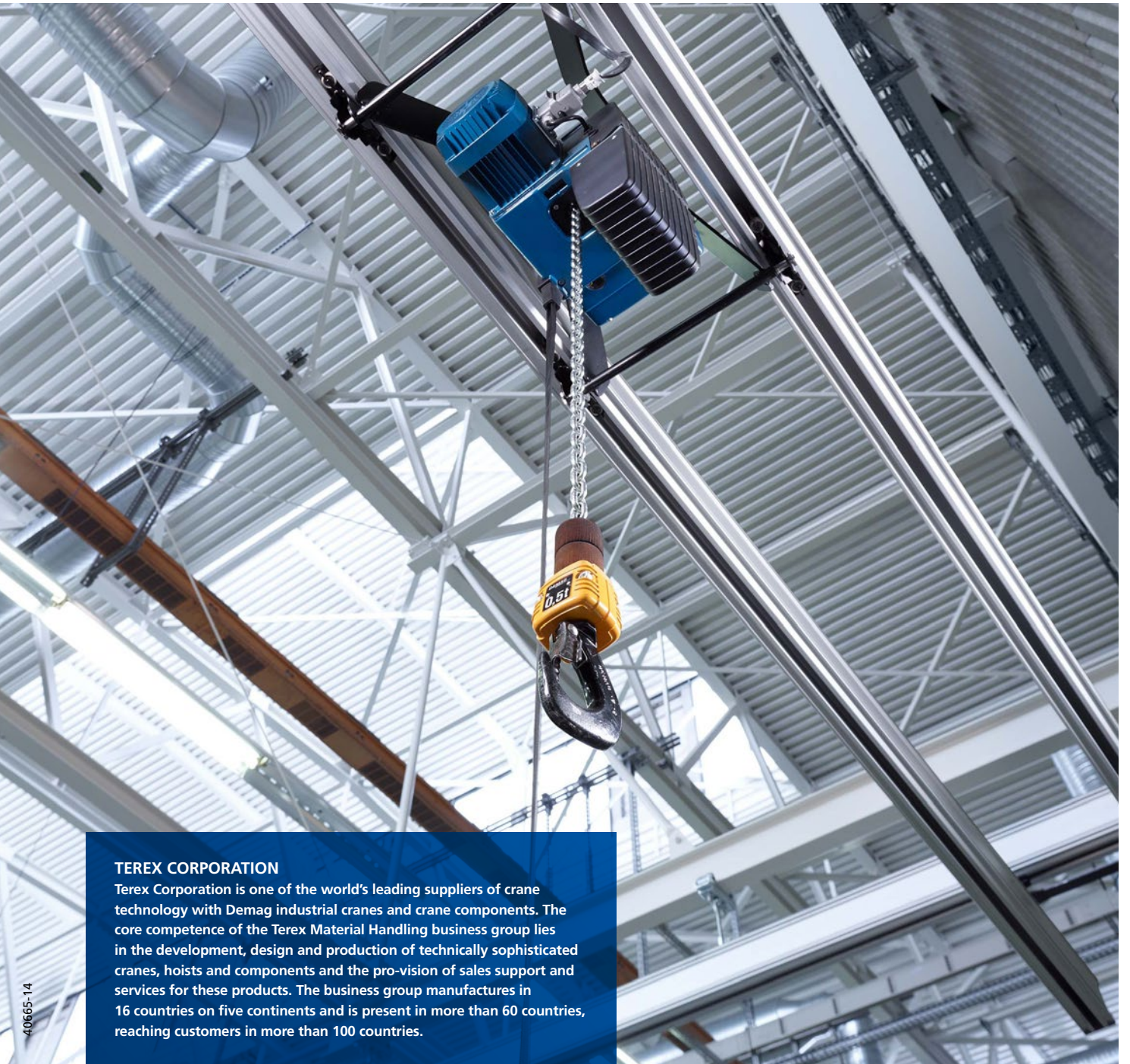
We give you everything you need: a large global service network, highly trained service engineers and a highly efficient spare parts logistics system.

#### 50 YEARS OF EXPERIENCE FOR STATE-OF-THE-ART SOLUTIONS

In 1963, we created a new crane segment with our KBK crane construction kit, which revolutionised the market for cranes. The modular light crane system changed production processes in virtually all sectors of industry. It made them safer, more profitable and, for the first time, offered our customers maximum modularity, flexibility and operator ergonomics, marking the beginning of a unique success story. Our experience gained over 50 years of the KBK system ensures that you are provided with unmatched expertise for safe, reliable, efficient and state-of-the-art material transport solutions.

# DEMAG

A TEREX BRAND



## TEREX CORPORATION

Terex Corporation is one of the world's leading suppliers of crane technology with Demag industrial cranes and crane components. The core competence of the Terex Material Handling business group lies in the development, design and production of technically sophisticated cranes, hoists and components and the provision of sales support and services for these products. The business group manufactures in 16 countries on five continents and is present in more than 60 countries, reaching customers in more than 100 countries.

## Demag Cranes & Components GmbH

PO Box 67 · 58286 Wetter / Germany

Phone: +49 (0) 2335 92-0

Fax: +49 (0) 2335 92-7676

Email: [info@demagcranes.com](mailto:info@demagcranes.com)

[www.demagcranes.com](http://www.demagcranes.com)

40665-14