

Demag standard single-girder full portal crane

EVPE type with EKDR single-rail travelling hoist

Dimensions catalogue

Description

Steel structure

The steel construction of the crane carrier has been calculated according to DIN 15018, hoisting class H2, designed to loading group B3. The steel construction of the supports and suspensions has been calculated according to FEM. The overall construction has been designed to be operated in a hall.

The full portal crane spans its working area like a gantry. It travels on two parallel rails on which it rests with its pipe supports. The gantry is a steel construction in frame-type design. The crane girder is designed as a welded box. The crane is equipped with a pendulum leg and a rigid pier leg each in order to compensate the length variation of the crane bridge (horizontal part of the gantry). The travelling hoist with the hoist unit traverses alongside the crane bridge.

The long travel units on the solid-walled square pipes or welded boxes and wheel block systems are designed as a travel and drive unit.

The travelling hoist travels on the crane girder bottom boom.

Crane trolleys, supports and crossbars are screwed to the crane girders.

The perfect crane alignment geometry (essential for good operating characteristics) is guaranteed by extremely precise machining and tolerances on the connecting surfaces, exact measurement and precise adjustment.

All construction and production procedures, along with the components themselves, are subject to

permanent and comprehensive quality control in accordance with DIN ISO 9001.

Crane runway rails

The following profiles/constructions can be used as crane runway rails:

- A rail
- Supporting section with welded:
 - Flat steel rail
 - square steel rail

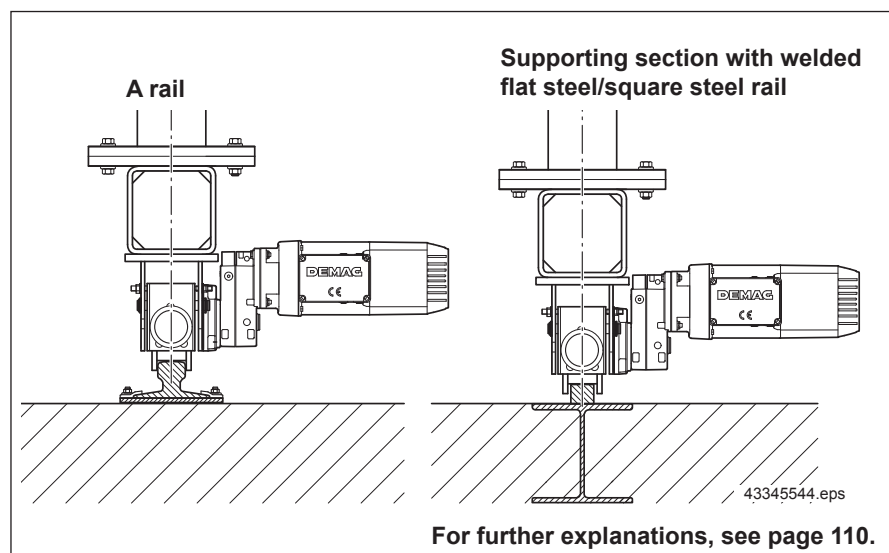
For the dimensioning of the crane runway rail, the specifications in accordance with VDI 3576 (Oct.1986) and DIN 18800 for steel constructions must be complied with.

Crane runway rails with a grinder construction (e.g. foundations) are usually available on site.

Usual crane runway rails:

- A rail profiles: A45, A55, A65 and A75
- Flat steel rail: 50 x 30, 60 x 40,
- Square steel rail: 45 x 45, 50 x 50.

Make sure that the existing clearance is not less than the requested clearance.



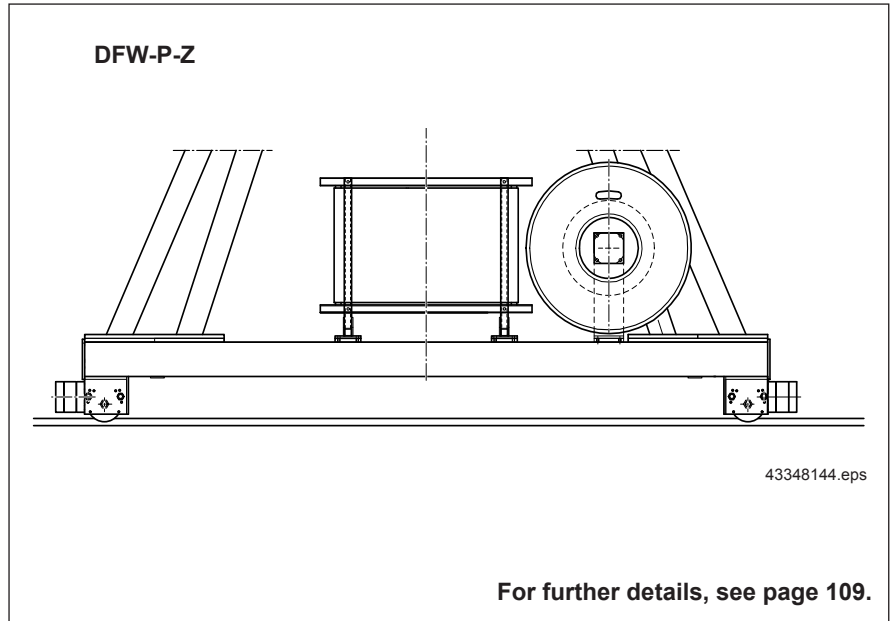
For further explanations, see page 110.

Crane trolleys

The crane trolley consists of the solid-walled square pipe profile or a welded, torsionally rigid box-section girder, the driven wheel block systems with geared motor and the non-driven wheel block systems.

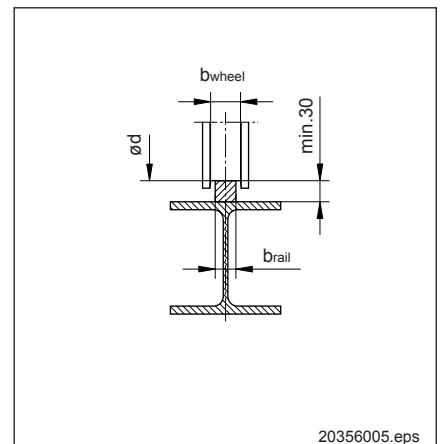
The travel wheel is made of hard-wearing spheroidal graphite cast iron (minimum tensile strength 700 N/mm²).

Design features are a long service life owing to anti-friction roller bearings lubricated for life in the wheel bearings, changes in track gauge by means of adjusting elements and fitting of the drives optionally on the inside or outside.



Wheel tread

Travel unit DFW-P-Z	Dimensions in mm	
	max b_{wheel}	max b_{rail}
Size $\varnothing d$		
125	60	50
160	65	50
200	65	50
250	75	60



Long travel drives

Virtually maintenance-free individual drives directly drive a travel wheel on each crane side.

The integrated flywheel mass of the cylindrical rotor motor ensures smooth starting of the crane and the special motor winding allows a high number of starts and stops. The disc brake in the motor is spring-actuated and features electro-magnetic release. It is controlled independently of the motor and causes no axial movement of the rotor shaft or forces on the bearings.

Long travel speed $V_{kr} = 10/40$ m/min (pole-changing motor)
 $V_{kr} = 60$ m/min (infinitely variable)
 (further speeds on request)

Technical data: 203 352 44 Travel unit components
 203 151 44 geared travel motors

Single-rail travelling hoist

Single-rail travelling hoists, short headroom EKDR 3 / EKDR 5 / EKDR 10 with the DR-Pro Demag DR rope hoist.

Cross-travel speeds: $V_{ka} =$ up to 30 m/min (infinitely variable)
 owing to cylindrical rotor motor with frequency inverter

Technical data: 203 520 44 DR-Pro

Corrosion protection steel construction

If not requested otherwise by the customer, the following Demag Cranes & Components Standard, on the basis of the DIN EN ISO 12944-2 corrosiveness categories, applies to the pre-treatment of steel components.

Steel construction cranes, crane trolleys	C2 M	Operation in the hall
	C3 M	Outdoor operation
Steel construction travelling hoist (series)	C3 M	In general
Steel construction travelling hoist (process)	C2 M	Operation in the hall
	C3 M	Outdoor operation

The minimum coat thickness is at least the double of the surface roughness upstream of the application - but at least 50 µm.

Steel structure	Golden yellow RAL 1004
Travel drives	Azure blue RAL 5009

Travelling hoist power supply

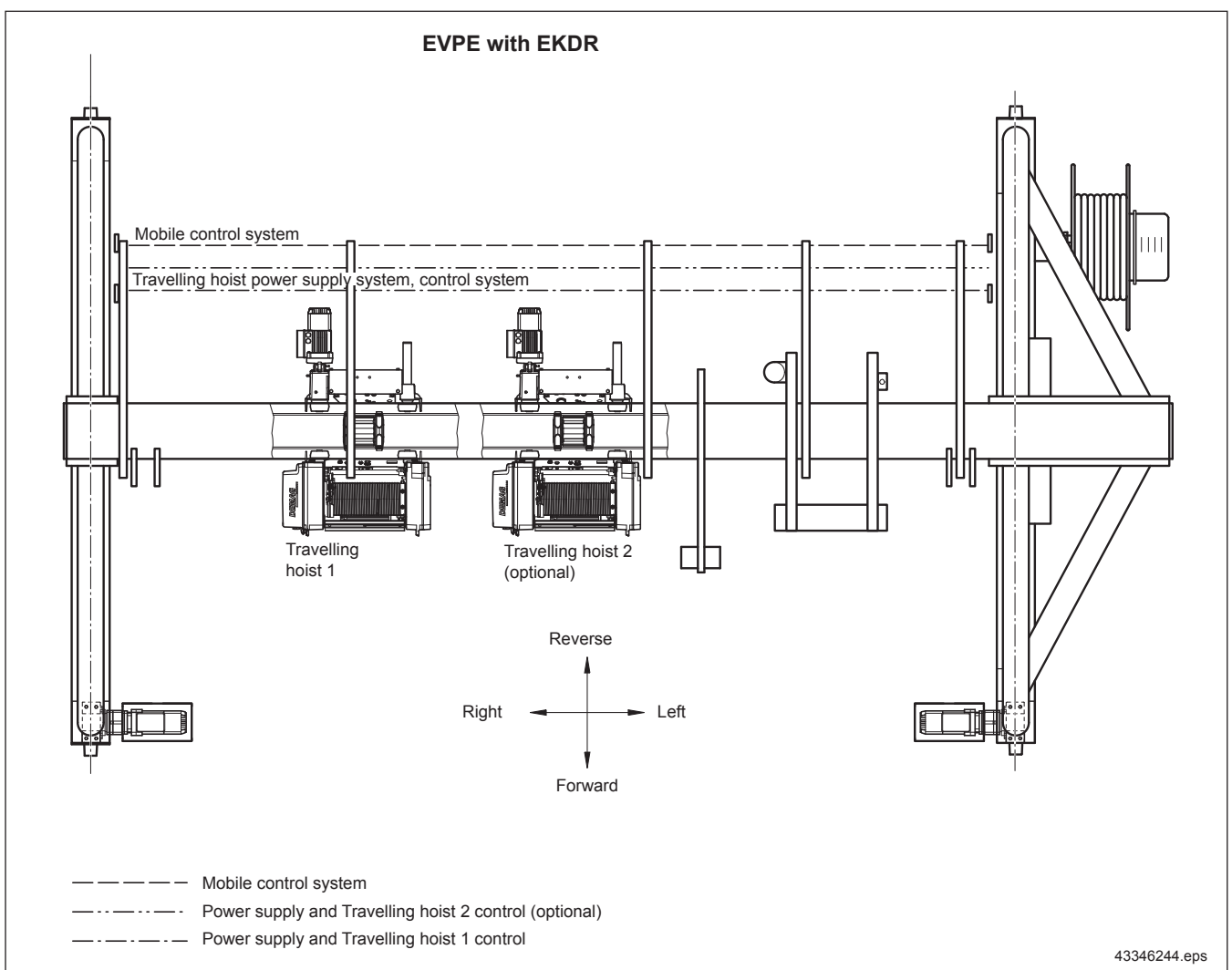
Transmission of power and control commands from the electrical equipment enclosure of the crane to the crab is via a trailing cable system featuring highly flexible flat cables with KBK 25.

A protective earth conductor is always installed. In accordance with the VDE regulations, a crane switch is provided.

Crane control system

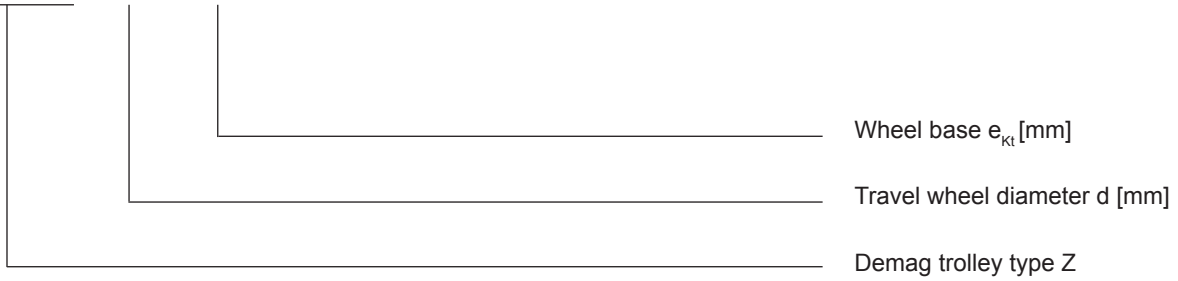
All motions of the crane are controlled via an integrated CAN BUS system. The crane is controlled from the ground either by means of:

- Demag Line Control pendants which can travel independently of the crab position or are fixed on the crab, or
- Demag Radio Control wireless radio control systems.

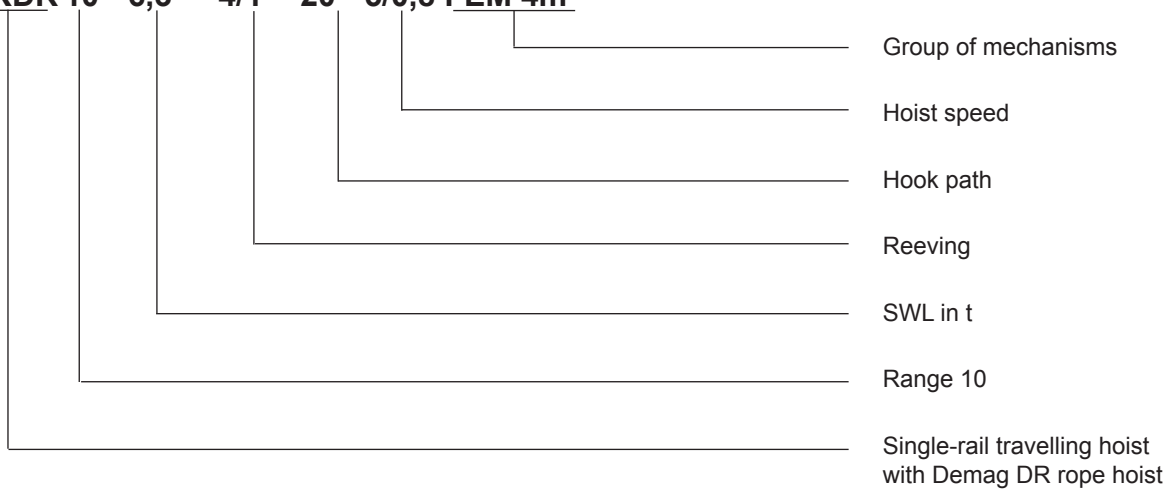


Type designation

DFW-P-Z 160 / 5000

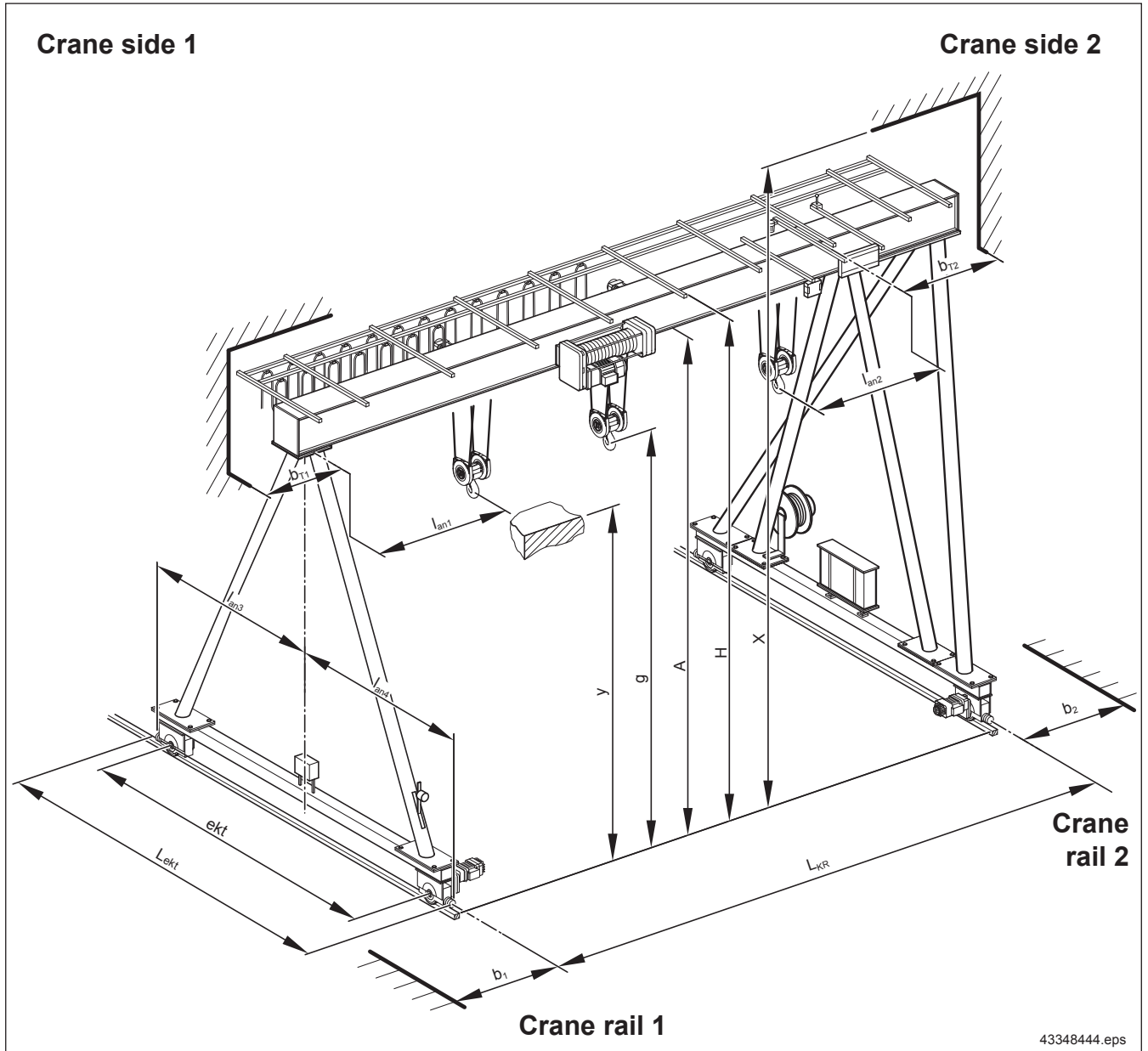


EKDR 10 - 6,3 - 4/1 - 20 - 5/0,8 FEM 4m



Demag standard single-girder full portal crane

Type: EVPE
 Trolley: DFW-P-Z ___ / ___
 Travelling hoist: 1 x EKDR



© Demag Cranes & Components GmbH

- | | | |
|--|---|--|
| L_{KR} span crane | Crane side 2 | l_{an1} Approach dimension load hooks up to centre of pendulum leg crane side 1 |
| ekt Wheel base travel unit | b_1 Clearance centre of pendulum leg Crane side 1 | l_{an2} Approach dimension load hooks up to centre of vertical pier leg crane side 2 |
| L_{ekt} end carriage length over buffer | b_2 Clearance centre of pier leg Crane side 2 | |
| l_{an3} Approach dimensions crane front side | y Obstacle edge, max. height | |
| l_{an4} Approach dimensions crane back side | g remaining hook path | |
| b_{T1} Clearance centre of pendulum leg Crane side 1 | A Portal crane height, lower edge of girder | |
| b_{T2} Clearance centre of pier leg | H Total height up to upper edge Rail mounting C | |
| | X Total height with clearance | |

20373744.indd/0808112

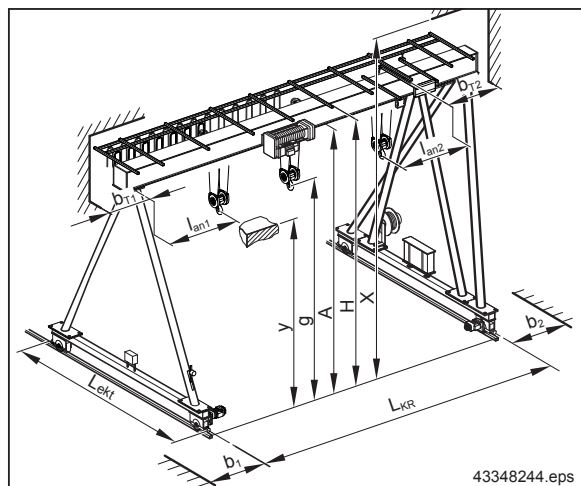
EVPE load capacity 1,6 t

Overall height: A4 m

Trolley: DFW-P ___ / ___

Travelling hoist: 1x EKDR 3 - 1,6 2/1 - 20,0 Z - 25

Hook path: 20 m; hoist speed: 12/2 m/min; 18/3 m/min;
or 1 - 25 m/min infinitely variable;
cross-travel speed up to 30 m/min infinitely variable



43348244.eps

Crane										Travelling hoist			Travel unit				
L _{KR}	b ₁ 1)	b ₂ 1)	b _{T1} 1)	b _{T2} 1)	H	X 1)	y 2)	GG	R _{max}	l _{an1}	l _{an2}	g	l _{an3} /l _{an4}	d	ekt	L _{ekt}	DPZ
4	270	270	140	490	4460	4560	3500	2327	1464	565	980	3482	1959	125	3500	3917	100
5	270	270	140	490	4460	4560	3500	2427	1537	565	980	3482	1959	125	3500	3917	100
6	270	270	140	490	4460	4560	3500	2524	1596	565	980	3482	1959	125	3500	3917	100
7	270	270	140	490	4460	4560	3500	2687	1653	565	980	3482	2209	125	4000	4417	100
8	270	270	140	490	4460	4560	3500	2721	1690	565	980	3482	1959	125	3500	3917	100
9	270	270	140	490	4460	4560	3500	2820	1731	565	980	3482	1959	125	3500	3917	100
10	270	270	140	490	4460	4560	3500	2918	1769	565	980	3482	1959	125	3500	3917	100
11	270	270	140	490	4460	4560	3500	3017	1804	565	980	3482	1959	125	3500	3917	100
12	270	270	140	490	4462	4562	3500	3169	1854	565	980	3482	1959	125	3500	3917	100
13	270	270	140	490	4464	4564	3500	3346	1910	565	980	3486	1959	125	3500	3917	100
14	270	270	140	490	4466	4566	3500	3533	1967	565	980	3486	1959	125	3500	3917	100
15	270	270	140	540	4564	4664	3500	3738	2025	565	980	3486	1959	125	3500	3917	100
16	270	270	140	540	4564	4664	3500	3856	2060	685	1100	3486	1959	125	3500	3917	100
17	270	270	140	540	4564	4664	3500	3977	2098	685	1100	3486	1959	125	3500	3917	100
18	270	270	140	540	4566	4666	3500	4176	2157	685	1100	3486	1959	125	3500	3917	100
19	270	270	140	640	4664	4764	3500	4420	2233	685	1100	3486	1959	125	3500	3917	100
20	270	270	140	640	4664	4764	3500	4548	2271	685	1100	3486	1959	125	3500	3917	100
21	270	270	140	640	4664	4764	3500	4678	2309	685	1100	3486	1959	125	3500	3917	100
22	270	270	140	640	4668	4768	3500	5030	2411	685	1100	3486	1959	125	3500	3917	100
23	270	270	140	740	4764	4864	3500	5521	2555	685	1100	3486	1959	125	3500	3917	100
24	270	270	140	740	4764	4864	3500	5673	2600	685	1100	3486	1959	125	3500	3917	100
25	270	270	140	740	4766	4866	3500	6053	2708	685	1100	3486	1959	125	3500	3917	100
26	270	270	195	895	4764	4864	3500	6817	2930	685	1100	3416	1959	125	3500	3917	100
27	270	270	195	895	4768	4868	3500	7646	3136	685	1100	3416	2209	125	4000	4417	100
28	270	270	195	965	4864	4964	3500	7895	3210	685	1100	3416	2209	125	4000	4417	100
29	270	270	195	965	4868	4968	3500	8692	3432	685	1100	3416	2209	125	4000	4417	100
30	270	270	195	965	4972	5072	3500	9560	3677	685	1100	3416	2209	125	4000	4417	100

1) Minimum dimension, includes 100 mm clearance

2) Minimum dimension, includes 500 mm clearance

All dimensions in mm (L_{KR} in m).

Weights **max. R** and **G_e** are in kg.

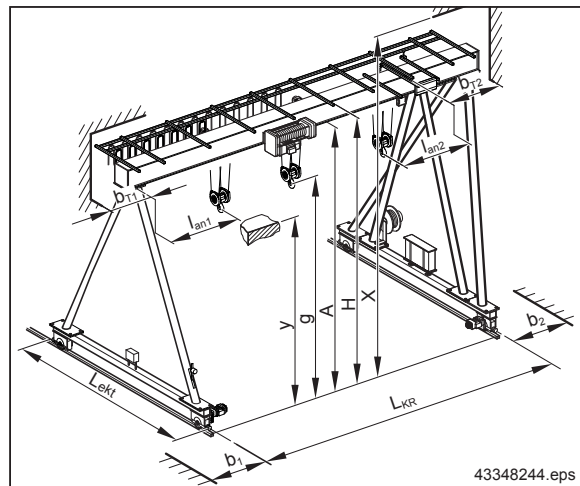
All structural dimensions, approach dimensions and information on the crane runway dimensions are based on the standard design presented in this catalogue. Any deviations must be checked.

EVPE load capacity 1,6 t

Overall height: A6 m

Trolley: DFW-P ___ / ___

Travelling hoist: 1x EKDR 3 - 1,6 2/1 - 20,0 Z - 25



43348244.eps

Hook path: 20 m; hoist speed: 12/2 m/min; 18/3 m/min;
or 1 - 25 m/min infinitely variable;
cross-travel speed up to 30 m/min infinitely variable

Crane										Travelling hoist			Travel unit				
L _{KR}	b ₁ 1)	b ₂ 1)	b _{T1} 1)	b _{T2} 1)	H	X 1)	y 2)	GG	R _{max}	l _{an1}	l _{an2}	g	l _{an3} /l _{an4}	d	ekt	L _{ekt}	DPZ
4	270	270	140	490	6460	6560	5500	2705	1608	565	980	5482	2459	125	4500	4917	100
5	270	270	140	490	6460	6560	5500	2805	1683	565	980	5482	2459	125	4500	4917	100
6	270	270	140	490	6460	6560	5500	2902	1741	565	980	5482	2459	125	4500	4917	100
7	270	270	140	490	6460	6560	5500	3001	1791	565	980	5482	2459	125	4500	4917	100
8	270	270	140	490	6460	6560	5500	3099	1835	565	980	5482	2459	125	4500	4917	100
9	270	270	140	490	6460	6560	5500	3198	1876	565	980	5482	2459	125	4500	4917	100
10	270	270	140	490	6460	6560	5500	3296	1914	565	980	5482	2459	125	4500	4917	100
11	270	270	140	490	6460	6560	5500	3395	1949	565	980	5482	2459	125	4500	4917	100
12	270	270	140	490	6462	6562	5500	3547	1999	565	980	5482	2459	125	4500	4917	100
13	270	270	140	490	6464	6564	5500	3724	2056	565	980	5486	2459	125	4500	4917	100
14	270	270	140	490	6466	6566	5500	3911	2114	565	980	5486	2459	125	4500	4917	100
15	270	270	140	540	6564	6664	5500	4116	2171	565	980	5486	2459	125	4500	4917	100
16	270	270	140	540	6564	6664	5500	4234	2208	685	1100	5486	2459	125	4500	4917	100
17	270	270	140	540	6564	6664	5500	4355	2245	685	1100	5486	2459	125	4500	4917	100
18	270	270	140	540	6566	6666	5500	4554	2305	685	1100	5486	2459	125	4500	4917	100
19	270	270	140	640	6664	6764	5500	4798	2382	685	1100	5486	2459	125	4500	4917	100
20	270	270	140	640	6664	6764	5500	4926	2419	685	1100	5486	2459	125	4500	4917	100
21	270	270	140	640	6664	6764	5500	5056	2458	685	1100	5486	2459	125	4500	4917	100
22	270	270	140	640	6668	6768	5500	5408	2561	685	1100	5486	2459	125	4500	4917	100
23	270	270	140	740	6764	6864	5500	5899	2706	685	1100	5486	2459	125	4500	4917	100
24	270	270	140	740	6764	6864	5500	6051	2751	685	1100	5486	2459	125	4500	4917	100
25	270	270	140	740	6766	6866	5500	6431	2861	685	1100	5486	2459	125	4500	4917	100
26	270	270	195	895	6764	6864	5500	6925	3006	685	1100	5416	2459	125	4500	4917	100
27	270	270	195	895	6768	6868	5500	7679	3221	685	1100	5416	2459	125	4500	4917	100
28	270	270	195	895	6864	6964	5500	7874	3279	685	1100	5416	2459	125	4500	4917	100
29	270	270	195	895	6868	6968	5500	8691	3511	685	1100	5416	2459	125	4500	4917	100
30	270	270	195	965	6972	7072	5500	9868	3853	685	1100	5416	2459	125	4500	4917	100

© Demag Cranes & Components GmbH

1) Minimum dimension, includes 100 mm clearance

2) Minimum dimension, includes 500 mm clearance

All dimensions in mm (L_{Kr} in m).

Weights **max. R** and **G_e** are in kg.

All structural dimensions, approach dimensions and information on the crane runway dimensions are based on the standard design presented in this catalogue. Any deviations must be checked.

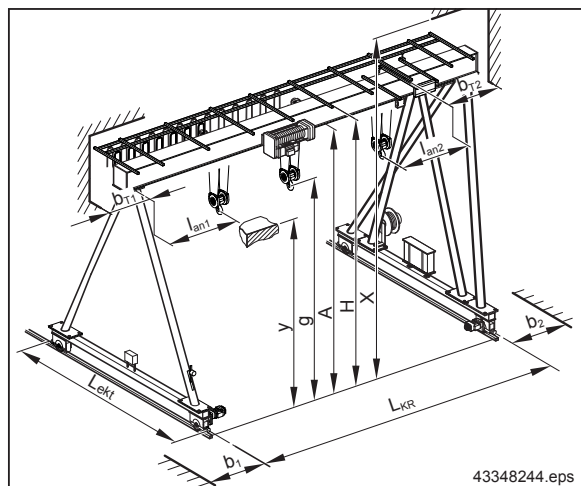
20373744.indd0808112

EVPE load capacity 1,6 t

Overall height: A8 m

Trolley: DFW-P ___ / ___

Travelling hoist: 1x EKDR 3 - 1,6 2/1 - 20,0 Z - 25



Hook path: 20 m; hoist speed: 12/2 m/min; 18/3 m/min;
or 1 - 25 m/min infinitely variable;
cross-travel speed up to 30 m/min infinitely variable

Crane										Travelling hoist			Travel unit				
L _{KR}	b ₁ 1)	b ₂ 1)	b _{T1} 1)	b _{T2} 1)	H	X 1)	y 2)	GG	R _{max}	l _{an1}	l _{an2}	g	l _{an3} /l _{an4}	d	ekt	L _{ekt}	DPZ
4	270	270	195	895	8460	8560	7500	3473	1906	565	980	7482	2709	125	5000	5417	100
5	270	270	195	895	8460	8560	7500	3573	1980	565	980	7482	2709	125	5000	5417	100
6	270	270	195	895	8460	8560	7500	3606	2038	565	980	7482	2459	125	4500	4917	100
7	270	270	195	895	8460	8560	7500	3706	2088	565	980	7482	2459	125	4500	4917	100
8	270	270	195	895	8460	8560	7500	3803	2134	565	980	7482	2459	125	4500	4917	100
9	270	270	195	895	8460	8560	7500	3903	2175	565	980	7482	2459	125	4500	4917	100
10	270	270	195	895	8460	8560	7500	4064	2213	565	980	7482	2709	125	5000	5417	100
11	270	270	195	895	8460	8560	7500	4164	2250	565	980	7482	2709	125	5000	5417	100
12	270	270	195	895	8462	8562	7500	4317	2302	565	980	7482	2709	125	5000	5417	100
13	270	270	195	895	8464	8564	7500	4497	2360	565	980	7486	2709	125	5000	5417	100
14	270	270	195	895	8466	8566	7500	4685	2420	565	980	7486	2709	125	5000	5417	100
15	270	270	195	895	8564	8664	7500	4886	2475	565	980	7486	2709	125	5000	5417	100
16	270	270	195	895	8564	8664	7500	5004	2512	685	1100	7486	2709	125	5000	5417	100
17	270	270	195	895	8564	8664	7500	5125	2551	685	1100	7486	2709	125	5000	5417	100
18	270	270	195	895	8566	8666	7500	5326	2611	685	1100	7486	2709	125	5000	5417	100
19	270	270	195	895	8664	8764	7500	5559	2683	685	1100	7486	2709	125	5000	5417	100
20	270	270	195	895	8664	8764	7500	5687	2722	685	1100	7486	2709	125	5000	5417	100
21	270	270	195	895	8664	8764	7500	5817	2762	685	1100	7486	2709	125	5000	5417	100
22	270	270	195	895	8668	8768	7500	6170	2866	685	1100	7486	2709	125	5000	5417	100
23	270	270	195	895	8764	8864	7500	6649	3007	685	1100	7486	2709	125	5000	5417	100
24	270	270	195	895	8764	8864	7500	6802	3054	685	1100	7486	2709	125	5000	5417	100
25	270	270	195	895	8766	8866	7500	7183	3165	685	1100	7486	2709	125	5000	5417	100
26	270	270	195	895	8764	8864	7500	7667	3307	685	1100	7416	2709	125	5000	5417	100
27	270	270	195	895	8768	8868	7500	8421	3526	685	1100	7416	2709	125	5000	5417	100
28	270	270	195	895	8864	8964	7500	8616	3584	685	1100	7416	2709	125	5000	5417	100
29	270	270	195	895	8868	8968	7500	9433	3820	685	1100	7416	2709	125	5000	5417	100
30	270	270	195	965	8972	9072	7500	10610	4168	685	1100	7416	2709	125	5000	5417	100

1) Minimum dimension, includes 100 mm clearance

2) Minimum dimension, includes 500 mm clearance

All dimensions in mm (L_{KR} in m).

Weights **max. R** and **G_e** are in kg.

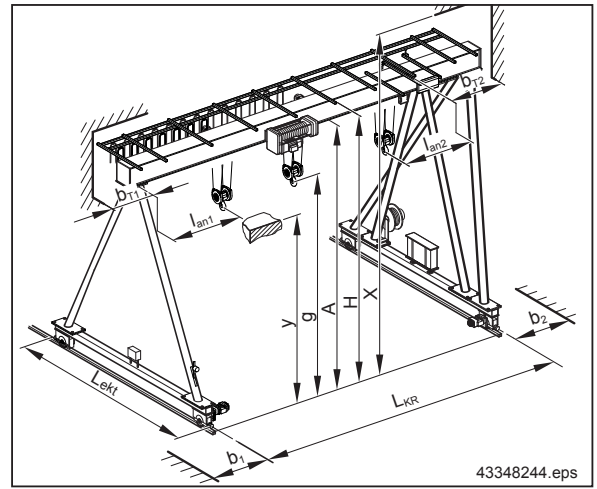
All structural dimensions, approach dimensions and information on the crane runway dimensions are based on the standard design presented in this catalogue. Any deviations must be checked.

EVPE load capacity 1,6 t

Overall height: A10 m

Trolley: DFW-P ___ / ___

Travelling hoist: 1x EKDR 3 - 1,6 2/1 - 20,0 Z - 25



Hook path: 20 m; hoist speed: 12/2 m/min; 18/3 m/min;
or 1 - 25 m/min infinitely variable;
cross-travel speed up to 30 m/min infinitely variable

Crane										Travelling hoist			Travel unit				
L _{KR}	b ₁ 1)	b ₂ 1)	b _{T1} 1)	b _{T2} 1)	H	X 1)	y 2)	GG	R _{max}	I _{an1}	I _{an2}	g	I _{an3} /I _{an4}	d	ekt	L _{ekt}	DPZ
4	270	270	195	895	10460	10560	9500	4629	2339	565	980	9482	2709	125	5000	5417	100
5	270	270	195	895	10460	10560	9500	4729	2414	565	980	9482	2709	125	5000	5417	100
6	270	270	195	895	10460	10560	9500	4826	2475	565	980	9482	2709	125	5000	5417	100
7	270	270	195	895	10460	10560	9500	4926	2525	565	980	9482	2709	125	5000	5417	100
8	270	270	195	895	10460	10560	9500	5023	2570	565	980	9482	2709	125	5000	5417	100
9	270	270	195	895	10460	10560	9500	5203	2613	565	980	9482	2959	125	5500	5917	100
10	270	270	195	895	10460	10560	9500	5300	2652	565	980	9482	2959	125	5500	5917	100
11	270	270	195	895	10460	10560	9500	5400	2688	565	980	9482	2959	125	5500	5917	100
12	270	270	195	895	10462	10562	9500	5553	2741	565	980	9482	2959	125	5500	5917	100
13	270	270	195	895	10464	10564	9500	5733	2799	565	980	9486	2959	125	5500	5917	100
14	270	270	195	895	10466	10566	9500	5921	2860	565	980	9486	2959	125	5500	5917	100
15	270	270	195	895	10564	10664	9500	6122	2917	565	980	9486	2959	125	5500	5917	100
16	270	270	195	895	10564	10664	9500	6240	2954	685	1100	9486	2959	125	5500	5917	100
17	270	270	195	895	10564	10664	9500	6361	2994	685	1100	9486	2959	125	5500	5917	100
18	270	270	195	895	10566	10666	9500	6562	3054	685	1100	9486	2959	125	5500	5917	100
19	270	270	195	895	10664	10764	9500	6795	3128	685	1100	9486	2959	125	5500	5917	100
20	270	270	195	895	10664	10764	9500	6923	3167	685	1100	9486	2959	125	5500	5917	100
21	270	270	195	895	10664	10764	9500	7053	3206	685	1100	9486	2959	125	5500	5917	100
22	270	270	195	895	10668	10768	9500	7406	3313	685	1100	9486	2959	125	5500	5917	100
23	270	270	195	895	10764	10864	9500	7885	3456	685	1100	9486	2959	125	5500	5917	100
24	270	270	195	895	10764	10864	9500	8038	3502	685	1100	9486	2959	125	5500	5917	100
25	270	270	195	895	10766	10866	9500	8419	3616	685	1100	9486	2959	125	5500	5917	100
26	270	270	195	895	10764	10864	9500	8989	3753	685	1100	9416	3209	125	6000	6417	100
27	270	270	195	895	10768	10868	9500	9743	3973	685	1100	9416	3209	125	6000	6417	100
28	270	270	195	895	10864	10964	9500	9938	4031	685	1100	9416	3209	125	6000	6417	100
29	270	270	195	895	10868	10968	9500	10755	4269	685	1100	9416	3209	125	6000	6417	100
30	270	270	195	965	10972	11072	9500	11932	4618	685	1100	9416	3229	125	6000	6457	120

© Demag Cranes & Components GmbH

1) Minimum dimension, includes 100 mm clearance

2) Minimum dimension, includes 500 mm clearance

All dimensions in mm (L_{kr} in m).

Weights **max. R** and **G_e** are in kg.

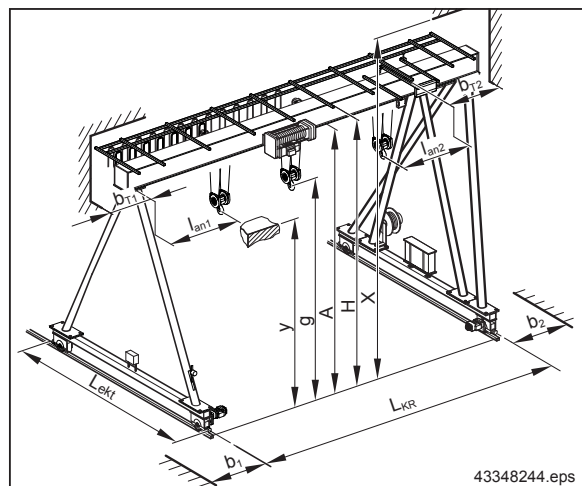
All structural dimensions, approach dimensions and information on the crane runway dimensions are based on the standard design presented in this catalogue. Any deviations must be checked.

20373744.indd0808112

EVPE load capacity 2,5 t

Overall height: A4 m
 Trolley: DFW-P ___ / ___
 Travelling hoist: 1x EKDR 3 - 2,5 4/1 - 10,0 Z - 12,5

Hook path: 10 m; hoist speed: 6/1 m/min; 9/1,5 m/min;
 or 0,5 - 12,5 m/min infinitely variable;
 cross-travel speed up to 30 m/min infinitely variable



43348244.eps

Crane										Travelling hoist			Travel unit				
L _{KR}	b ₁ 1)	b ₂ 1)	b _{T1} 1)	b _{T2} 1)	H	X 1)	y 2)	GG	R _{max}	l _{an1}	l _{an2}	g	l _{an3} /l _{an4}	d	ekt	L _{ekt}	DPZ
4	270	270	140	490	4460	4560	3500	2351	1867	625	920	3622	1959	125	3500	3917	100
5	270	270	140	490	4460	4560	3500	2449	1960	625	920	3622	1959	125	3500	3917	100
6	270	270	140	490	4464	4564	3500	2675	2053	625	920	3626	2209	125	4000	4417	100
7	270	270	140	490	4464	4564	3500	2720	2110	625	920	3626	1959	125	3500	3917	100
8	270	270	140	490	4464	4564	3500	2827	2163	625	920	3626	1959	125	3500	3917	100
9	270	270	140	490	4464	4564	3500	2937	2213	625	920	3626	1959	125	3500	3917	100
10	270	270	140	490	4464	4564	3500	3044	2256	625	920	3626	1959	125	3500	3917	100
11	270	270	140	490	4464	4564	3500	3154	2300	625	920	3626	1959	125	3500	3917	100
12	270	270	140	540	4564	4664	3500	3401	2381	625	920	3626	1959	125	3500	3917	100
13	270	270	140	540	4564	4664	3500	3521	2424	625	920	3626	1959	125	3500	3917	100
14	270	270	140	540	4564	4664	3500	3641	2462	625	920	3626	1959	125	3500	3917	100
15	270	270	140	540	4566	4666	3500	3830	2511	625	920	3626	1959	125	3500	3917	100
16	270	270	140	640	4664	4764	3500	4053	2583	745	1040	3626	1959	125	3500	3917	100
17	270	270	140	640	4664	4764	3500	4185	2625	745	1040	3626	1959	125	3500	3917	100
18	270	270	140	640	4666	4766	3500	4413	2696	745	1040	3626	1959	125	3500	3917	100
19	270	270	140	640	4668	4768	3500	4635	2760	745	1040	3626	1959	125	3500	3917	100
20	270	270	140	740	4764	4864	3500	4789	2812	745	1040	3626	1959	125	3500	3917	100
21	270	270	140	740	4764	4864	3500	4929	2854	745	1040	3626	1959	125	3500	3917	100
22	270	270	140	740	4764	4864	3500	5388	2988	745	1040	3626	1959	125	3500	3917	100
23	270	270	140	840	4864	4964	3500	5949	3153	745	1040	3626	1959	125	3500	3917	100
24	270	270	140	840	4864	4964	3500	6120	3203	745	1040	3626	1959	125	3500	3917	100
25	270	270	195	895	4864	4964	3500	6941	3436	745	1040	3551	1959	125	3500	3917	100
26	270	270	195	895	4864	4964	3500	7429	3578	745	1040	3551	1959	125	3500	3917	100
27	270	270	195	895	4866	4966	3500	7972	3699	745	1040	3551	2209	125	4000	4417	100
28	270	270	195	965	4966	5066	3500	8202	3770	745	1040	3551	2209	125	4000	4417	100
29	270	270	195	965	4966	5066	3500	8714	3913	745	1040	3551	2209	125	4000	4417	100
30	270	270	195	965	5068	5168	3500	9280	4073	745	1040	3551	2209	125	4000	4417	100

1) Minimum dimension, includes 100 mm clearance

2) Minimum dimension, includes 500 mm clearance

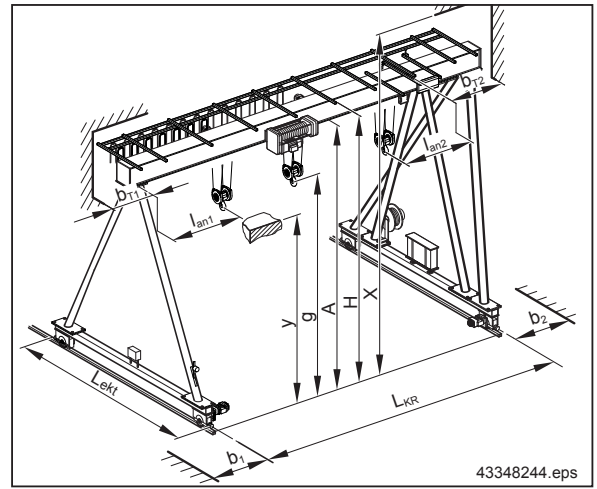
All dimensions in mm (L_{KR} in m).

Weights max. R and G_e are in kg.

All structural dimensions, approach dimensions and information on the crane runway dimensions are based on the standard design presented in this catalogue. Any deviations must be checked.

EVPE load capacity 2,5 t

Overall height: A6 m
 Trolley: DFW-P ___ / ___
 Travelling hoist: 1x EKDR 3 - 2,5 4/1 - 10,0 Z - 12,5



Hook path: 10 m; hoist speed: 6/1 m/min; 9/1,5 m/min;
 or 0,5 - 12,5 m/min infinitely variable;
 cross-travel speed up to 30 m/min infinitely variable

Crane										Travelling hoist			Travel unit				
L _{KR}	b ₁ 1)	b ₂ 1)	b _{T1} 1)	b _{T2} 1)	H	X 1)	y 2)	GG	R _{max}	l _{an1}	l _{an2}	g	l _{an3} /l _{an4}	d	ekt	L _{ekt}	DPZ
4	270	270	140	490	6460	6560	5500	2729	2021	625	920	5622	2459	125	4500	4917	100
5	270	270	140	490	6460	6560	5500	2827	2117	625	920	5622	2459	125	4500	4917	100
6	270	270	140	490	6464	6564	5500	2989	2204	625	920	5626	2459	125	4500	4917	100
7	270	270	140	490	6464	6564	5500	3098	2267	625	920	5626	2459	125	4500	4917	100
8	270	270	140	490	6464	6564	5500	3205	2320	625	920	5626	2459	125	4500	4917	100
9	270	270	140	490	6464	6564	5500	3315	2368	625	920	5626	2459	125	4500	4917	100
10	270	270	140	490	6464	6564	5500	3422	2413	625	920	5626	2459	125	4500	4917	100
11	270	270	140	490	6464	6564	5500	3532	2457	625	920	5626	2459	125	4500	4917	100
12	270	270	140	540	6564	6664	5500	3779	2539	625	920	5626	2459	125	4500	4917	100
13	270	270	140	540	6564	6664	5500	3899	2580	625	920	5626	2459	125	4500	4917	100
14	270	270	140	540	6564	6664	5500	4019	2621	625	920	5626	2459	125	4500	4917	100
15	270	270	140	540	6566	6666	5500	4208	2670	625	920	5626	2459	125	4500	4917	100
16	270	270	140	640	6664	6764	5500	4431	2742	745	1040	5626	2459	125	4500	4917	100
17	270	270	140	640	6664	6764	5500	4563	2784	745	1040	5626	2459	125	4500	4917	100
18	270	270	140	640	6666	6766	5500	4791	2855	745	1040	5626	2459	125	4500	4917	100
19	270	270	140	640	6668	6768	5500	5013	2921	745	1040	5626	2459	125	4500	4917	100
20	270	270	140	740	6764	6864	5500	5167	2972	745	1040	5626	2459	125	4500	4917	100
21	270	270	140	740	6764	6864	5500	5307	3016	745	1040	5626	2459	125	4500	4917	100
22	270	270	140	740	6764	6864	5500	5766	3149	745	1040	5626	2459	125	4500	4917	100
23	270	270	140	840	6864	6964	5500	6327	3316	745	1040	5626	2459	125	4500	4917	100
24	270	270	140	840	6864	6964	5500	6498	3367	745	1040	5626	2459	125	4500	4917	100
25	270	270	195	895	6864	6964	5500	7313	3601	745	1040	5551	2459	125	4500	4917	100
26	270	270	195	895	6864	6964	5500	7507	3657	745	1040	5551	2459	125	4500	4917	100
27	270	270	195	895	6866	6966	5500	8006	3801	745	1040	5551	2459	125	4500	4917	100
28	270	270	195	965	6966	7066	5500	8510	3952	745	1040	5551	2459	125	4500	4917	100
29	270	270	195	965	6966	7066	5500	8727	4014	745	1040	5551	2459	125	4500	4917	100
30	270	270	195	965	7068	7168	5500	9588	4261	745	1040	5551	2459	125	4500	4917	100

© Demag Cranes & Components GmbH

1) Minimum dimension, includes 100 mm clearance

2) Minimum dimension, includes 500 mm clearance

All dimensions in mm (L_{Kr} in m).

Weights **max. R** and **G_e** are in kg.

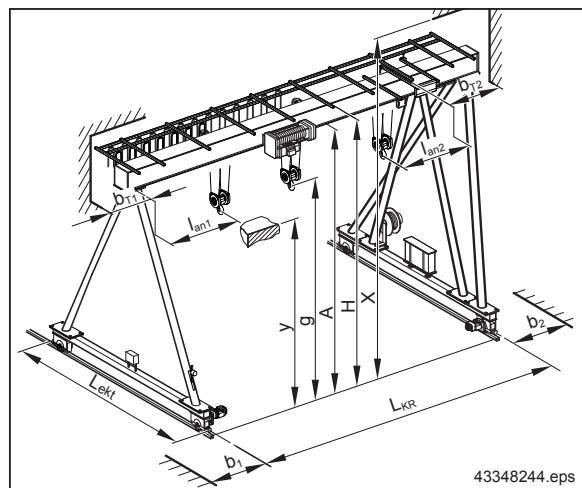
All structural dimensions, approach dimensions and information on the crane runway dimensions are based on the standard design presented in this catalogue. Any deviations must be checked.

20373744.indd0808112

EVPE load capacity 2,5 t

Overall height: A8 m
 Trolley: DFW-P ___ / ___
 Travelling hoist: 1x EKDR 3 - 2,5 4/1 - 10,0 Z - 12,5

Hook path: 10 m; hoist speed: 6/1 m/min; 9/1,5 m/min;
 or 0,5 - 12,5 m/min infinitely variable;
 cross-travel speed up to 30 m/min infinitely variable



Crane										Travelling hoist			Travel unit				
L _{KR}	b ₁ 1)	b ₂ 1)	b _{T1} 1)	b _{T2} 1)	H	X 1)	y 2)	GG	R _{max}	l _{an1}	l _{an2}	g	l _{an3} /l _{an4}	d	ekt	L _{ekt}	DPZ
4	270	270	195	895	8460	8560	7500	3497	2331	625	920	7622	2709	125	5000	5417	100
5	270	270	195	895	8460	8560	7500	3595	2425	625	920	7622	2709	125	5000	5417	100
6	270	270	195	895	8464	8564	7500	3761	2516	625	920	7626	2709	125	5000	5417	100
7	270	270	195	895	8464	8564	7500	3870	2579	625	920	7626	2709	125	5000	5417	100
8	270	270	195	895	8464	8564	7500	3978	2632	625	920	7626	2709	125	5000	5417	100
9	270	270	195	895	8464	8564	7500	4087	2682	625	920	7626	2709	125	5000	5417	100
10	270	270	195	895	8464	8564	7500	4194	2726	625	920	7626	2709	125	5000	5417	100
11	270	270	195	895	8464	8564	7500	4305	2771	625	920	7626	2709	125	5000	5417	100
12	270	270	195	895	8564	8664	7500	4549	2853	625	920	7626	2709	125	5000	5417	100
13	270	270	195	895	8564	8664	7500	4669	2895	625	920	7626	2709	125	5000	5417	100
14	270	270	195	895	8564	8664	7500	4790	2935	625	920	7626	2709	125	5000	5417	100
15	270	270	195	895	8566	8666	7500	4979	2985	625	920	7626	2709	125	5000	5417	100
16	270	270	195	895	8664	8764	7500	5192	3053	745	1040	7626	2709	125	5000	5417	100
17	270	270	195	895	8664	8764	7500	5324	3096	745	1040	7626	2709	125	5000	5417	100
18	270	270	195	895	8666	8766	7500	5553	3170	745	1040	7626	2709	125	5000	5417	100
19	270	270	195	895	8668	8768	7500	5776	3237	745	1040	7626	2709	125	5000	5417	100
20	270	270	195	895	8764	8864	7500	5916	3281	745	1040	7626	2709	125	5000	5417	100
21	270	270	195	895	8764	8864	7500	6056	3325	745	1040	7626	2709	125	5000	5417	100
22	270	270	195	895	8764	8864	7500	6517	3462	745	1040	7626	2709	125	5000	5417	100
23	270	270	195	895	8864	8964	7500	7063	3622	745	1040	7626	2709	125	5000	5417	100
24	270	270	195	895	8864	8964	7500	7234	3675	745	1040	7626	2709	125	5000	5417	100
25	270	270	195	895	8864	8964	7500	8055	3914	745	1040	7551	2709	125	5000	5417	100
26	270	270	195	895	8864	8964	7500	8249	3972	745	1040	7551	2709	125	5000	5417	100
27	270	270	195	895	8866	8966	7500	8748	4119	745	1040	7551	2709	125	5000	5417	100
28	270	270	195	965	8966	9066	7500	9252	4272	745	1040	7551	2709	125	5000	5417	100
29	270	270	195	965	8966	9066	7500	9469	4335	745	1040	7551	2709	125	5000	5417	100
30	270	270	195	965	9068	9168	7500	10330	4586	745	1040	7551	2729	125	5000	5457	120

1) Minimum dimension, includes 100 mm clearance

2) Minimum dimension, includes 500 mm clearance

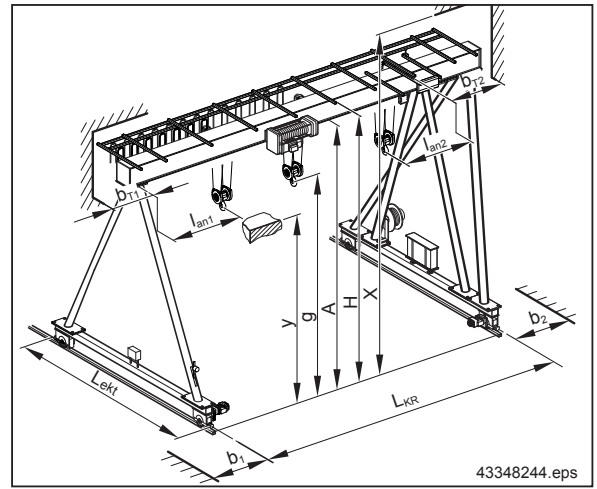
All dimensions in mm (L_{KR} in m).

Weights **max. R** and **G_e** are in kg.

All structural dimensions, approach dimensions and information on the crane runway dimensions are based on the standard design presented in this catalogue. Any deviations must be checked.

EVPE load capacity 2,5 t

Overall height: **A10 m**
 Trolley: **DFW-P ___ / ___**
 Travelling hoist: **1x EKDR 3 - 2,5 4/1 - 10,0 Z - 12,5**



Hook path: 10 m; hoist speed: 6/1 m/min; 9/1,5 m/min;
 or 0,5 - 12,5 m/min infinitely variable;
 cross-travel speed up to 30 m/min infinitely variable

Crane										Travelling hoist			Travel unit				
L _{KR}	b ₁ 1)	b ₂ 1)	b _{T1} 1)	b _{T2} 1)	H	X 1)	y 2)	GG	R _{max}	l _{an1}	l _{an2}	g	l _{an3} /l _{an4}	d	ekt	L _{ekt}	DPZ
4	270	270	195	895	10460	10560	9500	4653	2779	625	920	9622	2709	125	5000	5417	100
5	270	270	195	895	10460	10560	9500	4751	2874	625	920	9622	2709	125	5000	5417	100
6	270	270	195	895	10464	10564	9500	4917	2966	625	920	9626	2709	125	5000	5417	100
7	270	270	195	895	10464	10564	9500	5026	3030	625	920	9626	2709	125	5000	5417	100
8	270	270	195	895	10464	10564	9500	5214	3079	625	920	9626	2959	125	5500	5917	100
9	270	270	195	895	10464	10564	9500	5323	3129	625	920	9626	2959	125	5500	5917	100
10	270	270	195	895	10464	10564	9500	5430	3174	625	920	9626	2959	125	5500	5917	100
11	270	270	195	895	10464	10564	9500	5541	3219	625	920	9626	2959	125	5500	5917	100
12	270	270	195	895	10564	10664	9500	5785	3302	625	920	9626	2959	125	5500	5917	100
13	270	270	195	895	10564	10664	9500	5905	3345	625	920	9626	2959	125	5500	5917	100
14	270	270	195	895	10564	10664	9500	6026	3386	625	920	9626	2959	125	5500	5917	100
15	270	270	195	895	10566	10666	9500	6215	3436	625	920	9626	2959	125	5500	5917	100
16	270	270	195	895	10664	10764	9500	6428	3505	745	1040	9626	2959	125	5500	5917	100
17	270	270	195	895	10664	10764	9500	6560	3548	745	1040	9626	2959	125	5500	5917	100
18	270	270	195	895	10666	10766	9500	6789	3623	745	1040	9626	2959	125	5500	5917	100
19	270	270	195	895	10668	10768	9500	7012	3691	745	1040	9626	2959	125	5500	5917	100
20	270	270	195	895	10764	10864	9500	7152	3736	745	1040	9626	2959	125	5500	5917	100
21	270	270	195	895	10764	10864	9500	7378	3776	745	1040	9626	3209	125	6000	6417	100
22	270	270	195	895	10764	10864	9500	7839	3912	745	1040	9626	3209	125	6000	6417	100
23	270	270	195	895	10864	10964	9500	8385	4073	745	1040	9626	3209	125	6000	6417	100
24	270	270	195	895	10864	10964	9500	8556	4125	745	1040	9626	3209	125	6000	6417	100
25	270	270	195	895	10864	10964	9500	9377	4366	745	1040	9551	3209	125	6000	6417	100
26	270	270	195	895	10864	10964	9500	9571	4424	745	1040	9551	3209	125	6000	6417	100
27	270	270	195	895	10866	10966	9500	10070	4570	745	1040	9551	3209	125	6000	6417	100
28	270	270	195	965	10966	11066	9500	10574	4725	745	1040	9551	3209	125	6000	6417	100
29	270	270	195	965	10966	11066	9500	10791	4787	745	1040	9551	3209	125	6000	6417	100
30	270	270	195	965	11068	11168	9500	11758	5067	745	1040	9551	3256	160	6000	6512	120

© Demag Cranes & Components GmbH

1) Minimum dimension, includes 100 mm clearance

2) Minimum dimension, includes 500 mm clearance

All dimensions in mm (L_{KR} in m).

Weights **max. R** and **G_e** are in kg.

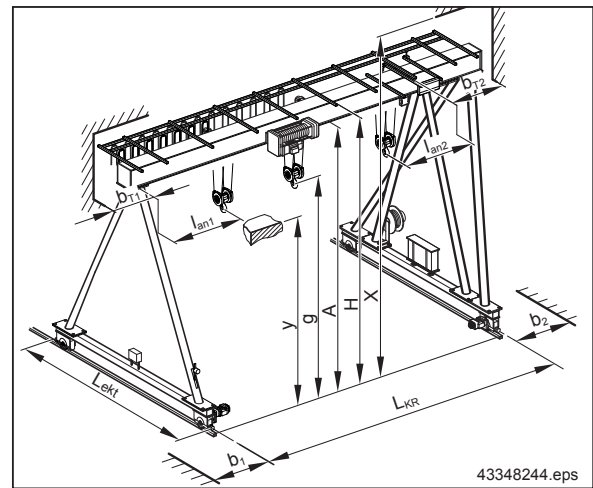
All structural dimensions, approach dimensions and information on the crane runway dimensions are based on the standard design presented in this catalogue. Any deviations must be checked.

20373744.indd0808112

EVPE load capacity 2,5 t

Overall height: A4 m
 Trolley: DFW-P ___ / ___
 Travelling hoist: 1x EKDR 5 - 2,5 2/1 - 20,0 Z - 25

Hook path: 20 m; hoist speed: 12/2 m/min; 18/3 m/min;
 or 1 - 25 m/min infinitely variable;
 cross-travel speed up to 30 m/min infinitely variable



Crane										Travelling hoist			Travel unit				
L _{KR}	b ₁ 1)	b ₂ 1)	b _{T1} 1)	b _{T2} 1)	H	X 1)	y 2)	GG	R _{max}	l _{an1}	l _{an2}	g	l _{an3} /l _{an4}	d	ekt	L _{ekt}	DPZ
4	270	270	140	490	4464	4564	3500	2590	1896	565	1010	3476	2209	125	4000	4417	100
5	270	270	140	490	4464	4564	3500	2699	2001	565	1010	3476	2209	125	4000	4417	100
6	270	270	140	490	4464	4564	3500	2807	2080	565	1010	3476	2209	125	4000	4417	100
7	270	270	140	490	4464	4564	3500	2916	2146	565	1010	3476	2209	125	4000	4417	100
8	270	270	140	490	4464	4564	3500	3023	2201	565	1010	3476	2209	125	4000	4417	100
9	270	270	140	490	4464	4564	3500	3133	2253	565	1010	3476	2209	125	4000	4417	100
10	270	270	140	490	4466	4566	3500	3297	2315	565	1010	3476	2209	125	4000	4417	100
11	270	270	140	490	4466	4566	3500	3412	2361	565	1010	3476	2209	125	4000	4417	100
12	270	270	140	490	4466	4566	3500	3525	2403	565	1010	3476	2209	125	4000	4417	100
13	270	270	140	540	4566	4666	3500	3778	2484	565	1010	3476	2209	125	4000	4417	100
14	270	270	140	540	4566	4666	3500	3901	2526	565	1010	3476	2209	125	4000	4417	100
15	270	270	140	540	4570	4670	3500	4195	2602	565	1010	3480	2209	125	4000	4417	100
16	270	270	140	640	4670	4770	3500	4505	2699	685	1130	3480	2209	125	4000	4417	100
17	270	270	140	640	4670	4770	3500	4651	2745	685	1130	3480	2209	125	4000	4417	100
18	270	270	140	640	4670	4770	3500	4794	2791	685	1130	3480	2209	125	4000	4417	100
19	270	270	140	640	4670	4770	3500	4940	2836	685	1130	3480	2209	125	4000	4417	100
20	270	270	140	740	4770	4870	3500	5324	2952	685	1130	3480	2209	125	4000	4417	100
21	270	270	140	740	4770	4870	3500	5481	2998	685	1130	3480	2209	125	4000	4417	100
22	270	270	140	740	4770	4870	3500	5636	3045	685	1130	3480	2209	125	4000	4417	100
23	270	270	140	740	4770	4870	3500	6182	3200	685	1130	3480	2209	125	4000	4417	100
24	270	270	140	740	4770	4870	3500	6624	3327	685	1130	3480	2209	125	4000	4417	100
25	270	270	195	895	4770	4870	3500	7476	3571	685	1130	3405	2209	125	4000	4417	100
26	270	270	195	895	4870	4970	3500	7977	3712	685	1130	3405	2209	125	4000	4417	100
27	270	270	195	965	4870	4970	3500	8488	3862	685	1130	3405	2209	125	4000	4417	100
28	270	270	195	965	4970	5070	3500	8716	3927	685	1130	3405	2209	125	4000	4417	100
29	270	270	195	965	4976	5076	3500	9896	4256	685	1130	3405	2209	125	4000	4417	100
30	270	270	195	1035	4976	5076	3500	10480	4427	685	1130	3405	2209	125	4000	4417	100

1) Minimum dimension, includes 100 mm clearance
 2) Minimum dimension, includes 500 mm clearance

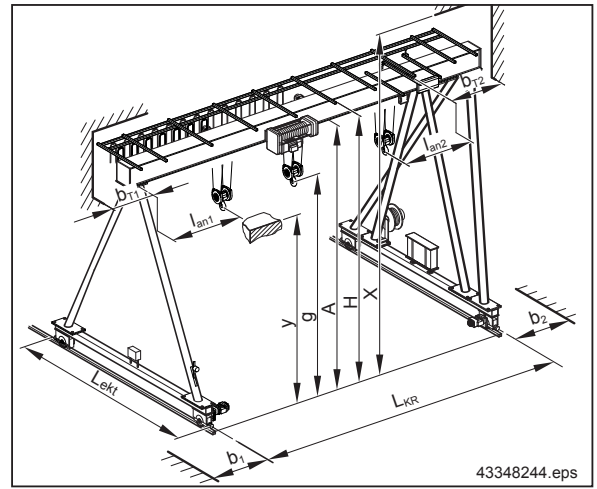
All dimensions in mm (L_{KR} in m).

Weights **max. R** and **G_e** are in kg.

All structural dimensions, approach dimensions and information on the crane runway dimensions are based on the standard design presented in this catalogue. Any deviations must be checked.

EVPE load capacity 2,5 t

Overall height: A6 m
 Trolley: DFW-P ___ / ___
 Travelling hoist: 1x EKDR 5 - 2,5 2/1 - 20,0 Z - 25



Hook path: 20 m; hoist speed: 12/2 m/min; 18/3 m/min;
 or 1 - 25 m/min infinitely variable;
 cross-travel speed up to 30 m/min infinitely variable

Crane										Travelling hoist			Travel unit				
L _{KR}	b ₁ 1)	b ₂ 1)	b _{T1} 1)	b _{T2} 1)	H	X 1)	y 2)	GG	R _{max}	I _{an1}	I _{an2}	g	I _{an3} /I _{an4}	d	ekt	L _{ekt}	DPZ
4	270	270	140	490	6464	6564	5500	2968	2052	565	1010	5476	2709	125	5000	5417	100
5	270	270	140	490	6464	6564	5500	3077	2156	565	1010	5476	2709	125	5000	5417	100
6	270	270	140	490	6464	6564	5500	3185	2236	565	1010	5476	2709	125	5000	5417	100
7	270	270	140	490	6464	6564	5500	3294	2302	565	1010	5476	2709	125	5000	5417	100
8	270	270	140	490	6464	6564	5500	3401	2357	565	1010	5476	2709	125	5000	5417	100
9	270	270	140	490	6464	6564	5500	3511	2409	565	1010	5476	2709	125	5000	5417	100
10	270	270	140	490	6466	6566	5500	3675	2472	565	1010	5476	2709	125	5000	5417	100
11	270	270	140	490	6466	6566	5500	3790	2518	565	1010	5476	2709	125	5000	5417	100
12	270	270	140	490	6466	6566	5500	3903	2561	565	1010	5476	2709	125	5000	5417	100
13	270	270	140	540	6566	6666	5500	4092	2643	565	1010	5476	2459	125	4500	4917	100
14	270	270	140	540	6566	6666	5500	4215	2686	565	1010	5476	2459	125	4500	4917	100
15	270	270	140	540	6570	6670	5500	4509	2764	565	1010	5476	2459	125	4500	4917	100
16	270	270	140	640	6670	6770	5500	4819	2863	685	1130	5480	2459	125	4500	4917	100
17	270	270	140	640	6670	6770	5500	4965	2910	685	1130	5480	2459	125	4500	4917	100
18	270	270	140	640	6670	6770	5500	5108	2956	685	1130	5480	2459	125	4500	4917	100
19	270	270	140	640	6670	6770	5500	5254	3003	685	1130	5480	2459	125	4500	4917	100
20	270	270	140	740	6770	6870	5500	5638	3121	685	1130	5480	2459	125	4500	4917	100
21	270	270	140	740	6770	6870	5500	5795	3167	685	1130	5480	2459	125	4500	4917	100
22	270	270	140	740	6770	6870	5500	5950	3215	685	1130	5480	2459	125	4500	4917	100
23	270	270	140	740	6770	6870	5500	6496	3373	685	1130	5480	2459	125	4500	4917	100
24	270	270	140	740	6770	6870	5500	6667	3426	685	1130	5480	2459	125	4500	4917	100
25	270	270	195	895	6770	6870	5500	7530	3677	685	1130	5405	2459	125	4500	4917	100
26	270	270	195	895	6870	6970	5500	8285	3895	685	1130	5405	2459	125	4500	4917	100
27	270	270	195	895	6870	6970	5500	8506	3959	685	1130	5405	2459	125	4500	4917	100
28	270	270	195	965	6970	7070	5500	9024	4113	685	1130	5405	2459	125	4500	4917	100
29	270	270	195	965	6976	7076	5500	10204	4451	685	1130	5405	2459	125	4500	4917	100
30	270	270	195	965	6976	7076	5500	10464	4526	685	1130	5405	2459	125	4500	4917	100

© Demag Cranes & Components GmbH

1) Minimum dimension, includes 100 mm clearance

2) Minimum dimension, includes 500 mm clearance

All dimensions in mm (L_{kr} in m).

Weights **max. R** and **G_e** are in kg.

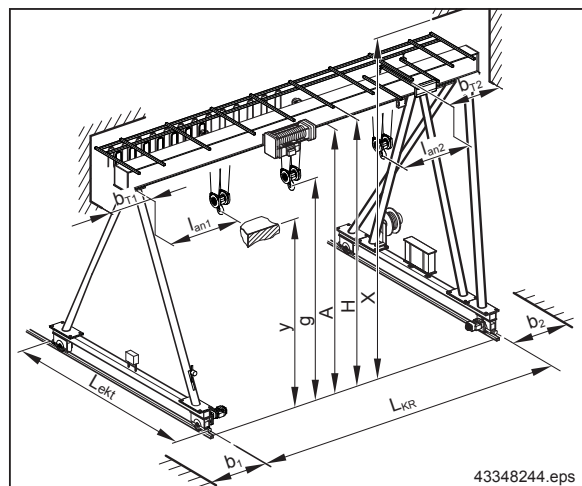
All structural dimensions, approach dimensions and information on the crane runway dimensions are based on the standard design presented in this catalogue. Any deviations must be checked.

20373744.indd0808112

EVPE load capacity 2,5 t

Overall height: A8 m
 Trolley: DFW-P ___ / ___
 Travelling hoist: 1x EKDR 5 - 2,5 2/1 - 20,0 Z - 25

Hook path: 20 m; hoist speed: 12/2 m/min; 18/3 m/min;
 or 1 - 25 m/min infinitely variable;
 cross-travel speed up to 30 m/min infinitely variable



Crane										Travelling hoist			Travel unit				
L _{KR}	b ₁ 1)	b ₂ 1)	b _{T1} 1)	b _{T2} 1)	H	X 1)	y 2)	GG	R _{max}	l _{an1}	l _{an2}	g	l _{an3} /l _{an4}	d	ekt	L _{ekt}	DPZ
4	270	270	195	895	8464	8564	7500	3676	2362	565	1010	7476	2709	125	5000	5417	100
5	270	270	195	895	8464	8564	7500	3785	2467	565	1010	7476	2709	125	5000	5417	100
6	270	270	195	895	8464	8564	7500	3957	2546	565	1010	7476	2959	125	5500	5917	100
7	270	270	195	895	8464	8564	7500	4066	2612	565	1010	7476	2959	125	5500	5917	100
8	270	270	195	895	8464	8564	7500	4174	2668	565	1010	7476	2959	125	5500	5917	100
9	270	270	195	895	8464	8564	7500	4283	2720	565	1010	7476	2959	125	5500	5917	100
10	270	270	195	895	8466	8566	7500	4449	2785	565	1010	7476	2959	125	5500	5917	100
11	270	270	195	895	8466	8566	7500	4500	2834	565	1010	7476	2709	125	5000	5417	100
12	270	270	195	895	8466	8566	7500	4613	2879	565	1010	7476	2709	125	5000	5417	100
13	270	270	195	895	8566	8666	7500	4864	2961	565	1010	7476	2709	125	5000	5417	100
14	270	270	195	895	8566	8666	7500	5050	2999	565	1010	7476	2959	125	5500	5917	100
15	270	270	195	895	8570	8670	7500	5348	3080	565	1010	7480	2959	125	5500	5917	100
16	270	270	195	895	8670	8770	7500	5647	3173	685	1130	7480	2959	125	5500	5917	100
17	270	270	195	895	8670	8770	7500	5729	3226	685	1130	7480	2709	125	5000	5417	100
18	270	270	195	895	8670	8770	7500	5872	3274	685	1130	7480	2709	125	5000	5417	100
19	270	270	195	895	8670	8770	7500	6018	3321	685	1130	7480	2709	125	5000	5417	100
20	270	270	195	895	8770	8870	7500	6453	3424	685	1130	7480	2959	125	5500	5917	100
21	270	270	195	895	8770	8870	7500	6611	3472	685	1130	7480	2959	125	5500	5917	100
22	270	270	195	895	8770	8870	7500	6765	3519	685	1130	7480	2959	125	5500	5917	100
23	270	270	140	740	8770	8870	7500	6496	3373	685	1130	7480	2459	125	4500	4917	100
24	270	270	195	895	8770	8870	7500	7484	3731	685	1130	7480	2959	125	5500	5917	100
25	270	270	195	895	8770	8870	7500	8336	3978	685	1130	7405	2959	125	5500	5917	100
26	270	270	195	895	8870	8970	7500	9091	4197	685	1130	7405	2959	125	5500	5917	100
27	270	270	195	895	8870	8970	7500	9312	4261	685	1130	7405	2959	125	5500	5917	100
28	270	270	195	965	8970	9070	7500	9830	4416	685	1130	7405	2959	125	5500	5917	100
29	270	270	195	965	8976	9076	7500	11010	4757	685	1130	7405	2959	125	5500	5917	100
30	270	270	195	965	8976	9076	7500	11270	4831	685	1130	7405	2959	125	5500	5917	100

1) Minimum dimension, includes 100 mm clearance

2) Minimum dimension, includes 500 mm clearance

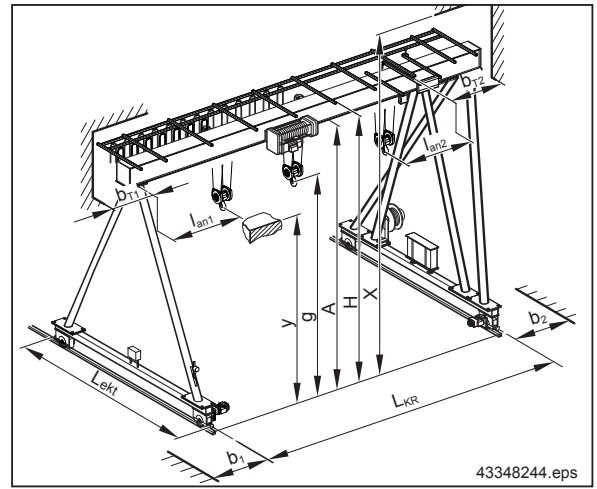
All dimensions in mm (L_{KR} in m).

Weights **max. R** and **G_e** are in kg.

All structural dimensions, approach dimensions and information on the crane runway dimensions are based on the standard design presented in this catalogue. Any deviations must be checked.

EVPE load capacity 2,5 t

Overall height: A10 m
 Trolley: DFW-P ___ / ___
 Travelling hoist: 1x EKDR 5 - 2,5 2/1 - 20,0 Z - 25



Hook path: 20 m; hoist speed: 12/2 m/min; 18/3 m/min;
 or 1 - 25 m/min infinitely variable;
 cross-travel speed up to 30 m/min infinitely variable

Crane										Travelling hoist			Travel unit				
L _{KR}	b ₁ 1)	b ₂ 1)	b _{T1} 1)	b _{T2} 1)	H	X 1)	y 2)	GG	R _{max}	lan1	lan2	g	lan3 / lan4	d	ekt	L _{ekt}	DPZ
4	270	270	195	895	10464	10564	9500	4832	2812	565	1010	9476	2709	125	5000	5417	100
5	270	270	195	895	10464	10564	9500	4941	2918	565	1010	9476	2709	125	5000	5417	100
6	270	270	195	895	10464	10564	9500	5215	2997	565	1010	9476	3209	125	6000	6417	100
7	270	270	195	895	10464	10564	9500	5324	3064	565	1010	9476	3209	125	6000	6417	100
8	270	270	195	895	10464	10564	9500	5432	3120	565	1010	9476	3209	125	6000	6417	100
9	270	270	195	895	10464	10564	9500	5541	3172	565	1010	9476	3209	125	6000	6417	100
10	270	270	195	895	10466	10566	9500	5707	3238	565	1010	9476	3209	125	6000	6417	100
11	270	270	195	895	10466	10566	9500	5822	3284	565	1010	9476	3209	125	6000	6417	100
12	270	270	195	895	10466	10566	9500	5935	3328	565	1010	9476	3209	125	6000	6417	100
13	270	270	195	895	10566	10666	9500	6186	3410	565	1010	9476	3209	125	6000	6417	100
14	270	270	195	895	10566	10666	9500	6308	3453	565	1010	9476	3209	125	6000	6417	100
15	270	270	195	895	10570	10670	9500	6606	3535	565	1010	9480	3209	125	6000	6417	100
16	270	270	195	895	10670	10770	9500	6905	3630	685	1130	9480	3209	125	6000	6417	100
17	270	270	195	895	10670	10770	9500	7051	3677	685	1130	9480	3209	125	6000	6417	100
18	270	270	195	895	10670	10770	9500	7194	3724	685	1130	9480	3209	125	6000	6417	100
19	270	270	195	895	10670	10770	9500	7340	3771	685	1130	9480	3209	125	6000	6417	100
20	270	270	195	895	10770	10870	9500	7711	3884	685	1130	9480	3209	125	6000	6417	100
21	270	270	195	895	10770	10870	9500	7869	3933	685	1130	9480	3209	125	6000	6417	100
22	270	270	195	895	10770	10870	9500	8023	3980	685	1130	9480	3209	125	6000	6417	100
23	270	270	195	895	10770	10870	9500	8571	4144	685	1130	9480	3209	125	6000	6417	100
24	270	270	195	895	10770	10870	9500	8742	4195	685	1130	9480	3209	125	6000	6417	100
25	270	270	195	895	10770	10870	9500	9594	4445	685	1130	9405	3209	125	6000	6417	100
26	270	270	195	895	10870	10970	9500	10349	4668	685	1130	9405	3209	125	6000	6417	100
27	270	270	195	895	10870	10970	9500	10570	4733	685	1130	9405	3209	125	6000	6417	100
28	270	270	195	965	10970	11070	9500	11002	4907	685	1130	9405	2979	125	5500	5957	120
29	270	270	195	965	10976	11076	9500	12292	5283	685	1130	9405	3006	160	5500	6012	120
30	270	270	195	965	10976	11076	9500	12552	5360	685	1130	9405	3006	160	5500	6012	120

© Demag Cranes & Components GmbH

1) Minimum dimension, includes 100 mm clearance

2) Minimum dimension, includes 500 mm clearance

All dimensions in mm (L_{kr} in m).

Weights **max. R** and **G_e** are in kg.

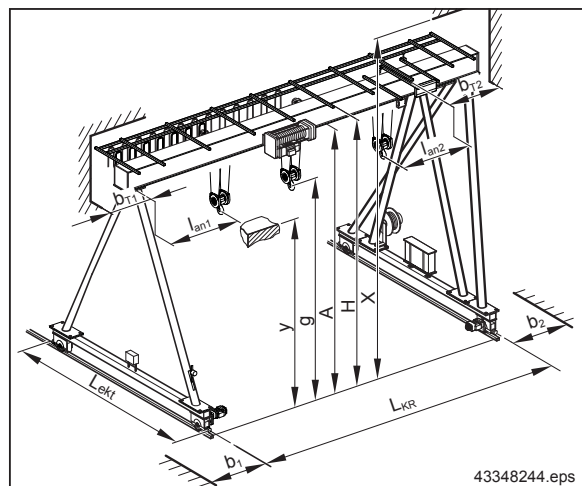
All structural dimensions, approach dimensions and information on the crane runway dimensions are based on the standard design presented in this catalogue. Any deviations must be checked.

20373744.indd0808112

EVPE load capacity 2,5 t

Overall height: **A4 m**
 Trolley: **DFW-P ___ / ___**
 Travelling hoist: **1x EKDR 5 - 2,5 4/2 - 16,3 Z - 25**

Hook path: 16,3 m; hoist speed: 12/2 m/min; 18/3 m/min;
 or 1 - 25 m/min infinitely variable;
 cross-travel speed up to 30 m/min infinitely variable



Crane										Travelling hoist			Travel unit				
L _{KR}	b ₁ 1)	b ₂ 1)	b _{T1} 1)	b _{T2} 1)	H	X 1)	y 2)	GG	R _{max}	l _{an1}	l _{an2}	g	l _{an3} /l _{an4}	d	ekt	L _{ekt}	DPZ
4	270	270	140	490	4460	4560	3500	2685	1959	960	910	3432	2459	125	4500	4917	100
5	270	270	140	490	4460	4560	3500	2785	2056	960	910	3432	2459	125	4500	4917	100
6	270	270	140	490	4460	4560	3500	2808	2118	960	910	3432	2209	125	4000	4417	100
7	270	270	140	490	4460	4560	3500	2907	2177	960	910	3432	2209	125	4000	4417	100
8	270	270	140	490	4460	4560	3500	3005	2229	960	910	3432	2209	125	4000	4417	100
9	270	270	140	490	4464	4564	3500	3197	2303	960	910	3436	2209	125	4000	4417	100
10	270	270	140	490	4464	4564	3500	3304	2347	960	910	3436	2209	125	4000	4417	100
11	270	270	140	490	4464	4564	3500	3414	2390	960	910	3436	2209	125	4000	4417	100
12	270	270	140	540	4564	4664	3500	3663	2472	960	910	3436	2209	125	4000	4417	100
13	270	270	140	540	4564	4664	3500	3783	2512	960	910	3436	2209	125	4000	4417	100
14	270	270	140	540	4564	4664	3500	3901	2553	960	910	3436	2209	125	4000	4417	100
15	270	270	140	540	4566	4666	3500	4090	2600	960	910	3436	2209	125	4000	4417	100
16	270	270	140	640	4664	4764	3500	4315	2673	1080	1030	3436	2209	125	4000	4417	100
17	270	270	140	640	4664	4764	3500	4445	2714	1080	1030	3436	2209	125	4000	4417	100
18	270	270	140	640	4666	4766	3500	4675	2783	1080	1030	3436	2209	125	4000	4417	100
19	270	270	140	640	4668	4768	3500	4897	2849	1080	1030	3436	2209	125	4000	4417	100
20	270	270	140	740	4764	4864	3500	5049	2899	1080	1030	3436	2209	125	4000	4417	100
21	270	270	140	740	4766	4866	3500	5308	2974	1080	1030	3436	2209	125	4000	4417	100
22	270	270	140	740	4768	4868	3500	5576	3052	1080	1030	3436	2209	125	4000	4417	100
23	270	270	140	840	4766	4866	3500	6263	3252	1080	1030	3436	2209	125	4000	4417	100
24	270	270	140	840	4768	4868	3500	6651	3362	1080	1030	3436	2209	125	4000	4417	100
25	270	270	195	895	4864	4964	3500	7201	3517	1080	1030	3336	2209	125	4000	4417	100
26	270	270	195	965	4864	4964	3500	7703	3663	1080	1030	3336	2209	125	4000	4417	100
27	270	270	195	895	4866	4966	3500	8268	3882	1080	1030	3336	2709	125	5000	5417	100
28	270	270	195	965	4964	5064	3500	8487	3951	1080	1030	3336	2709	125	5000	5417	100
29	270	270	195	965	4966	5066	3500	8989	4093	1080	1030	3336	2709	125	5000	5417	100
30	270	270	195	965	4976	5076	3500	10592	4547	1080	1030	3340	2709	125	5000	5417	100

1) Minimum dimension, includes 100 mm clearance

2) Minimum dimension, includes 500 mm clearance

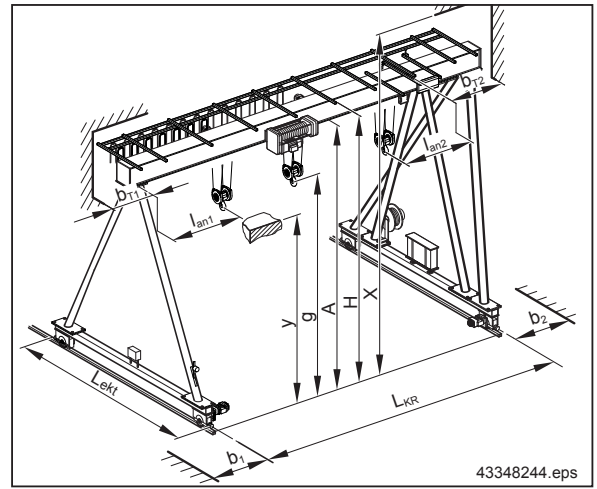
All dimensions in mm (L_{KR} in m).

Weights **max. R** and **G_e** are in kg.

All structural dimensions, approach dimensions and information on the crane runway dimensions are based on the standard design presented in this catalogue. Any deviations must be checked.

EVPE load capacity 2,5 t

Overall height: A6 m
 Trolley: DFW-P ___ / ___
 Travelling hoist: 1x EKDR 5 - 2,5 4/2 - 16,3 Z - 25



Hook path: 16,3 m; hoist speed: 12/2 m/min; 18/3 m/min;
 or 1 - 25 m/min infinitely variable;
 cross-travel speed up to 30 m/min infinitely variable

Crane										Travelling hoist			Travel unit				
L _{KR}	b ₁ 1)	b ₂ 1)	b _{T1} 1)	b _{T2} 1)	H	X 1)	y 2)	GG	R _{max}	I _{an1}	I _{an2}	g	I _{an3} /I _{an4}	d	ekt	L _{ekt}	DPZ
4	270	270	140	490	6460	6560	5500	2989	2105	960	910	5432	2709	125	5000	5417	100
5	270	270	140	490	6460	6560	5500	3089	2202	960	910	5432	2709	125	5000	5417	100
6	270	270	140	490	6460	6560	5500	3186	2274	960	910	5432	2709	125	5000	5417	100
7	270	270	140	490	6460	6560	5500	3285	2333	960	910	5432	2709	125	5000	5417	100
8	270	270	140	490	6460	6560	5500	3383	2386	960	910	5432	2709	125	5000	5417	100
9	270	270	140	490	6464	6564	5500	3575	2460	960	910	5436	2709	125	5000	5417	100
10	270	270	140	490	6464	6564	5500	3682	2505	960	910	5436	2709	125	5000	5417	100
11	270	270	140	490	6464	6564	5500	3792	2547	960	910	5436	2709	125	5000	5417	100
12	270	270	140	540	6564	6664	5500	4041	2630	960	910	5436	2709	125	5000	5417	100
13	270	270	140	540	6564	6664	5500	4161	2672	960	910	5436	2709	125	5000	5417	100
14	270	270	140	540	6564	6664	5500	4279	2713	960	910	5436	2709	125	5000	5417	100
15	270	270	140	540	6566	6666	5500	4468	2761	960	910	5436	2709	125	5000	5417	100
16	270	270	140	640	6664	6764	5500	4693	2833	1080	1030	5436	2709	125	5000	5417	100
17	270	270	140	640	6664	6764	5500	4823	2874	1080	1030	5436	2709	125	5000	5417	100
18	270	270	140	640	6666	6766	5500	5053	2944	1080	1030	5436	2709	125	5000	5417	100
19	270	270	140	640	6668	6768	5500	5275	3011	1080	1030	5436	2709	125	5000	5417	100
20	270	270	140	740	6764	6864	5500	5427	3061	1080	1030	5436	2709	125	5000	5417	100
21	270	270	140	740	6766	6866	5500	5686	3137	1080	1030	5436	2709	125	5000	5417	100
22	270	270	140	740	6768	6868	5500	5954	3216	1080	1030	5436	2709	125	5000	5417	100
23	270	270	140	740	6766	6866	5500	6390	3342	1080	1030	5436	2709	125	5000	5417	100
24	270	270	140	740	6768	6868	5500	6768	3450	1080	1030	5436	2709	125	5000	5417	100
25	270	270	195	895	6864	6964	5500	7573	3684	1080	1030	5336	2709	125	5000	5417	100
26	270	270	195	895	6864	6964	5500	7767	3740	1080	1030	5336	2709	125	5000	5417	100
27	270	270	195	895	6866	6966	5500	8268	3882	1080	1030	5336	2709	125	5000	5417	100
28	270	270	195	965	6964	7064	5500	8487	3951	1080	1030	5336	2709	125	5000	5417	100
29	270	270	195	965	6966	7066	5500	8989	4093	1080	1030	5336	2709	125	5000	5417	100
30	270	270	195	965	6976	7076	5500	10592	4547	1080	1030	5340	2709	125	5000	5417	100

© Demag Cranes & Components GmbH

1) Minimum dimension, includes 100 mm clearance

2) Minimum dimension, includes 500 mm clearance

All dimensions in mm (L_{kr} in m).

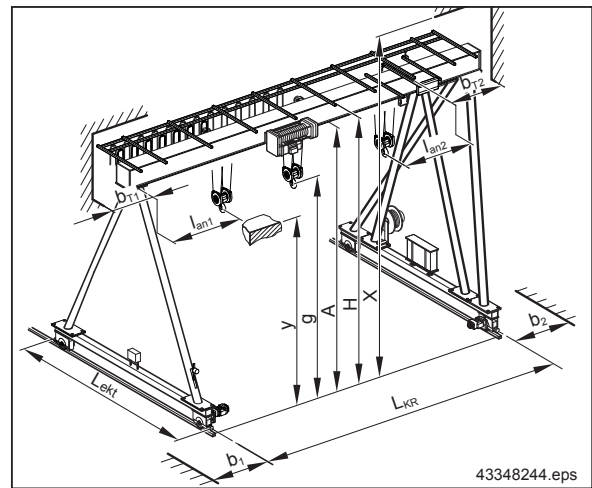
Weights **max. R** and **G_e** are in kg.

All structural dimensions, approach dimensions and information on the crane runway dimensions are based on the standard design presented in this catalogue. Any deviations must be checked.

EVPE load capacity 2,5 t

Overall height: **A8 m**
 Trolley: **DFW-P ___ / ___**
 Travelling hoist: **1x EKDR 5 - 2,5 4/2 - 16,3 Z - 25**

Hook path: 16,3 m; hoist speed: 12/2 m/min; 18/3 m/min;
 or 1 - 25 m/min infinitely variable;
 cross-travel speed up to 30 m/min infinitely variable



Crane										Travelling hoist			Travel unit				
L _{KR}	b ₁ 1)	b ₂ 1)	b _{T1} 1)	b _{T2} 1)	H	X 1)	y 2)	GG	R _{max}	l _{an1}	l _{an2}	g	l _{an3} /l _{an4}	d	ekt	L _{ekt}	DPZ
4	270	270	195	895	8460	8560	7500	3693	2414	960	910	7432	2709	125	5000	5417	100
5	270	270	195	895	8460	8560	7500	3793	2511	960	910	7432	2709	125	5000	5417	100
6	270	270	195	895	8460	8560	7500	3954	2582	960	910	7432	2959	125	5500	5917	100
7	270	270	195	895	8460	8560	7500	4054	2642	960	910	7432	2959	125	5500	5917	100
8	270	270	195	895	8460	8560	7500	4151	2695	960	910	7432	2959	125	5500	5917	100
9	270	270	195	895	8464	8564	7500	4347	2772	960	910	7436	2959	125	5500	5917	100
10	270	270	195	895	8464	8564	7500	4454	2816	960	910	7436	2959	125	5500	5917	100
11	270	270	195	895	8464	8564	7500	4565	2860	960	910	7436	2959	125	5500	5917	100
12	270	270	195	895	8564	8664	7500	4811	2942	960	910	7436	2959	125	5500	5917	100
13	270	270	195	895	8564	8664	7500	4867	2990	960	910	7436	2709	125	5000	5417	100
14	270	270	195	895	8564	8664	7500	5050	3026	960	910	7436	2959	125	5500	5917	100
15	270	270	195	895	8566	8666	7500	5239	3075	960	910	7436	2959	125	5500	5917	100
16	270	270	195	895	8664	8764	7500	5454	3142	1080	1030	7436	2959	125	5500	5917	100
17	270	270	195	895	8664	8764	7500	5584	3185	1080	1030	7436	2959	125	5500	5917	100
18	270	270	195	895	8666	8766	7500	5815	3257	1080	1030	7436	2959	125	5500	5917	100
19	270	270	195	895	8668	8768	7500	6038	3325	1080	1030	7436	2959	125	5500	5917	100
20	270	270	195	895	8764	8864	7500	6176	3368	1080	1030	7436	2959	125	5500	5917	100
21	270	270	195	895	8766	8866	7500	6435	3446	1080	1030	7436	2959	125	5500	5917	100
22	270	270	195	895	8768	8868	7500	6704	3525	1080	1030	7436	2959	125	5500	5917	100
23	270	270	195	895	8766	8866	7500	7142	3655	1080	1030	7436	2959	125	5500	5917	100
24	270	270	195	895	8768	8868	7500	7521	3764	1080	1030	7436	2959	125	5500	5917	100
25	270	270	195	895	8864	8964	7500	8315	3996	1080	1030	7336	2959	125	5500	5917	100
26	270	270	195	895	8864	8964	7500	8509	4053	1080	1030	7336	2959	125	5500	5917	100
27	270	270	195	895	8866	8966	7500	9010	4197	1080	1030	7336	2959	125	5500	5917	100
28	270	270	195	965	8964	9064	7500	9229	4267	1080	1030	7336	2959	125	5500	5917	100
29	270	270	195	965	8966	9066	7500	9731	4411	1080	1030	7336	2979	125	5500	5957	120
30	270	270	195	965	8976	9076	7500	11334	4872	1080	1030	7340	2959	125	5500	5917	100

1) Minimum dimension, includes 100 mm clearance

2) Minimum dimension, includes 500 mm clearance

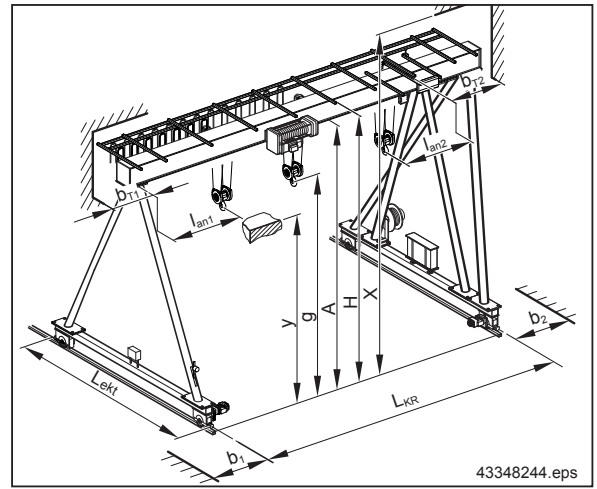
All dimensions in mm (L_{KR} in m).

Weights **max. R** and **G_e** are in kg.

All structural dimensions, approach dimensions and information on the crane runway dimensions are based on the standard design presented in this catalogue. Any deviations must be checked.

EVPE load capacity 2,5 t

Overall height: A10 m
 Trolley: DFW-P ___ / ___
 Travelling hoist: 1x EKDR 5 - 2,5 4/2 - 16,3 Z - 25



Hook path: 16,3 m; hoist speed: 12/2 m/min; 18/3 m/min;
 or 1 - 25 m/min infinitely variable;
 cross-travel speed up to 30 m/min infinitely variable

Crane										Travelling hoist			Travel unit				
L _{KR}	b ₁ 1)	b ₂ 1)	b _{T1} 1)	b _{T2} 1)	H	X 1)	y 2)	GG	R _{max}	l _{an1}	l _{an2}	g	l _{an3} /l _{an4}	d	ekt	L _{ekt}	DPZ
4	270	270	195	895	10460	10560	9500	4849	2865	960	910	9432	2709	125	5000	5417	100
5	270	270	195	895	10460	10560	9500	4949	2963	960	910	9432	2709	125	5000	5417	100
6	270	270	195	895	10460	10560	9500	5212	3034	960	910	9432	3209	125	6000	6417	100
7	270	270	195	895	10460	10560	9500	5312	3093	960	910	9432	3209	125	6000	6417	100
8	270	270	195	895	10460	10560	9500	5409	3147	960	910	9432	3209	125	6000	6417	100
9	270	270	195	895	10464	10564	9500	5605	3224	960	910	9436	3209	125	6000	6417	100
10	270	270	195	895	10464	10564	9500	5712	3270	960	910	9436	3209	125	6000	6417	100
11	270	270	195	895	10464	10564	9500	5823	3314	960	910	9436	3209	125	6000	6417	100
12	270	270	195	895	10564	10664	9500	6069	3397	960	910	9436	3209	125	6000	6417	100
13	270	270	195	895	10564	10664	9500	6189	3439	960	910	9436	3209	125	6000	6417	100
14	270	270	195	895	10564	10664	9500	6308	3481	960	910	9436	3209	125	6000	6417	100
15	270	270	195	895	10566	10666	9500	6497	3531	960	910	9436	3209	125	6000	6417	100
16	270	270	195	895	10664	10764	9500	6712	3600	1080	1030	9436	3209	125	6000	6417	100
17	270	270	195	895	10664	10764	9500	6842	3643	1080	1030	9436	3209	125	6000	6417	100
18	270	270	195	895	10666	10766	9500	7073	3715	1080	1030	9436	3209	125	6000	6417	100
19	270	270	195	895	10668	10768	9500	7296	3784	1080	1030	9436	3209	125	6000	6417	100
20	270	270	195	895	10764	10864	9500	7434	3827	1080	1030	9436	3209	125	6000	6417	100
21	270	270	195	895	10766	10866	9500	7693	3906	1080	1030	9436	3209	125	6000	6417	100
22	270	270	195	895	10768	10868	9500	7962	3987	1080	1030	9436	3209	125	6000	6417	100
23	270	270	195	895	10766	10866	9500	8400	4118	1080	1030	9436	3209	125	6000	6417	100
24	270	270	195	895	10768	10868	9500	8779	4229	1080	1030	9436	3209	125	6000	6417	100
25	270	270	195	895	10864	10964	9500	9573	4464	1080	1030	9336	3209	125	6000	6417	100
26	270	270	195	895	10864	10964	9500	9681	4535	1080	1030	9336	2979	125	5500	5957	120
27	270	270	195	895	10866	10966	9500	10182	4683	1080	1030	9336	2979	125	5500	5957	120
28	270	270	195	965	10964	11064	9500	10401	4754	1080	1030	9336	2979	125	5500	5957	120
29	270	270	195	965	10966	11066	9500	10903	4901	1080	1030	9336	2979	125	5500	5957	120
30	270	270	195	965	10976	11076	9500	12616	5402	1080	1030	9340	3006	160	5500	6012	120

© Demag Cranes & Components GmbH

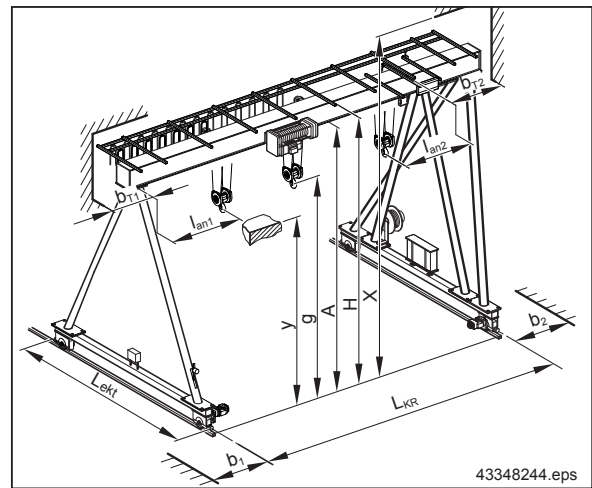
1) Minimum dimension, includes 100 mm clearance
 2) Minimum dimension, includes 500 mm clearance
 All dimensions in mm (L_{kr} in m).
 Weights **max. R** and **G_e** are in kg.

All structural dimensions, approach dimensions and information on the crane runway dimensions are based on the standard design presented in this catalogue. Any deviations must be checked.

EVPE load capacity 3,2 t

Overall height: A4 m
 Trolley: DFW-P ___ / ___
 Travelling hoist: 1x EKDR 3 - 3,2 4/1 - 10,0 Z - 12,5

Hook path: 10 m; hoist speed: 6/1 m/min; 9/1,5 m/min;
 or 0,5 - 12,5 m/min infinitely variable;
 cross-travel speed up to 30 m/min infinitely variable



Crane										Travelling hoist			Travel unit				
L _{KR}	b ₁ 1)	b ₂ 1)	b _{T1} 1)	b _{T2} 1)	H	X 1)	y 2)	GG	R _{max}	l _{an1}	l _{an2}	g	l _{an3} /l _{an4}	d	ekt	L _{ekt}	DPZ
4	270	270	140	490	4464	4564	3500	2394	2186	625	920	3626	1959	125	3500	3917	100
5	270	270	140	490	4464	4564	3500	2501	2297	625	920	3626	1959	125	3500	3917	100
6	270	270	140	490	4464	4564	3500	2675	2382	625	920	3626	2209	125	4000	4417	100
7	270	270	140	490	4464	4564	3500	2784	2450	625	920	3626	2209	125	4000	4417	100
8	270	270	140	490	4464	4564	3500	2827	2510	625	920	3626	1959	125	3500	3917	100
9	270	270	140	490	4466	4566	3500	2988	2558	625	920	3626	1959	125	3500	3917	100
10	270	270	140	490	4466	4566	3500	3101	2607	625	920	3626	1959	125	3500	3917	100
11	270	270	140	490	4466	4566	3500	3216	2655	625	920	3626	1959	125	3500	3917	100
12	270	270	140	540	4566	4666	3500	3455	2737	625	920	3626	1959	125	3500	3917	100
13	270	270	140	540	4566	4666	3500	3580	2782	625	920	3626	1959	125	3500	3917	100
14	270	270	140	540	4570	4670	3500	3799	2878	625	920	3630	1709	125	3000	3417	100
15	270	270	140	540	4572	4672	3500	4003	2931	625	920	3630	1709	125	3000	3417	100
16	270	270	140	640	4670	4770	3500	4243	3011	745	1040	3630	1709	125	3000	3417	100
17	270	270	140	640	4670	4770	3500	4391	3059	745	1040	3630	1709	125	3000	3417	100
18	270	270	140	640	4672	4772	3500	4634	3135	745	1040	3630	1709	125	3000	3417	100
19	270	270	140	740	4770	4870	3500	4908	3223	745	1040	3630	1709	125	3000	3417	100
20	270	270	140	740	4770	4870	3500	5064	3272	745	1040	3630	1709	125	3000	3417	100
21	270	270	140	740	4770	4870	3500	5578	3424	745	1040	3630	1709	125	3000	3417	100
22	270	270	140	740	4770	4870	3500	5747	3475	745	1040	3630	1709	125	3000	3417	100
23	270	270	140	840	4770	4870	3500	6261	3593	745	1040	3630	1959	125	3500	3917	100
24	270	270	195	895	4770	4870	3500	7070	3824	745	1040	3555	1959	125	3500	3917	100
25	270	270	195	895	4870	4970	3500	7563	3964	745	1040	3555	1959	125	3500	3917	100
26	270	270	195	965	4870	4970	3500	8061	4112	745	1040	3555	1959	125	3500	3917	100
27	270	270	195	965	4872	4972	3500	8659	4246	745	1040	3555	2209	125	4000	4417	100
28	270	270	195	1035	4970	5070	3500	8915	4326	745	1040	3555	2209	125	4000	4417	100
29	270	270	195	1035	4970	5070	3500	9372	4469	745	1040	3555	2209	125	4000	4417	100
30	270	270	195	1035	4976	5076	3500	10564	4802	745	1040	3555	2209	125	4000	4417	100

1) Minimum dimension, includes 100 mm clearance
 2) Minimum dimension, includes 500 mm clearance

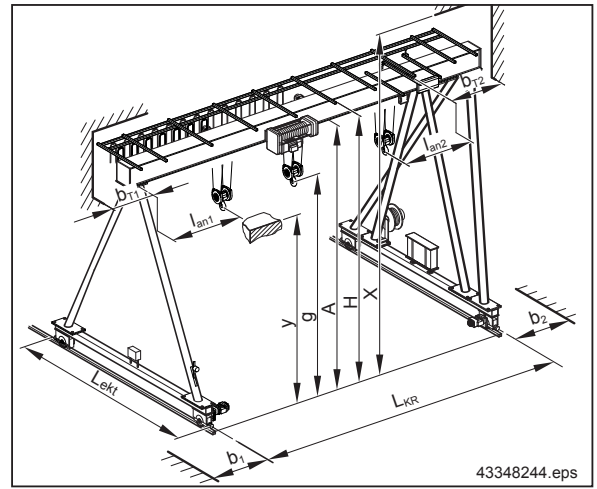
All dimensions in mm (L_{KR} in m).

Weights max. R and G_e are in kg.

All structural dimensions, approach dimensions and information on the crane runway dimensions are based on the standard design presented in this catalogue. Any deviations must be checked.

EVPE load capacity 3,2 t

Overall height: A6 m
 Trolley: DFW-P ___ / ___
 Travelling hoist: 1x EKDR 3 - 3,2 4/1 - 10,0 Z - 12,5



Hook path: 10 m; hoist speed: 6/1 m/min; 9/1,5 m/min;
 or 0,5 - 12,5 m/min infinitely variable;
 cross-travel speed up to 30 m/min infinitely variable

Crane										Travelling hoist			Travel unit				
L _{KR}	b ₁ 1)	b ₂ 1)	b _{T1} 1)	b _{T2} 1)	H	X 1)	y 2)	GG	R _{max}	I _{an1}	I _{an2}	g	I _{an3} /I _{an4}	d	ekt	L _{ekt}	DPZ
4	270	270	140	490	6464	6564	5500	2772	2357	625	920	5626	2459	125	4500	4917	100
5	270	270	140	490	6464	6564	5500	2879	2442	625	920	5626	2459	125	4500	4917	100
6	270	270	140	490	6464	6564	5500	2989	2526	625	920	5626	2459	125	4500	4917	100
7	270	270	140	490	6464	6564	5500	3098	2596	625	920	5626	2459	125	4500	4917	100
8	270	270	140	490	6464	6564	5500	3205	2655	625	920	5626	2459	125	4500	4917	100
9	270	270	140	490	6466	6566	5500	3366	2723	625	920	5626	2459	125	4500	4917	100
10	270	270	140	490	6466	6566	5500	3479	2772	625	920	5626	2459	125	4500	4917	100
11	270	270	140	490	6466	6566	5500	3526	2826	625	920	5626	2209	125	4000	4417	100
12	270	270	140	540	6566	6666	5500	3765	2910	625	920	5626	2209	125	4000	4417	100
13	270	270	140	540	6566	6666	5500	3890	2955	625	920	5626	2209	125	4000	4417	100
14	270	270	140	540	6570	6670	5500	4173	3044	625	920	5630	2209	125	4000	4417	100
15	270	270	140	540	6572	6672	5500	4377	3097	625	920	5630	2209	125	4000	4417	100
16	270	270	140	640	6670	6770	5500	4617	3177	745	1040	5630	2209	125	4000	4417	100
17	270	270	140	640	6670	6770	5500	4765	3226	745	1040	5630	2209	125	4000	4417	100
18	270	270	140	640	6672	6772	5500	5008	3302	745	1040	5630	2209	125	4000	4417	100
19	270	270	140	740	6770	6870	5500	5282	3391	745	1040	5630	2209	125	4000	4417	100
20	270	270	140	740	6770	6870	5500	5438	3439	745	1040	5630	2209	125	4000	4417	100
21	270	270	140	740	6770	6870	5500	5952	3593	745	1040	5630	2209	125	4000	4417	100
22	270	270	140	740	6770	6870	5500	6121	3644	745	1040	5630	2209	125	4000	4417	100
23	270	270	140	740	6770	6870	5500	6294	3697	745	1040	5630	2209	125	4000	4417	100
24	270	270	195	895	6770	6870	5500	7136	3948	745	1040	5555	2209	125	4000	4417	100
25	270	270	195	895	6870	6970	5500	7873	4163	745	1040	5555	2209	125	4000	4417	100
26	270	270	195	895	6870	6970	5500	8091	4229	745	1040	5555	2209	125	4000	4417	100
27	270	270	195	895	6872	6972	5500	8584	4372	745	1040	5555	2209	125	4000	4417	100
28	270	270	195	965	6970	7070	5500	8828	4451	745	1040	5555	2209	125	4000	4417	100
29	270	270	195	965	6970	7070	5500	9370	4627	745	1040	5555	2209	125	4000	4417	100
30	270	270	195	965	6976	7076	5500	10582	4977	745	1040	5555	2209	125	4000	4417	100

© Demag Cranes & Components GmbH

1) Minimum dimension, includes 100 mm clearance
 2) Minimum dimension, includes 500 mm clearance

All dimensions in mm (L_{KR} in m).

Weights **max. R** and **G_e** are in kg.

All structural dimensions, approach dimensions and information on the crane runway dimensions are based on the standard design presented in this catalogue. Any deviations must be checked.

20373744.indd0808112

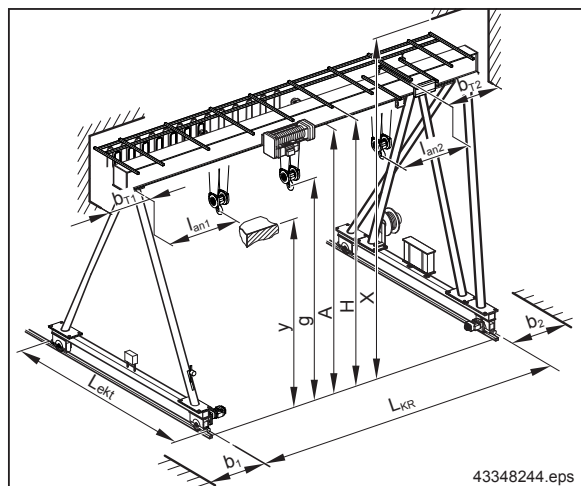
EVPE load capacity 3,2 t

Overall height: A8 m

Trolley: DFW-P ___ / ___

Travelling hoist: 1x EKDR 3 - 3,2 4/1 - 10,0 Z - 12,5

Hook path: 10 m; hoist speed: 6/1 m/min; 9/1,5 m/min; or 0,5 - 12,5 m/min infinitely variable; cross-travel speed up to 30 m/min infinitely variable



Crane										Travelling hoist			Travel unit				
L _{KR}	b ₁ 1)	b ₂ 1)	b _{T1} 1)	b _{T2} 1)	H	X 1)	y 2)	GG	R _{max}	l _{an1}	l _{an2}	g	l _{an3} /l _{an4}	d	ekt	L _{ekt}	DPZ
4	270	270	195	895	8464	8564	7500	3544	2651	625	920	7626	2709	125	5000	5417	100
5	270	270	195	895	8464	8564	7500	3651	2762	625	920	7626	2709	125	5000	5417	100
6	270	270	195	895	8464	8564	7500	3761	2847	625	920	7626	2709	125	5000	5417	100
7	270	270	195	895	8464	8564	7500	3870	2918	625	920	7626	2709	125	5000	5417	100
8	270	270	195	895	8464	8564	7500	3978	2977	625	920	7626	2709	125	5000	5417	100
9	270	270	195	895	8466	8566	7500	4140	3046	625	920	7626	2709	125	5000	5417	100
10	270	270	195	895	8466	8566	7500	4253	3096	625	920	7626	2709	125	5000	5417	100
11	270	270	195	895	8466	8566	7500	4368	3144	625	920	7626	2709	125	5000	5417	100
12	270	270	195	895	8566	8666	7500	4605	3227	625	920	7626	2709	125	5000	5417	100
13	270	270	195	895	8566	8666	7500	4730	3273	625	920	7626	2709	125	5000	5417	100
14	270	270	195	895	8570	8670	7500	5016	3363	625	920	7630	2709	125	5000	5417	100
15	270	270	195	895	8572	8672	7500	5221	3418	625	920	7630	2709	125	5000	5417	100
16	270	270	195	895	8670	8770	7500	5449	3492	745	1040	7630	2709	125	5000	5417	100
17	270	270	195	895	8670	8770	7500	5597	3539	745	1040	7630	2709	125	5000	5417	100
18	270	270	195	895	8672	8772	7500	5841	3617	745	1040	7630	2709	125	5000	5417	100
19	270	270	195	895	8770	8870	7500	6101	3697	745	1040	7630	2709	125	5000	5417	100
20	270	270	195	895	8770	8870	7500	6257	3747	745	1040	7630	2709	125	5000	5417	100
21	270	270	195	895	8770	8870	7500	6772	3901	745	1040	7630	2709	125	5000	5417	100
22	270	270	195	895	8770	8870	7500	6941	3953	745	1040	7630	2709	125	5000	5417	100
23	270	270	195	895	8770	8870	7500	7115	4007	745	1040	7630	2709	125	5000	5417	100
24	270	270	195	895	8770	8870	7500	7940	4249	745	1040	7555	2709	125	5000	5417	100
25	270	270	195	895	8870	8970	7500	8677	4465	745	1040	7555	2709	125	5000	5417	100
26	270	270	195	895	8870	8970	7500	8895	4530	745	1040	7555	2709	125	5000	5417	100
27	270	270	195	895	8872	8972	7500	9388	4674	745	1040	7555	2709	125	5000	5417	100
28	270	270	195	965	8970	9070	7500	9632	4754	745	1040	7555	2709	125	5000	5417	100
29	270	270	195	965	8970	9070	7500	9862	4822	745	1040	7555	2729	125	5000	5457	120
30	270	270	195	1035	8976	9076	7500	11202	5210	745	1040	7555	2756	160	5000	5512	120

1) Minimum dimension, includes 100 mm clearance

2) Minimum dimension, includes 500 mm clearance

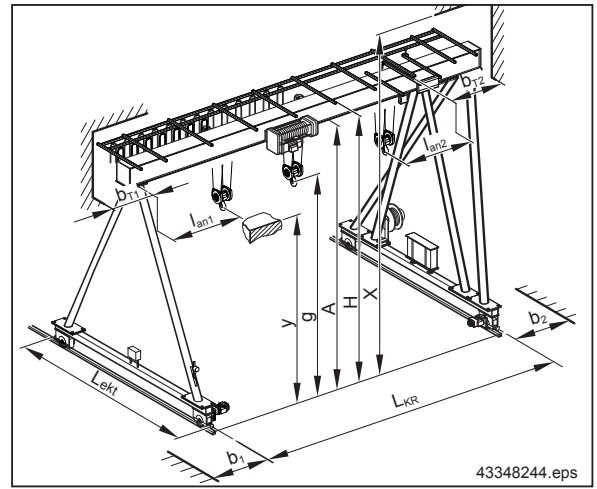
All dimensions in mm (L_{KR} in m).

Weights max. **R** and **G_e** are in kg.

All structural dimensions, approach dimensions and information on the crane runway dimensions are based on the standard design presented in this catalogue. Any deviations must be checked.

EVPE load capacity 3,2 t

Overall height: **A10 m**
 Trolley: **DFW-P ___ / ___**
 Travelling hoist: **1x EKDR 3 - 3,2 4/1 - 10,0 Z - 12,5**



Hook path: 10 m; hoist speed: 6/1 m/min; 9/1,5 m/min;
 or 0,5 - 12,5 m/min infinitely variable;
 cross-travel speed up to 30 m/min infinitely variable

Crane										Travelling hoist			Travel unit				
L _{KR}	b ₁ 1)	b ₂ 1)	b _{T1} 1)	b _{T2} 1)	H	X 1)	y 2)	GG	R _{max}	lan1	lan2	g	lan3 / lan4	d	ekt	L _{ekt}	DPZ
4	270	270	195	895	10464	10564	9500	4700	3111	625	920	9626	2709	125	5000	5417	100
5	270	270	195	895	10464	10564	9500	4807	3223	625	920	9626	2709	125	5000	5417	100
6	270	270	195	895	10464	10564	9500	4917	3308	625	920	9626	2709	125	5000	5417	100
7	270	270	195	895	10464	10564	9500	5026	3379	625	920	9626	2709	125	5000	5417	100
8	270	270	195	895	10464	10564	9500	5214	3431	625	920	9626	2959	125	5500	5917	100
9	270	270	195	895	10466	10566	9500	5376	3500	625	920	9626	2959	125	5500	5917	100
10	270	270	195	895	10466	10566	9500	5489	3552	625	920	9626	2959	125	5500	5917	100
11	270	270	195	895	10466	10566	9500	5604	3599	625	920	9626	2959	125	5500	5917	100
12	270	270	195	895	10566	10666	9500	5841	3684	625	920	9626	2959	125	5500	5917	100
13	270	270	195	895	10566	10666	9500	5966	3730	625	920	9626	2959	125	5500	5917	100
14	270	270	195	895	10570	10670	9500	6252	3821	625	920	9630	2959	125	5500	5917	100
15	270	270	195	895	10572	10672	9500	6457	3877	625	920	9630	2959	125	5500	5917	100
16	270	270	195	895	10670	10770	9500	6685	3952	745	1040	9630	2959	125	5500	5917	100
17	270	270	195	895	10670	10770	9500	6833	4000	745	1040	9630	2959	125	5500	5917	100
18	270	270	195	895	10672	10772	9500	7077	4078	745	1040	9630	2959	125	5500	5917	100
19	270	270	195	895	10770	10870	9500	7337	4160	745	1040	9630	2959	125	5500	5917	100
20	270	270	195	895	10770	10870	9500	7579	4200	745	1040	9630	3209	125	6000	6417	100
21	270	270	195	895	10770	10870	9500	8008	4366	745	1040	9630	2959	125	5500	5917	100
22	270	270	195	895	10770	10870	9500	8177	4419	745	1040	9630	2959	125	5500	5917	100
23	270	270	195	895	10770	10870	9500	8351	4473	745	1040	9630	2959	125	5500	5917	100
24	270	270	195	895	10770	10870	9500	9262	4704	745	1040	9555	3209	125	6000	6417	100
25	270	270	195	895	10870	10970	9500	9999	4921	745	1040	9555	3209	125	6000	6417	100
26	270	270	195	895	10870	10970	9500	10323	5013	745	1040	9555	3236	160	6000	6472	100
27	270	270	195	895	10872	10972	9500	10816	5158	745	1040	9555	3236	160	6000	6472	100
28	270	270	195	965	10970	11070	9500	11060	5236	745	1040	9555	3256	160	6000	6512	120
29	270	270	195	965	10970	11070	9500	11290	5304	745	1040	9555	3236	160	6000	6472	100
30	270	270	195	965	10976	11076	9500	12502	5657	745	1040	9555	3256	160	6000	6512	120

© Demag Cranes & Components GmbH

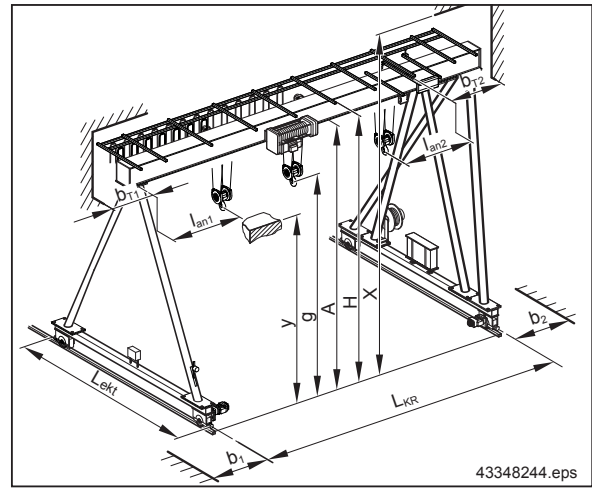
1) Minimum dimension, includes 100 mm clearance
 2) Minimum dimension, includes 500 mm clearance
 All dimensions in mm (L_{kr} in m).
 Weights **max. R** and **G_e** are in kg.

All structural dimensions, approach dimensions and information on the crane runway dimensions are based on the standard design presented in this catalogue. Any deviations must be checked.

EVPE load capacity 3,2 t

Overall height: A4 m
 Trolley: DFW-P ___ / ___
 Travelling hoist: 1x EKDR 5 - 3,2 2/1 - 20,0 Z - 25

Hook path: 20 m; hoist speed: 9/1,5 m/min; 12/2 m/min;
 or 0,8 - 16 m/min infinitely variable;
 cross-travel speed up to 30 m/min infinitely variable



43348244.eps

Crane										Travelling hoist			Travel unit				
L _{KR}	b ₁ 1)	b ₂ 1)	b _{T1} 1)	b _{T2} 1)	H	X 1)	y 2)	GG	R _{max}	l _{an1}	l _{an2}	g	l _{an3} /l _{an4}	d	ekt	L _{ekt}	DPZ
4	270	270	140	490	4464	4564	3500	2590	2188	565	1010	3476	2209	125	4000	4417	100
5	270	270	140	490	4464	4564	3500	2699	2311	565	1010	3476	2209	125	4000	4417	100
6	270	270	140	490	4464	4564	3500	2807	2402	565	1010	3476	2209	125	4000	4417	100
7	270	270	140	490	4464	4564	3500	2916	2460	565	1010	3476	2209	125	4000	4417	100
8	270	270	140	490	4464	4564	3500	3023	2521	565	1010	3476	2209	125	4000	4417	100
9	270	270	140	490	4470	4570	3500	3213	2617	565	1010	3480	1959	125	3500	3917	100
10	270	270	140	490	4470	4570	3500	3336	2673	565	1010	3480	1959	125	3500	3917	100
11	270	270	140	490	4470	4570	3500	3460	2723	565	1010	3480	1959	125	3500	3917	100
12	270	270	140	540	4570	4670	3500	3726	2815	565	1010	3480	1959	125	3500	3917	100
13	270	270	140	540	4570	4670	3500	3861	2864	565	1010	3480	1959	125	3500	3917	100
14	270	270	140	540	4570	4670	3500	3995	2912	565	1010	3480	1959	125	3500	3917	100
15	270	270	140	640	4670	4770	3500	4297	2995	565	1010	3480	1959	125	3500	3917	100
16	270	270	140	640	4670	4770	3500	4377	3054	685	1130	3480	1709	125	3000	3417	100
17	270	270	140	640	4670	4770	3500	4523	3103	685	1130	3480	1709	125	3000	3417	100
18	270	270	140	740	4770	4870	3500	4885	3218	685	1130	3480	1709	125	3000	3417	100
19	270	270	140	740	4770	4870	3500	5106	3255	685	1130	3480	1959	125	3500	3917	100
20	270	270	140	740	4770	4870	3500	5260	3304	685	1130	3480	1959	125	3500	3917	100
21	270	270	140	740	4772	4872	3500	5448	3394	685	1130	3480	1709	125	3000	3417	100
22	270	270	140	740	4770	4870	3500	5881	3523	685	1130	3480	1709	125	3000	3417	100
23	270	270	140	740	4772	4872	3500	6416	3646	685	1130	3480	1959	125	3500	3917	100
24	270	270	140	840	4870	4970	3500	6741	3741	685	1130	3480	1959	125	3500	3917	100
25	270	270	195	895	4870	4970	3500	7695	4013	685	1130	3405	1959	125	3500	3917	100
26	270	270	195	895	4870	4970	3500	8189	4172	685	1130	3405	1959	125	3500	3917	100
27	270	270	195	895	4872	4972	3500	8760	4300	685	1130	3405	2209	125	4000	4417	100
28	270	270	195	965	4970	5070	3500	8812	4309	685	1130	3405	2209	125	4000	4417	100
29	270	270	195	1035	4972	5072	3500	9802	4600	685	1130	3405	2209	125	4000	4417	100
30	270	270	195	1035	4976	5076	3500	10806	4880	685	1130	3405	2256	160	4000	4512	120

1) Minimum dimension, includes 100 mm clearance

2) Minimum dimension, includes 500 mm clearance

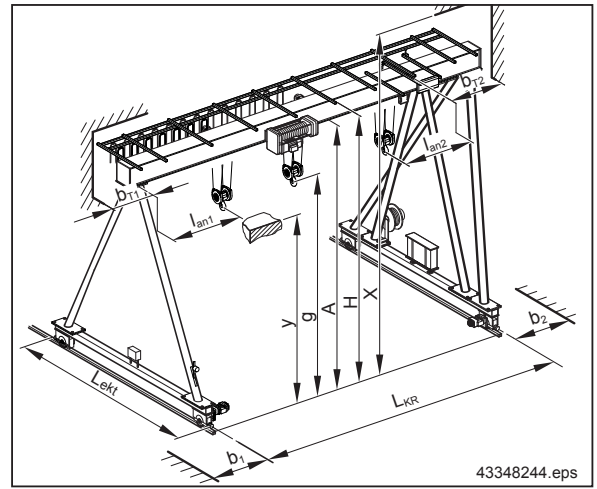
All dimensions in mm (L_{KR} in m).

Weights max. R and G_e are in kg.

All structural dimensions, approach dimensions and information on the crane runway dimensions are based on the standard design presented in this catalogue. Any deviations must be checked.

EVPE load capacity 3,2 t

Overall height: A6 m
 Trolley: DFW-P ___ / ___
 Travelling hoist: 1x EKDR 5 - 3,2 2/1 - 20,0 Z - 25



Hook path: 20 m; hoist speed: 9/1,5 m m/min; 12/2 m/min;
 or 0,8 - 16 m/min infinitely variable;
 cross-travel speed up to 30 m/min infinitely variable

Crane										Travelling hoist			Travel unit				
L _{KR}	b ₁ 1)	b ₂ 1)	b _{T1} 1)	b _{T2} 1)	H	X 1)	y 2)	GG	R _{max}	l _{an1}	l _{an2}	g	l _{an3} /l _{an4}	d	ekt	L _{ekt}	DPZ
4	270	270	140	490	6464	6564	5500	2968	2336	565	1010	5476	2709	125	5000	5417	100
5	270	270	140	490	6464	6564	5500	3077	2458	565	1010	5476	2709	125	5000	5417	100
6	270	270	140	490	6464	6564	5500	3185	2549	565	1010	5476	2709	125	5000	5417	100
7	270	270	140	490	6464	6564	5500	3294	2624	565	1010	5476	2709	125	5000	5417	100
8	270	270	140	490	6464	6564	5500	3401	2685	565	1010	5476	2709	125	5000	5417	100
9	270	270	140	490	6470	6570	5500	3591	2784	565	1010	5480	2459	125	4500	4917	100
10	270	270	140	490	6470	6570	5500	3714	2840	565	1010	5480	2459	125	4500	4917	100
11	270	270	140	490	6470	6570	5500	3838	2892	565	1010	5480	2459	125	4500	4917	100
12	270	270	140	540	6570	6670	5500	4104	2983	565	1010	5480	2459	125	4500	4917	100
13	270	270	140	540	6570	6670	5500	4239	3032	565	1010	5480	2459	125	4500	4917	100
14	270	270	140	540	6570	6670	5500	4373	3081	565	1010	5480	2459	125	4500	4917	100
15	270	270	140	640	6670	6770	5500	4675	3165	565	1010	5480	2459	125	4500	4917	100
16	270	270	140	640	6670	6770	5500	4819	3212	685	1130	5480	2459	125	4500	4917	100
17	270	270	140	640	6670	6770	5500	4965	3262	685	1130	5480	2459	125	4500	4917	100
18	270	270	140	740	6770	6870	5500	5327	3375	685	1130	5480	2459	125	4500	4917	100
19	270	270	140	740	6770	6870	5500	5484	3427	685	1130	5480	2459	125	4500	4917	100
20	270	270	140	740	6770	6870	5500	5638	3476	685	1130	5480	2459	125	4500	4917	100
21	270	270	140	740	6772	6872	5500	5890	3551	685	1130	5480	2459	125	4500	4917	100
22	270	270	140	740	6770	6870	5500	6323	3678	685	1130	5480	2459	125	4500	4917	100
23	270	270	140	740	6772	6872	5500	6636	3807	685	1130	5480	2209	125	4000	4417	100
24	270	270	140	840	6870	6970	5500	7051	3936	685	1130	5480	2209	125	4000	4417	100
25	270	270	195	895	6870	6970	5500	8005	4215	685	1130	5405	2209	125	4000	4417	100
26	270	270	195	895	6870	6970	5500	8223	4279	685	1130	5405	2209	125	4000	4417	100
27	270	270	195	895	6872	6972	5500	8718	4424	685	1130	5405	2229	125	4000	4457	120
28	270	270	195	965	6970	7070	5500	8962	4502	685	1130	5405	2229	125	4000	4457	120
29	270	270	195	965	6972	7072	5500	9832	4773	685	1130	5405	2229	125	4000	4457	120
30	270	270	195	965	6976	7076	5500	10824	5057	685	1130	5405	2256	160	4000	4512	120

© Demag Cranes & Components GmbH

1) Minimum dimension, includes 100 mm clearance

2) Minimum dimension, includes 500 mm clearance

All dimensions in mm (L_{kr} in m).

Weights **max. R** and **G_e** are in kg.

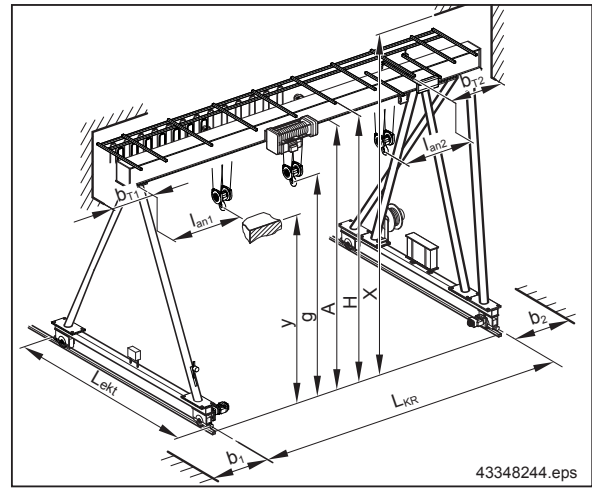
All structural dimensions, approach dimensions and information on the crane runway dimensions are based on the standard design presented in this catalogue. Any deviations must be checked.

20373744.indd0808112

EVPE load capacity 3,2 t

Overall height: A8 m
 Trolley: DFW-P ___ / ___
 Travelling hoist: 1x EKDR 5 - 3,2 2/1 - 20,0 Z - 25

Hook path: 20 m; hoist speed: 9/1,5 m/min; 12/2 m/min;
 or 0,8 - 16 m/min infinitely variable;
 cross-travel speed up to 30 m/min infinitely variable



43348244.eps

Crane										Travelling hoist			Travel unit				
L _{KR}	b ₁ 1)	b ₂ 1)	b _{T1} 1)	b _{T2} 1)	H	X 1)	y 2)	GG	R _{max}	I _{an1}	I _{an2}	g	I _{an3} /I _{an4}	d	ekt	L _{ekt}	DPZ
4	270	270	195	895	8464	8564	7500	3676	2657	565	1010	7476	2709	125	5000	5417	100
5	270	270	195	895	8464	8564	7500	3785	2779	565	1010	7476	2709	125	5000	5417	100
6	270	270	195	895	8464	8564	7500	3957	2868	565	1010	7476	2959	125	5500	5917	100
7	270	270	195	895	8464	8564	7500	4066	2943	565	1010	7476	2959	125	5500	5917	100
8	270	270	195	895	8464	8564	7500	4174	3005	565	1010	7476	2959	125	5500	5917	100
9	270	270	195	895	8470	8570	7500	4368	3111	565	1010	7480	2709	125	5000	5417	100
10	270	270	195	895	8470	8570	7500	4491	3167	565	1010	7480	2709	125	5000	5417	100
11	270	270	195	895	8470	8570	7500	4616	3220	565	1010	7480	2709	125	5000	5417	100
12	270	270	195	895	8570	8670	7500	4878	3311	565	1010	7480	2709	125	5000	5417	100
13	270	270	195	895	8570	8670	7500	5078	3353	565	1010	7480	2959	125	5500	5917	100
14	270	270	195	895	8570	8670	7500	5212	3401	565	1010	7480	2959	125	5500	5917	100
15	270	270	195	895	8670	8770	7500	5503	3480	565	1010	7480	2959	125	5500	5917	100
16	270	270	195	895	8670	8770	7500	5647	3529	685	1130	7480	2959	125	5500	5917	100
17	270	270	195	895	8670	8770	7500	5793	3577	685	1130	7480	2959	125	5500	5917	100
18	270	270	195	895	8770	8870	7500	6142	3684	685	1130	7480	2959	125	5500	5917	100
19	270	270	195	895	8770	8870	7500	6299	3735	685	1130	7480	2959	125	5500	5917	100
20	270	270	195	895	8770	8870	7500	6453	3785	685	1130	7480	2959	125	5500	5917	100
21	270	270	195	895	8772	8872	7500	6706	3860	685	1130	7480	2959	125	5500	5917	100
22	270	270	195	895	8770	8870	7500	7139	3989	685	1130	7480	2959	125	5500	5917	100
23	270	270	195	895	8772	8872	7500	7521	4103	685	1130	7480	2959	125	5500	5917	100
24	270	270	195	895	8870	8970	7500	7919	4220	685	1130	7480	2959	125	5500	5917	100
25	270	270	195	895	8870	8970	7500	8873	4498	685	1130	7405	2959	125	5500	5917	100
26	270	270	195	895	8870	8970	7500	9091	4562	685	1130	7405	2959	125	5500	5917	100
27	270	270	195	895	8872	8972	7500	9522	4728	685	1130	7405	2709	125	5000	5417	100
28	270	270	195	965	8970	9070	7500	9766	4806	685	1130	7405	2729	125	5000	5457	120
29	270	270	195	965	8972	9072	7500	10324	4968	685	1130	7405	2729	125	5000	5457	120
30	270	270	195	1035	8976	9076	7500	11334	5264	685	1130	7405	2756	160	5000	5512	120

1) Minimum dimension, includes 100 mm clearance

2) Minimum dimension, includes 500 mm clearance

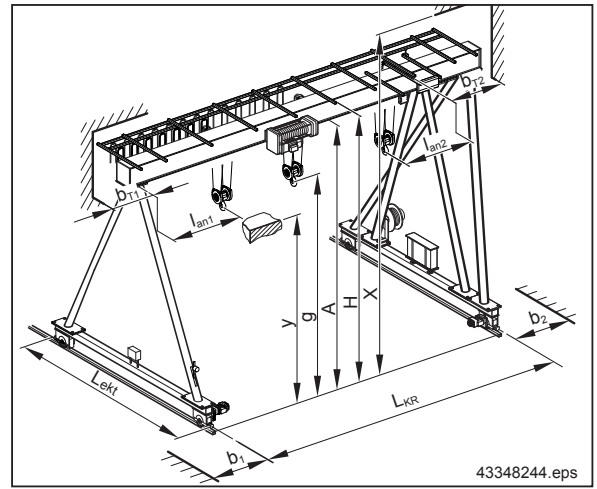
All dimensions in mm (L_{KR} in m).

Weights **max. R** and **G_e** are in kg.

All structural dimensions, approach dimensions and information on the crane runway dimensions are based on the standard design presented in this catalogue. Any deviations must be checked.

EVPE load capacity 3,2 t

Overall height: **A10 m**
 Trolley: **DFW-P ___ / ___**
 Travelling hoist: **1x EKDR 5 - 3,2 2/1 - 20,0 Z - 25**



Hook path: 20 m; hoist speed: 9/1,5 m/min; 12/2 m/min;
 or 0,8 - 16 m/min infinitely variable;
 cross-travel speed up to 30 m/min infinitely variable

Crane										Travelling hoist			Travel unit				
L _{KR}	b ₁ 1)	b ₂ 1)	b _{T1} 1)	b _{T2} 1)	H	X 1)	y 2)	GG	R _{max}	l _{an1}	l _{an2}	g	l _{an3} /l _{an4}	d	ekt	L _{ekt}	DPZ
4	270	270	195	895	10464	10564	9500	4832	3119	565	1010	9476	2709	125	5000	5417	100
5	270	270	195	895	10464	10564	9500	4941	3242	565	1010	9476	2709	125	5000	5417	100
6	270	270	195	895	10464	10564	9500	5215	3326	565	1010	9476	3209	125	6000	6417	100
7	270	270	195	895	10464	10564	9500	5324	3401	565	1010	9476	3209	125	6000	6417	100
8	270	270	195	895	10464	10564	9500	5432	3463	565	1010	9476	3209	125	6000	6417	100
9	270	270	195	895	10470	10570	9500	5604	3567	565	1010	9480	2959	125	5500	5917	100
10	270	270	195	895	10470	10570	9500	5727	3624	565	1010	9480	2959	125	5500	5917	100
11	270	270	195	895	10470	10570	9500	5852	3677	565	1010	9480	2959	125	5500	5917	100
12	270	270	195	895	10570	10670	9500	6200	3764	565	1010	9480	3209	125	6000	6417	100
13	270	270	195	895	10570	10670	9500	6336	3816	565	1010	9480	3209	125	6000	6417	100
14	270	270	195	895	10570	10670	9500	6470	3864	565	1010	9480	3209	125	6000	6417	100
15	270	270	195	895	10670	10770	9500	6675	3949	565	1010	9480	2959	125	5500	5917	100
16	270	270	195	895	10670	10770	9500	6819	4000	685	1130	9480	2959	125	5500	5917	100
17	270	270	195	895	10670	10770	9500	6965	4048	685	1130	9480	2959	125	5500	5917	100
18	270	270	195	895	10770	10870	9500	7400	4151	685	1130	9480	3209	125	6000	6417	100
19	270	270	195	895	10770	10870	9500	7557	4201	685	1130	9480	3209	125	6000	6417	100
20	270	270	195	895	10770	10870	9500	7711	4252	685	1130	9480	3209	125	6000	6417	100
21	270	270	195	895	10772	10872	9500	7964	4329	685	1130	9480	3209	125	6000	6417	100
22	270	270	195	895	10770	10870	9500	8397	4460	685	1130	9480	3209	125	6000	6417	100
23	270	270	195	895	10772	10872	9500	8779	4574	685	1130	9480	3209	125	6000	6417	100
24	270	270	195	895	10870	10970	9500	9177	4693	685	1130	9480	3209	125	6000	6417	100
25	270	270	195	895	10870	10970	9500	10045	4992	685	1130	9405	2979	125	5500	5957	120
26	270	270	195	895	10870	10970	9500	10373	5085	685	1130	9405	3006	160	5500	6012	120
27	270	270	195	895	10872	10972	9500	10782	5260	685	1130	9405	2756	160	5000	5512	120
28	270	270	195	965	10970	11070	9500	11026	5340	685	1130	9405	2756	160	5000	5512	120
29	270	270	195	965	10972	11072	9500	11584	5507	685	1130	9405	2756	160	5000	5512	120
30	270	270	195	965	10976	11076	9500	12466	5772	685	1130	9405	2756	160	5000	5512	120

© Demag Cranes & Components GmbH

1) Minimum dimension, includes 100 mm clearance

2) Minimum dimension, includes 500 mm clearance

All dimensions in mm (L_{Kr} in m).

Weights **max. R** and **G_e** are in kg.

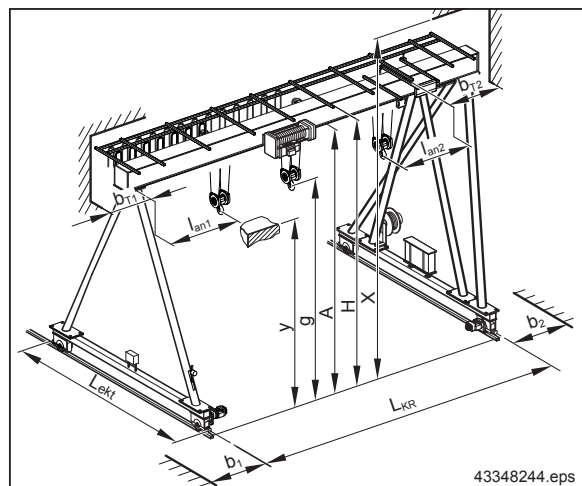
All structural dimensions, approach dimensions and information on the crane runway dimensions are based on the standard design presented in this catalogue. Any deviations must be checked.

20373744.indd0808112

EVPE load capacity 3,2 t

Overall height: A4 m
 Trolley: DFW-P ___ / ___
 Travelling hoist: 1x EKDR 5 - 3,2 4/2 - 9,9 Z - 25

Hook path: 9,9 m; hoist speed: 9/1,5 m m/min; 12/2 m/min;
 or 0,8 - 16 m/min infinitely variable;
 cross-travel speed up to 30 m/min infinitely variable



Crane										Travelling hoist			Travel unit				
L _{KR}	b ₁ 1)	b ₂ 1)	b _{T1} 1)	b _{T2} 1)	H	X 1)	y 2)	GG	R _{max}	l _{an1}	l _{an2}	g	l _{an3} /l _{an4}	d	ekt	L _{ekt}	DPZ
4	270	270	140	490	4460	4560	3500	2653	2310	815	760	3432	2459	125	4500	4917	100
5	270	270	140	490	4460	4560	3500	2751	2410	815	760	3432	2459	125	4500	4917	100
6	270	270	140	490	4464	4564	3500	2839	2494	815	760	3436	2209	125	4000	4417	100
7	270	270	140	490	4464	4564	3500	2946	2540	815	760	3436	2209	125	4000	4417	100
8	270	270	140	490	4464	4564	3500	3055	2594	815	760	3436	2209	125	4000	4417	100
9	270	270	140	490	4464	4564	3500	3163	2645	815	760	3436	2209	125	4000	4417	100
10	270	270	140	490	4464	4564	3500	3270	2690	815	760	3436	2209	125	4000	4417	100
11	270	270	140	540	4564	4664	3500	3446	2772	815	760	3436	1959	125	3500	3917	100
12	270	270	140	540	4564	4664	3500	3565	2815	815	760	3436	1959	125	3500	3917	100
13	270	270	140	540	4566	4666	3500	3746	2875	815	760	3436	1959	125	3500	3917	100
14	270	270	140	540	4568	4668	3500	3948	2940	815	760	3436	1959	125	3500	3917	100
15	270	270	140	640	4664	4764	3500	4091	2976	815	760	3436	1959	125	3500	3917	100
16	270	270	140	640	4666	4766	3500	4310	3043	935	880	3436	1959	125	3500	3917	100
17	270	270	140	640	4668	4768	3500	4457	3120	935	880	3436	1709	125	3000	3417	100
18	270	270	140	740	4764	4864	3500	4608	3174	935	880	3436	1709	125	3000	3417	100
19	270	270	140	740	4766	4866	3500	4858	3248	935	880	3436	1709	125	3000	3417	100
20	270	270	140	740	4764	4864	3500	5245	3329	935	880	3436	1959	125	3500	3917	100
21	270	270	140	740	4766	4866	3500	5528	3449	935	880	3436	1709	125	3000	3417	100
22	270	270	140	740	4768	4868	3500	5886	3554	935	880	3436	1709	125	3000	3417	100
23	270	270	195	895	4864	4964	3500	6115	3590	935	880	3436	1959	125	3500	3917	100
24	270	270	195	895	4864	4964	3500	6558	3734	935	880	3436	1959	125	3500	3917	100
25	270	270	195	895	4864	4964	3500	7381	3968	935	880	3336	1959	125	3500	3917	100
26	270	270	195	895	4866	4966	3500	8013	4157	935	880	3336	1959	125	3500	3917	100
27	270	270	195	965	4964	5064	3500	8164	4165	935	880	3336	2209	125	4000	4417	100
28	270	270	195	965	4966	5066	3500	8656	4303	935	880	3336	2229	125	4000	4457	120
29	270	270	195	1035	4972	5072	3500	9834	4633	935	880	3340	2229	125	4000	4457	120
30	270	270	195	1035	4976	5076	3500	10836	4912	935	880	3340	2256	160	4000	4512	120

1) Minimum dimension, includes 100 mm clearance

2) Minimum dimension, includes 500 mm clearance

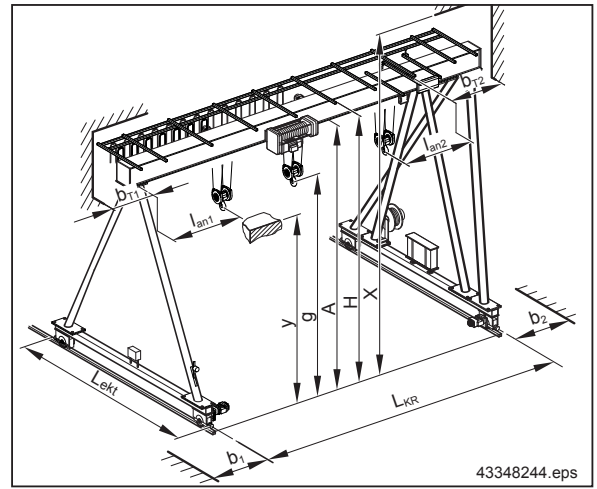
All dimensions in mm (L_{KR} in m).

Weights max. R and G_e are in kg.

All structural dimensions, approach dimensions and information on the crane runway dimensions are based on the standard design presented in this catalogue. Any deviations must be checked.

EVPE load capacity 3,2 t

Overall height: **A6 m**
 Trolley: **DFW-P ___ / ___**
 Travelling hoist: **1x EKDR 5 - 3,2 4/2 - 9,9 Z - 25**



Hook path: 9,9 m; hoist speed: 9/1,5 m/min; 12/2 m/min;
 or 0,8 - 16 m/min infinitely variable;
 cross-travel speed up to 30 m/min infinitely variable

Crane										Travelling hoist			Travel unit				
L _{KR}	b ₁ 1)	b ₂ 1)	b _{T1} 1)	b _{T2} 1)	H	X 1)	y 2)	GG	R _{max}	l _{an1}	l _{an2}	g	l _{an3} /l _{an4}	d	ekt	L _{ekt}	DPZ
4	270	270	140	490	6460	6560	5500	2957	2452	815	760	5432	2709	125	5000	5417	100
5	270	270	140	490	6460	6560	5500	3055	2550	815	760	5432	2709	125	5000	5417	100
6	270	270	140	490	6464	6564	5500	3217	2642	815	760	5436	2709	125	5000	5417	100
7	270	270	140	490	6464	6564	5500	3324	2705	815	760	5436	2709	125	5000	5417	100
8	270	270	140	490	6464	6564	5500	3369	2760	815	760	5436	2459	125	4500	4917	100
9	270	270	140	490	6464	6564	5500	3477	2812	815	760	5436	2459	125	4500	4917	100
10	270	270	140	490	6464	6564	5500	3584	2858	815	760	5436	2459	125	4500	4917	100
11	270	270	140	540	6564	6664	5500	3888	2937	815	760	5436	2709	125	5000	5417	100
12	270	270	140	540	6564	6664	5500	3943	2984	815	760	5436	2459	125	4500	4917	100
13	270	270	140	540	6566	6666	5500	4124	3043	815	760	5436	2459	125	4500	4917	100
14	270	270	140	540	6568	6668	5500	4326	3109	815	760	5436	2459	125	4500	4917	100
15	270	270	140	640	6664	6764	5500	4469	3145	815	760	5436	2459	125	4500	4917	100
16	270	270	140	640	6666	6766	5500	4620	3222	935	880	5436	2209	125	4000	4417	100
17	270	270	140	640	6668	6768	5500	4831	3290	935	880	5436	2209	125	4000	4417	100
18	270	270	140	740	6764	6864	5500	5050	3332	935	880	5436	2459	125	4500	4917	100
19	270	270	140	740	6766	6866	5500	5300	3407	935	880	5436	2459	125	4500	4917	100
20	270	270	140	740	6764	6864	5500	5623	3503	935	880	5436	2459	125	4500	4917	100
21	270	270	140	740	6766	6866	5500	5970	3605	935	880	5436	2459	125	4500	4917	100
22	270	270	140	740	6768	6868	5500	6328	3710	935	880	5436	2459	125	4500	4917	100
23	270	270	195	895	6864	6964	5500	6487	3762	935	880	5436	2459	125	4500	4917	100
24	270	270	195	895	6864	6964	5500	6654	3812	935	880	5436	2459	125	4500	4917	100
25	270	270	195	895	6864	6964	5500	7477	4049	935	880	5336	2459	125	4500	4917	100
26	270	270	195	895	6866	6966	5500	7903	4213	935	880	5336	2209	125	4000	4417	100
27	270	270	195	965	6964	7064	5500	8122	4284	935	880	5336	2209	125	4000	4417	100
28	270	270	195	965	6966	7066	5500	8614	4427	935	880	5336	2229	125	4000	4457	120
29	270	270	195	965	6972	7072	5500	9864	4806	935	880	5340	2229	125	4000	4457	120
30	270	270	195	965	6976	7076	5500	10854	5090	935	880	5340	2256	160	4000	4512	120

© Demag Cranes & Components GmbH

1) Minimum dimension, includes 100 mm clearance
 2) Minimum dimension, includes 500 mm clearance
 All dimensions in mm (L_{kr} in m).
 Weights **max. R** and **G_e** are in kg.

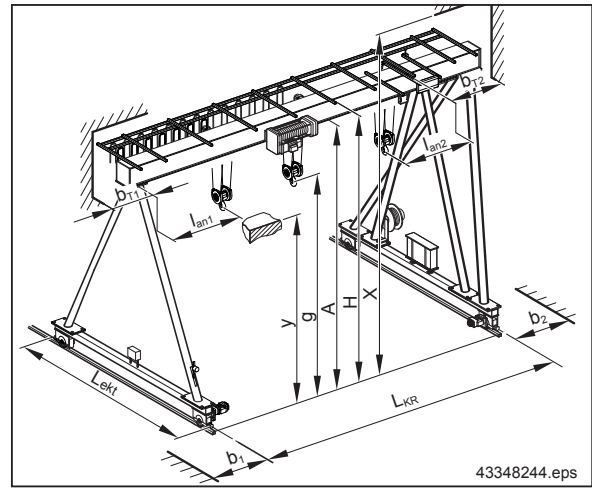
All structural dimensions, approach dimensions and information on the crane runway dimensions are based on the standard design presented in this catalogue. Any deviations must be checked.

20373744.indd0808112

EVPE load capacity 3,2 t

Overall height: A8 m
 Trolley: DFW-P ___ / ___
 Travelling hoist: 1x EKDR 5 - 3,2 4/2 - 9,9 Z - 25

Hook path: 9,9 m; hoist speed: 9/1,5 m m/min; 12/2 m/min;
 or 0,8 - 16 m/min infinitely variable;
 cross-travel speed up to 30 m/min infinitely variable



43348244.eps

Crane										Travelling hoist			Travel unit				
L _{KR}	b ₁ 1)	b ₂ 1)	b _{T1} 1)	b _{T2} 1)	H	X 1)	y 2)	GG	R _{max}	l _{an1}	l _{an2}	g	l _{an3} /l _{an4}	d	ekt	L _{ekt}	DPZ
4	270	270	195	895	8460	8560	7500	3661	2771	815	760	7432	2709	125	5000	5417	100
5	270	270	195	895	8460	8560	7500	3759	2870	815	760	7432	2709	125	5000	5417	100
6	270	270	195	895	8464	8564	7500	3989	2961	815	760	7436	2959	125	5500	5917	100
7	270	270	195	895	8464	8564	7500	4096	3024	815	760	7436	2959	125	5500	5917	100
8	270	270	195	895	8464	8564	7500	4206	3079	815	760	7436	2959	125	5500	5917	100
9	270	270	195	895	8464	8564	7500	4313	3130	815	760	7436	2959	125	5500	5917	100
10	270	270	195	895	8464	8564	7500	4420	3176	815	760	7436	2959	125	5500	5917	100
11	270	270	195	895	8564	8664	7500	4594	3263	815	760	7436	2709	125	5000	5417	100
12	270	270	195	895	8564	8664	7500	4713	3308	815	760	7436	2709	125	5000	5417	100
13	270	270	195	895	8566	8666	7500	4896	3370	815	760	7436	2709	125	5000	5417	100
14	270	270	195	895	8568	8668	7500	5163	3429	815	760	7436	2959	125	5500	5917	100
15	270	270	195	895	8664	8764	7500	5294	3458	815	760	7436	2959	125	5500	5917	100
16	270	270	195	895	8666	8766	7500	5514	3527	935	880	7436	2959	125	5500	5917	100
17	270	270	195	895	8668	8768	7500	5725	3594	935	880	7436	2959	125	5500	5917	100
18	270	270	195	895	8764	8864	7500	5864	3639	935	880	7436	2959	125	5500	5917	100
19	270	270	195	895	8766	8866	7500	6114	3716	935	880	7436	2959	125	5500	5917	100
20	270	270	195	895	8764	8864	7500	6438	3811	935	880	7436	2959	125	5500	5917	100
21	270	270	195	895	8766	8866	7500	6785	3915	935	880	7436	2959	125	5500	5917	100
22	270	270	195	895	8768	8868	7500	7144	4021	935	880	7436	2959	125	5500	5917	100
23	270	270	195	895	8864	8964	7500	7293	4067	935	880	7436	2959	125	5500	5917	100
24	270	270	195	895	8864	8964	7500	7460	4117	935	880	7436	2959	125	5500	5917	100
25	270	270	195	895	8864	8964	7500	8219	4373	935	880	7336	2709	125	5000	5417	100
26	270	270	195	895	8866	8966	7500	8707	4517	935	880	7336	2729	125	5000	5457	120
27	270	270	195	965	8964	9064	7500	8926	4587	935	880	7336	2729	125	5000	5457	120
28	270	270	195	965	8966	9066	7500	9418	4730	935	880	7336	2729	125	5000	5457	120
29	270	270	195	1035	8972	9072	7500	10412	5071	935	880	7340	2506	160	4500	5012	120
30	270	270	195	1105	8976	9076	7500	11312	5342	935	880	7340	2506	160	4500	5012	120

1) Minimum dimension, includes 100 mm clearance

2) Minimum dimension, includes 500 mm clearance

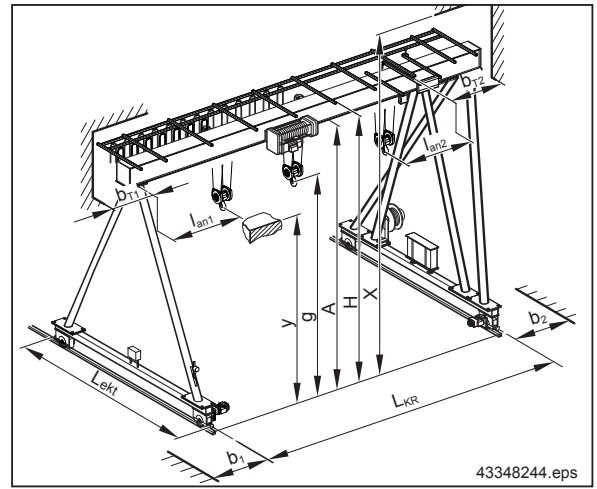
All dimensions in mm (L_{KR} in m).

Weights max. R and G_e are in kg.

All structural dimensions, approach dimensions and information on the crane runway dimensions are based on the standard design presented in this catalogue. Any deviations must be checked.

EVPE load capacity 3,2 t

Overall height: A10 m
 Trolley: DFW-P ___ / ___
 Travelling hoist: 1x EKDR 5 - 3,2 4/2 - 16,3 Z - 25



Hook path: 16,3 m; hoist speed: 9/1,5 m/min; 12/2 m/min;
 or 0,8 - 16 m/min infinitely variable;
 cross-travel speed up to 30 m/min infinitely variable

Crane										Travelling hoist			Travel unit				
L _{KR}	b ₁ 1)	b ₂ 1)	b _{T1} 1)	b _{T2} 1)	H	X 1)	y 2)	GG	R _{max}	l _{an1}	l _{an2}	g	l _{an3} /l _{an4}	d	ekt	L _{ekt}	DPZ
4	270	270	195	895	10460	10560	9500	4849	3179	960	910	9432	2709	125	5000	5417	100
5	270	270	195	895	10460	10560	9500	4949	3293	960	910	9432	2709	125	5000	5417	100
6	270	270	195	895	10464	10564	9500	5279	3389	960	910	9436	3209	125	6000	6417	100
7	270	270	195	895	10464	10564	9500	5388	3459	960	910	9436	3209	125	6000	6417	100
8	270	270	195	895	10464	10564	9500	5496	3520	960	910	9436	3209	125	6000	6417	100
9	270	270	195	895	10464	10564	9500	5605	3576	960	910	9436	3209	125	6000	6417	100
10	270	270	195	895	10464	10564	9500	5626	3628	960	910	9436	2959	125	5500	5917	100
11	270	270	195	895	10564	10664	9500	5864	3714	960	910	9436	2959	125	5500	5917	100
12	270	270	195	895	10564	10664	9500	5983	3761	960	910	9436	2959	125	5500	5917	100
13	270	270	195	895	10566	10666	9500	6250	3820	960	910	9436	3209	125	6000	6417	100
14	270	270	195	895	10568	10668	9500	6453	3889	960	910	9436	3209	125	6000	6417	100
15	270	270	195	895	10664	10764	9500	6584	3920	960	910	9436	3209	125	6000	6417	100
16	270	270	195	895	10666	10766	9500	6718	3998	1080	1030	9436	2959	125	5500	5917	100
17	270	270	195	895	10668	10768	9500	6931	4068	1080	1030	9436	2959	125	5500	5917	100
18	270	270	195	895	10764	10864	9500	7070	4115	1080	1030	9436	2959	125	5500	5917	100
19	270	270	195	895	10766	10866	9500	7404	4183	1080	1030	9436	3209	125	6000	6417	100
20	270	270	195	895	10764	10864	9500	7730	4283	1080	1030	9436	3209	125	6000	6417	100
21	270	270	195	895	10766	10866	9500	8075	4389	1080	1030	9436	3209	125	6000	6417	100
22	270	270	195	895	10768	10868	9500	8350	4509	1080	1030	9436	2959	125	5500	5917	100
23	270	270	195	895	10864	10964	9500	8497	4556	1080	1030	9436	2959	125	5500	5917	100
24	270	270	195	895	10864	10964	9500	8752	4594	1080	1030	9436	3209	125	6000	6417	100
25	270	270	195	895	10864	10964	9500	9487	4853	1080	1030	9336	2979	125	5500	5957	120
26	270	270	195	895	10866	10966	9500	9975	4998	1080	1030	9336	2979	125	5500	5957	120
27	270	270	195	965	10964	11064	9500	10306	5096	1080	1030	9336	3006	160	5500	6012	120
28	270	270	195	965	10966	11066	9500	10710	5271	1080	1030	9336	2756	160	5000	5512	120
29	270	270	195	965	10972	11072	9500	11648	5552	1080	1030	9340	2756	160	5000	5512	120
30	270	270	195	965	10976	11076	9500	12530	5816	1080	1030	9340	2756	160	5000	5512	120

© Demag Cranes & Components GmbH

1) Minimum dimension, includes 100 mm clearance
 2) Minimum dimension, includes 500 mm clearance
 All dimensions in mm (L_{kr} in m).
 Weights **max. R** and **G_e** are in kg.

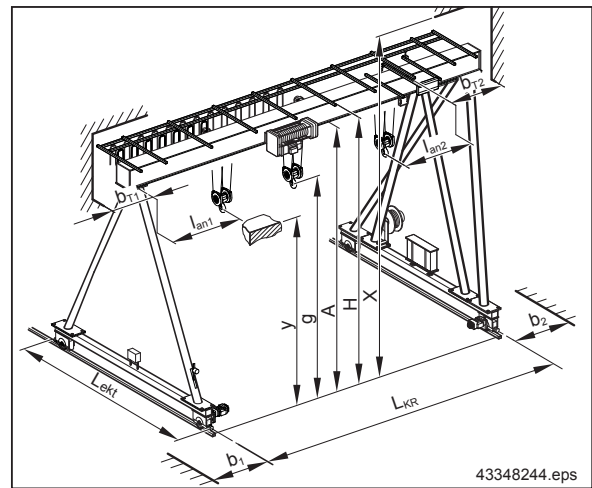
All structural dimensions, approach dimensions and information on the crane runway dimensions are based on the standard design presented in this catalogue. Any deviations must be checked.

20373744.indd0808112

EVPE load capacity 4,0 t

Overall height: A4 m
 Trolley: DFW-P ___ / ___
 Travelling hoist: 1x EKDR 5 - 4,0 4/1 - 10,0 Z - 12,5

Hook path: 10 m; hoist speed: 6/1 m/min; 9/1,5 m/min;
 or 0,5 - 12,5 m/min infinitely variable;
 cross-travel speed up to 30 m/min infinitely variable



43348244.eps

Crane										Travelling hoist			Travel unit				
L _{KR}	b ₁ 1)	b ₂ 1)	b _{T1} 1)	b _{T2} 1)	H	X 1)	y 2)	GG	R _{max}	l _{an1}	l _{an2}	g	l _{an3} /l _{an4}	d	ekt	L _{ekt}	DPZ
4	270	270	140	490	4464	4564	3500	2624	2597	645	930	3576	2209	125	4000	4417	100
5	270	270	140	490	4464	4564	3500	2733	2733	645	930	3576	2209	125	4000	4417	100
6	270	270	140	490	4466	4566	3500	2876	2823	645	930	3576	2209	125	4000	4417	100
7	270	270	140	490	4468	4568	3500	3031	2917	645	930	3580	2209	125	4000	4417	100
8	270	270	140	490	4468	4568	3500	3149	2987	645	930	3580	2209	125	4000	4417	100
9	270	270	140	490	4468	4568	3500	3206	3056	645	930	3580	1959	125	3500	3917	100
10	270	270	140	540	4568	4668	3500	3433	3145	645	930	3580	1959	125	3500	3917	100
11	270	270	140	540	4568	4668	3500	3563	3201	645	930	3580	1959	125	3500	3917	100
12	270	270	140	540	4568	4668	3500	3691	3225	645	930	3580	1959	125	3500	3917	100
13	270	270	140	540	4572	4672	3500	3954	3313	645	930	3580	1959	125	3500	3917	100
14	270	270	140	640	4668	4768	3500	4106	3371	645	930	3580	1959	125	3500	3917	100
15	270	270	140	640	4668	4768	3500	4246	3402	645	930	3580	1959	125	3500	3917	100
16	270	270	140	640	4672	4772	3500	4502	3517	765	1050	3580	1709	125	3000	3417	100
17	270	270	140	740	4768	4868	3500	4668	3578	765	1050	3580	1709	125	3000	3417	100
18	270	270	140	740	4770	4870	3500	4983	3639	765	1050	3580	1959	125	3500	3917	100
19	270	270	140	740	4772	4872	3500	5226	3714	765	1050	3580	1959	125	3500	3917	100
20	270	270	140	740	4770	4870	3500	5570	3856	765	1050	3580	1709	125	3000	3417	100
21	270	270	140	740	4772	4872	3500	5934	3965	765	1050	3580	1709	125	3000	3417	100
22	270	270	140	790	4868	4968	3500	6186	4004	765	1050	3580	1959	125	3500	3917	100
23	270	270	140	790	4870	4970	3500	6577	4119	765	1050	3580	1959	125	3500	3917	100
24	270	270	195	895	4868	4968	3500	7540	4414	765	1050	3455	1959	125	3500	3917	100
25	270	270	195	895	4870	4970	3500	8149	4598	765	1050	3455	1959	125	3500	3917	100
26	270	270	195	895	4872	4972	3500	8631	4735	765	1050	3455	1959	125	3500	3917	100
27	270	270	195	965	4968	5068	3500	8679	4719	765	1050	3455	2209	125	4000	4417	100
28	270	270	195	965	4972	5072	3500	9498	4950	765	1050	3455	2229	125	4000	4457	120
29	270	270	195	965	4976	5076	3500	10472	5220	765	1050	3455	2236	160	4000	4472	100
30	270	270	195	965	4980	5080	3500	11375	5474	765	1050	3455	2236	160	4000	4472	100

1) Minimum dimension, includes 100 mm clearance

2) Minimum dimension, includes 500 mm clearance

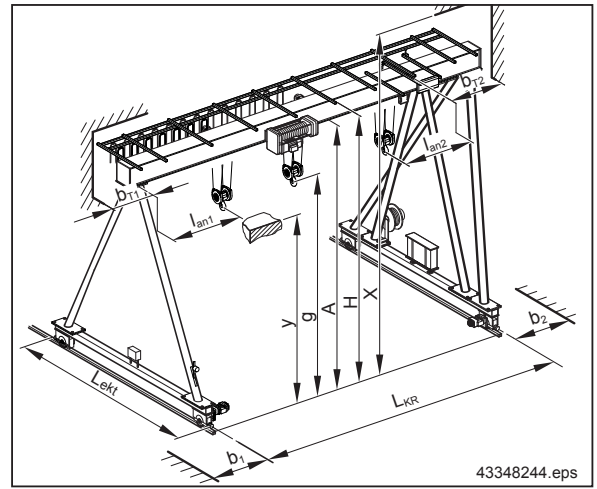
All dimensions in mm (L_{KR} in m).

Weights **max. R** and **G_e** are in kg.

All structural dimensions, approach dimensions and information on the crane runway dimensions are based on the standard design presented in this catalogue. Any deviations must be checked.

EVPE load capacity 4,0 t

Overall height: **A6 m**
 Trolley: **DFW-P ___ / ___**
 Travelling hoist: **1x EKDR 5 - 4,0 4/1 - 10,0 Z - 12,5**



Hook path: 10 m; hoist speed: 6/1 m/min; 9/1,5 m/min;
 or 0,5 - 12,5 m/min infinitely variable;
 cross-travel speed up to 30 m/min infinitely variable

Crane										Travelling hoist			Travel unit				
L _{KR}	b ₁ 1)	b ₂ 1)	b _{T1} 1)	b _{T2} 1)	H	X 1)	y 2)	GG	R _{max}	l _{an1}	l _{an2}	g	l _{an3} /l _{an4}	d	ekt	L _{ekt}	DPZ
4	270	270	140	490	6464	6564	5500	3002	2761	645	930	5576	2709	125	5000	5417	100
5	270	270	140	490	6464	6564	5500	3111	2895	645	930	5576	2709	125	5000	5417	100
6	270	270	140	490	6466	6566	5500	3254	3007	645	930	5576	2709	125	5000	5417	100
7	270	270	195	895	6468	6568	5500	3703	3207	645	930	5580	2459	125	4500	4917	100
8	270	270	195	895	6468	6568	5500	3821	3276	645	930	5580	2459	125	4500	4917	100
9	270	270	195	895	6468	6568	5500	3942	3340	645	930	5580	2459	125	4500	4917	100
10	270	270	195	895	6568	6668	5500	4166	3428	645	930	5580	2459	125	4500	4917	100
11	270	270	195	895	6568	6668	5500	4296	3482	645	930	5580	2459	125	4500	4917	100
12	270	270	195	895	6568	6668	5500	4425	3535	645	930	5580	2459	125	4500	4917	100
13	270	270	195	895	6572	6672	5500	4617	3635	645	930	5580	2209	125	4000	4417	100
14	270	270	195	895	6668	6768	5500	4755	3686	645	930	5580	2209	125	4000	4417	100
15	270	270	195	895	6668	6768	5500	4895	3718	645	930	5580	2209	125	4000	4417	100
16	270	270	195	895	6672	6772	5500	5291	3808	765	1050	5580	2459	125	4500	4917	100
17	270	270	195	895	6768	6868	5500	5442	3859	765	1050	5580	2459	125	4500	4917	100
18	270	270	195	895	6770	6870	5500	5620	3954	765	1050	5580	2209	125	4000	4417	100
19	270	270	195	895	6772	6872	5500	5863	4030	765	1050	5580	2209	125	4000	4417	100
20	270	270	195	895	6770	6870	5500	6347	4138	765	1050	5580	2459	125	4500	4917	100
21	270	270	195	895	6772	6872	5500	6637	4265	765	1050	5580	2209	125	4000	4417	100
22	270	270	195	895	6868	6968	5500	6817	4322	765	1050	5580	2209	125	4000	4417	100
23	270	270	195	895	6870	6970	5500	7282	4420	765	1050	5580	2459	125	4500	4917	100
24	270	270	195	895	6868	6968	5500	7886	4639	765	1050	5455	2209	125	4000	4417	100
25	270	270	195	895	6870	6970	5500	8351	4777	765	1050	5455	2209	125	4000	4417	100
26	270	270	195	895	6872	6972	5500	8833	4917	765	1050	5455	2229	125	4000	4457	120
27	270	270	195	965	6968	7068	5500	8805	4917	765	1050	5455	2229	125	4000	4457	120
28	270	270	195	965	6972	7072	5500	9734	5184	765	1050	5455	2256	160	4000	4512	120
29	270	270	195	965	6976	7076	5500	10598	5436	765	1050	5455	2256	160	4000	4512	120
30	270	270	195	965	6980	7080	5500	11501	5698	765	1050	5455	2256	160	4000	4512	120

© Demag Cranes & Components GmbH

1) Minimum dimension, includes 100 mm clearance

2) Minimum dimension, includes 500 mm clearance

All dimensions in mm (L_{Kr} in m).

Weights **max. R** and **G_e** are in kg.

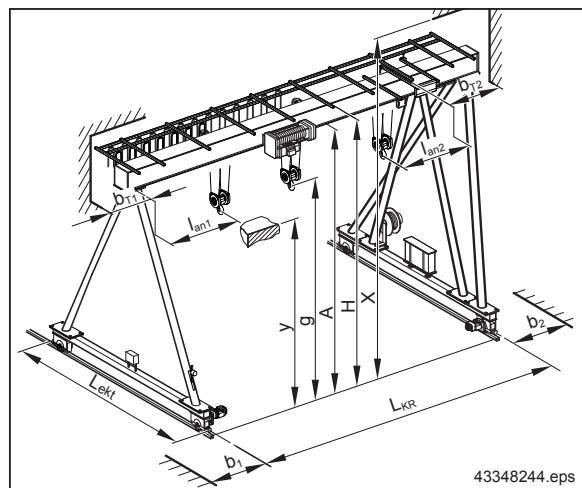
All structural dimensions, approach dimensions and information on the crane runway dimensions are based on the standard design presented in this catalogue. Any deviations must be checked.

20373744.indd0808112

EVPE load capacity 4,0 t

Overall height: **A8 m**
 Trolley: **DFW-P ___ / ___**
 Travelling hoist: **1x EKDR 5 - 4,0 4/1 - 10,0 Z - 12,5**

Hook path: 10 m; hoist speed: 6/1 m/min; 9/1,5 m/min;
 or 0,5 - 12,5 m/min infinitely variable;
 cross-travel speed up to 30 m/min infinitely variable



Crane										Travelling hoist			Travel unit				
L _{KR}	b ₁ 1)	b ₂ 1)	b _{T1} 1)	b _{T2} 1)	H	X 1)	y 2)	GG	R _{max}	l _{an1}	l _{an2}	g	l _{an3} /l _{an4}	d	ekt	L _{ekt}	DPZ
4	270	270	195	895	8464	8564	7500	3710	3066	645	930	7576	2709	125	5000	5417	100
5	270	270	195	895	8464	8564	7500	3819	3200	645	930	7576	2709	125	5000	5417	100
6	270	270	195	895	8466	8566	7500	4028	3305	645	930	7576	2959	125	5500	5917	100
7	270	270	195	895	8468	8568	7500	4185	3401	645	930	7580	2959	125	5500	5917	100
8	270	270	195	895	8468	8568	7500	4303	3470	645	930	7580	2959	125	5500	5917	100
9	270	270	195	895	8468	8568	7500	4424	3534	645	930	7580	2959	125	5500	5917	100
10	270	270	195	895	8568	8668	7500	4584	3632	645	930	7580	2709	125	5000	5417	100
11	270	270	195	895	8568	8668	7500	4714	3688	645	930	7580	2709	125	5000	5417	100
12	270	270	195	895	8568	8668	7500	4843	3741	645	930	7580	2709	125	5000	5417	100
13	270	270	195	895	8572	8672	7500	5173	3818	645	930	7580	2959	125	5500	5917	100
14	270	270	195	895	8668	8768	7500	5311	3870	645	930	7580	2959	125	5500	5917	100
15	270	270	195	895	8668	8768	7500	5451	3902	645	930	7580	2959	125	5500	5917	100
16	270	270	195	895	8672	8772	7500	5709	4018	765	1050	7580	2709	125	5000	5417	100
17	270	270	195	895	8768	8868	7500	5860	4070	765	1050	7580	2709	125	5000	5417	100
18	270	270	195	895	8770	8870	7500	6176	4135	765	1050	7580	2959	125	5500	5917	100
19	270	270	195	895	8772	8872	7500	6419	4211	765	1050	7580	2959	125	5500	5917	100
20	270	270	195	895	8770	8870	7500	6765	4352	765	1050	7580	2709	125	5000	5417	100
21	270	270	195	895	8772	8872	7500	7193	4445	765	1050	7580	2959	125	5500	5917	100
22	270	270	195	895	8868	8968	7500	7373	4502	765	1050	7580	2959	125	5500	5917	100
23	270	270	195	895	8870	8970	7500	7700	4639	765	1050	7580	2709	125	5000	5417	100
24	270	270	195	895	8868	8968	7500	8378	4839	765	1050	7455	2709	125	5000	5417	100
25	270	270	195	895	8870	8970	7500	8843	4977	765	1050	7455	2729	125	5000	5457	120
26	270	270	195	1035	8872	8972	7500	9467	5163	765	1050	7455	2756	160	5000	5512	120
27	270	270	195	1035	8968	9068	7500	9422	5153	765	1050	7455	2756	160	5000	5512	120
28	270	270	195	1035	8972	9072	7500	10689	5611	765	1050	7455	2506	160	4500	5012	120
29	270	270	195	1035	8976	9076	7500	11554	5869	765	1050	7455	2506	160	4500	5012	120
30	270	270	195	1035	8980	9080	7500	12385	6196	765	1050	7455	2256	160	4000	4512	120

1) Minimum dimension, includes 100 mm clearance

2) Minimum dimension, includes 500 mm clearance

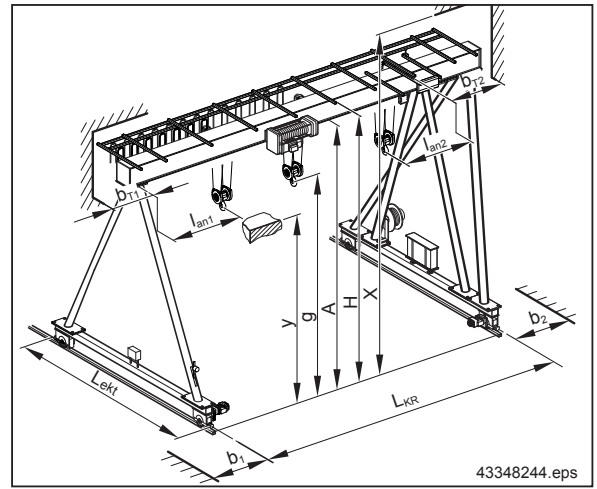
All dimensions in mm (L_{KR} in m).

Weights **max. R** and **G_e** are in kg.

All structural dimensions, approach dimensions and information on the crane runway dimensions are based on the standard design presented in this catalogue. Any deviations must be checked.

EVPE load capacity 4,0 t

Overall height: **A10 m**
 Trolley: **DFW-P ___ / ___**
 Travelling hoist: **1x EKDR 5 - 4,0 4/1 - 10,0 Z - 12,5**



Hook path: 10 m; hoist speed: 6/1 m/min; 9/1,5 m/min;
 or 0,5 - 12,5 m/min infinitely variable;
 cross-travel speed up to 30 m/min infinitely variable

Crane										Travelling hoist			Travel unit				
L _{KR}	b ₁ 1)	b ₂ 1)	b _{T1} 1)	b _{T2} 1)	H	X 1)	y 2)	GG	R _{max}	l _{an1}	l _{an2}	g	l _{an3} /l _{an4}	d	ekt	L _{ekt}	DPZ
4	270	270	195	895	10464	10564	9500	4866	3541	645	930	9576	2709	125	5000	5417	100
5	270	270	195	895	10464	10564	9500	4975	3676	645	930	9576	2709	125	5000	5417	100
6	270	270	195	895	10466	10566	9500	5286	3771	645	930	9576	3209	125	6000	6417	100
7	270	270	195	895	10468	10568	9500	5443	3867	645	930	9580	3209	125	6000	6417	100
8	270	270	195	895	10468	10568	9500	5475	3944	645	930	9580	2959	125	5500	5917	100
9	270	270	195	895	10468	10568	9500	5682	4001	645	930	9580	3209	125	6000	6417	100
10	270	270	195	895	10568	10668	9500	5820	4097	645	930	9580	2959	125	5500	5917	100
11	270	270	195	895	10568	10668	9500	5950	4154	645	930	9580	2959	125	5500	5917	100
12	270	270	195	895	10568	10668	9500	6165	4198	645	930	9580	3209	125	6000	6417	100
13	270	270	195	895	10572	10672	9500	6431	4289	645	930	9580	3209	125	6000	6417	100
14	270	270	195	895	10668	10768	9500	6569	4341	645	930	9580	3209	125	6000	6417	100
15	270	270	195	895	10668	10768	9500	6709	4372	645	930	9580	3209	125	6000	6417	100
16	270	270	195	895	10672	10772	9500	6945	4488	765	1050	9580	2959	125	5500	5917	100
17	270	270	195	895	10768	10868	9500	7096	4541	765	1050	9580	2959	125	5500	5917	100
18	270	270	195	895	10770	10870	9500	7434	4610	765	1050	9580	3209	125	6000	6417	100
19	270	270	195	895	10772	10872	9500	7677	4687	765	1050	9580	3209	125	6000	6417	100
20	270	270	195	895	10770	10870	9500	8087	4812	765	1050	9580	3209	125	6000	6417	100
21	270	270	195	895	10772	10872	9500	8365	4938	765	1050	9580	2959	125	5500	5917	100
22	270	270	195	895	10868	10968	9500	8545	4997	765	1050	9580	2959	125	5500	5917	100
23	270	270	195	895	10870	10970	9500	9128	5125	765	1050	9580	3236	160	6000	6472	100
24	270	270	195	895	10868	10968	9500	9806	5325	765	1050	9455	3256	160	6000	6512	120
25	270	270	195	895	10870	10970	9500	10189	5487	765	1050	9455	3006	160	5500	6012	120
26	270	270	195	895	10872	10972	9500	10671	5630	765	1050	9455	3006	160	5500	6012	120
27	270	270	195	965	10968	11068	9500	10557	5662	765	1050	9455	2756	160	5000	5512	120
28	270	270	195	965	10972	11072	9500	11376	5909	765	1050	9455	2756	160	5000	5512	120
29	270	270	195	1035	10976	11076	9500	12258	6178	765	1050	9455	2756	160	5000	5512	120
30	270	270	195	1035	10980	11080	9500	13163	6450	765	1050	9455	2756	160	5000	5512	120

© Demag Cranes & Components GmbH

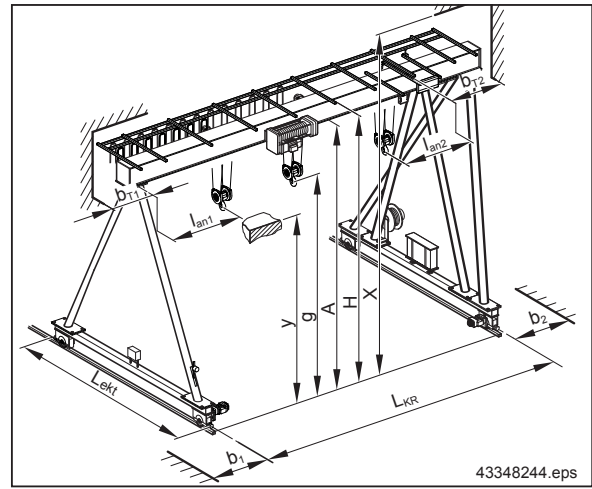
1) Minimum dimension, includes 100 mm clearance
 2) Minimum dimension, includes 500 mm clearance
 All dimensions in mm (L_{KR} in m).
 Weights **max. R** and **G_e** are in kg.

All structural dimensions, approach dimensions and information on the crane runway dimensions are based on the standard design presented in this catalogue. Any deviations must be checked.

EVPE load capacity 5,0 t

Overall height: A4 m
 Trolley: DFW-P ___ / ___
 Travelling hoist: 1x EKDR 5 - 5,0 4/1 - 10,0 Z - 12,5

Hook path: 10 m; hoist speed: 6/1 m/min; 9/1,5 m/min;
 or 0,5 - 12,5 m/min infinitely variable;
 cross-travel speed up to 30 m/min infinitely variable



Crane										Travelling hoist			Travel unit				
L _{KR}	b ₁ 1)	b ₂ 1)	b _{T1} 1)	b _{T2} 1)	H	X 1)	y 2)	GG	R _{max}	l _{an1}	l _{an2}	g	l _{an3} /l _{an4}	d	ekt	L _{ekt}	DPZ
4	270	270	140	490	4464	4564	3500	2624	3032	645	930	3576	2209	125	4000	4417	100
5	270	270	140	490	4464	4564	3500	2733	3192	645	930	3576	2209	125	4000	4417	100
6	270	270	140	490	4464	4564	3500	2841	3285	645	930	3576	2209	125	4000	4417	100
7	270	270	140	490	4464	4564	3500	2950	3375	645	930	3576	2209	125	4000	4417	100
8	270	270	140	490	4464	4564	3500	3057	3451	645	930	3576	2209	125	4000	4417	100
9	270	270	140	490	4468	4568	3500	3206	3562	645	930	3576	1959	125	3500	3917	100
10	270	270	140	540	4564	4664	3500	3330	3627	645	930	3576	1959	125	3500	3917	100
11	270	270	140	540	4566	4666	3500	3500	3669	645	930	3576	1959	125	3500	3917	100
12	270	270	140	640	4664	4764	3500	3704	3750	645	930	3576	1959	125	3500	3917	100
13	270	270	140	640	4666	4766	3500	3908	3825	645	930	3576	1959	125	3500	3917	100
14	270	270	140	640	4668	4768	3500	4106	3895	645	930	3576	1959	125	3500	3917	100
15	270	270	140	740	4764	4864	3500	4260	3933	645	930	3576	1959	125	3500	3917	100
16	270	270	140	740	4766	4866	3500	4489	3975	765	1050	3576	1959	125	3500	3917	100
17	270	270	140	740	4772	4872	3500	4906	4103	765	1050	3580	1959	125	3500	3917	100
18	270	270	140	740	4776	4876	3500	5269	4216	765	1050	3580	1959	125	3500	3917	100
19	270	270	195	895	4870	4970	3500	5480	4289	765	1050	3580	1959	125	3500	3917	100
20	270	270	195	895	4868	4968	3500	5763	4419	765	1050	3580	1709	125	3000	3417	100
21	270	270	195	895	4870	4970	3500	6232	4566	765	1050	3580	1709	125	3000	3417	100
22	270	270	195	895	4872	4972	3500	6801	4745	765	1050	3580	1709	125	3000	3417	100
23	270	270	195	895	4870	4970	3500	7566	4919	765	1050	3455	1959	125	3500	3917	100
24	270	270	195	895	4872	4972	3500	8139	5082	765	1050	3455	1986	160	3500	3972	100
25	270	270	195	965	4970	5070	3500	8385	5161	765	1050	3455	1986	160	3500	3972	100
26	270	270	195	965	4970	5070	3500	8751	5275	765	1050	3455	1986	160	3500	3972	100
27	270	270	195	965	4972	5072	3500	9369	5411	765	1050	3455	2236	160	4000	4472	100
28	270	270	195	965	4976	5076	3500	10210	5647	765	1050	3455	2236	160	4000	4472	100
29	270	270	195	1035	5072	5172	3500	10018	5593	765	1050	3455	2236	160	4000	4472	100
30	270	270	195	1035	5076	5176	3500	11056	5896	765	1050	3455	2236	160	4000	4472	100

1) Minimum dimension, includes 100 mm clearance

2) Minimum dimension, includes 500 mm clearance

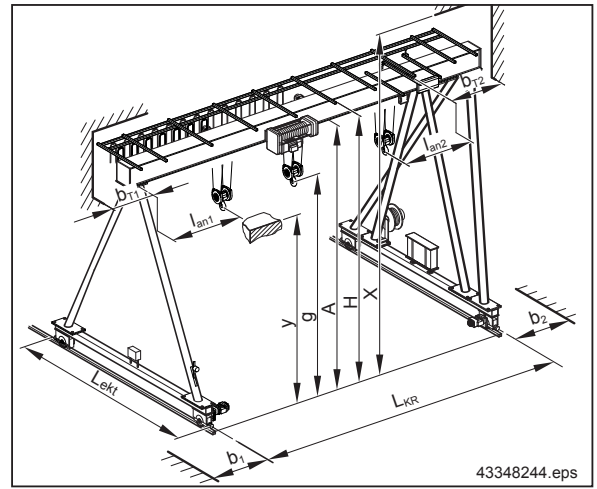
All dimensions in mm (L_{KR} in m).

Weights max. R and G_e are in kg.

All structural dimensions, approach dimensions and information on the crane runway dimensions are based on the standard design presented in this catalogue. Any deviations must be checked.

EVPE load capacity 5,0 t

Overall height: **A6 m**
 Trolley: **DFW-P ___ / ___**
 Travelling hoist: **1x EKDR 5 - 5,0 4/1 - 10,0 Z - 12,5**



Hook path: 10 m; hoist speed: 6/1 m/min; 9/1,5 m/min;
 or 0,5 - 12,5 m/min infinitely variable;
 cross-travel speed up to 30 m/min infinitely variable

Crane										Travelling hoist			Travel unit				
L _{KR}	b ₁ 1)	b ₂ 1)	b _{T1} 1)	b _{T2} 1)	H	X 1)	y 2)	GG	R _{max}	l _{an1}	l _{an2}	g	l _{an3} /l _{an4}	d	ekt	L _{ekt}	DPZ
4	270	270	195	895	6464	6564	5500	3292	3364	645	930	5576	2459	125	4500	4917	100
5	270	270	195	895	6464	6564	5500	3401	3524	645	930	5576	2459	125	4500	4917	100
6	270	270	195	895	6464	6564	5500	3509	3601	645	930	5576	2459	125	4500	4917	100
7	270	270	195	895	6464	6564	5500	3618	3691	645	930	5576	2459	125	4500	4917	100
8	270	270	195	895	6464	6564	5500	3726	3768	645	930	5576	2459	125	4500	4917	100
9	270	270	195	895	6468	6568	5500	3942	3867	645	930	5576	2459	125	4500	4917	100
10	270	270	195	895	6564	6664	5500	4060	3929	645	930	5576	2459	125	4500	4917	100
11	270	270	195	895	6566	6666	5500	4232	4002	645	930	5576	2459	125	4500	4917	100
12	270	270	195	895	6664	6764	5500	4425	4078	645	930	5576	2459	125	4500	4917	100
13	270	270	195	895	6666	6766	5500	4556	4123	645	930	5576	2209	125	4000	4417	100
14	270	270	195	895	6668	6768	5500	4755	4193	645	930	5576	2209	125	4000	4417	100
15	270	270	195	895	6764	6864	5500	4895	4225	645	930	5576	2209	125	4000	4417	100
16	270	270	195	895	6766	6866	5500	5199	4286	765	1050	5576	2459	125	4500	4917	100
17	270	270	195	895	6772	6872	5500	5617	4415	765	1050	5580	2459	125	4500	4917	100
18	270	270	195	895	6776	6876	5500	5908	4549	765	1050	5580	2209	125	4000	4417	100
19	270	270	195	895	6870	6970	5500	6176	4594	765	1050	5580	2459	125	4500	4917	100
20	270	270	195	895	6868	6968	5500	6455	4723	765	1050	5580	2209	125	4000	4417	100
21	270	270	195	895	6870	6970	5500	6828	4838	765	1050	5580	2209	125	4000	4417	100
22	270	270	195	895	6872	6972	5500	7291	4930	765	1050	5580	2459	125	4500	4917	100
23	270	270	195	895	6870	6970	5500	8022	5188	765	1050	5455	2236	160	4000	4472	100
24	270	270	195	895	6872	6972	5500	8485	5328	765	1050	5455	2236	160	4000	4472	100
25	270	270	195	965	6970	7070	5500	8805	5377	765	1050	5455	2486	160	4500	4972	100
26	270	270	195	965	6970	7070	5500	9033	5444	765	1050	5455	2486	160	4500	4972	100
27	270	270	195	965	6972	7072	5500	9495	5635	765	1050	5455	2236	160	4000	4472	100
28	270	270	195	965	6976	7076	5500	10336	5880	765	1050	5455	2256	160	4000	4512	120
29	270	270	195	1035	7072	7172	5500	10288	5875	765	1050	5455	2256	160	4000	4512	120
30	270	270	195	1035	7076	7176	5500	11182	6137	765	1050	5455	2256	160	4000	4512	120

© Demag Cranes & Components GmbH

1) Minimum dimension, includes 100 mm clearance
 2) Minimum dimension, includes 500 mm clearance

All dimensions in mm (L_{Kr} in m).

Weights **max. R** and **G_e** are in kg.

All structural dimensions, approach dimensions and information on the crane runway dimensions are based on the standard design presented in this catalogue. Any deviations must be checked.

20373744.indd0808112

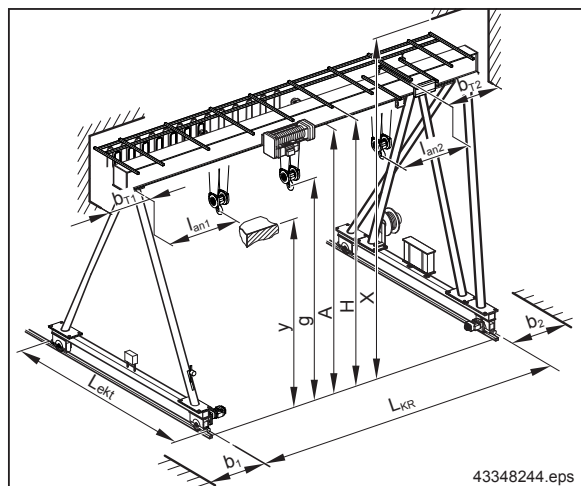
EVPE load capacity 5,0 t

Overall height: A8 m

Trolley: DFW-P ___ / ___

Travelling hoist: 1x EKDR 5 - 5,0 4/1 - 10,0 Z - 12,5

Hook path: 10 m; hoist speed: 6/1 m/min; 9/1,5 m/min;
or 0,5 - 12,5 m/min infinitely variable;
cross-travel speed up to 30 m/min infinitely variable



43348244.eps

Crane										Travelling hoist			Travel unit				
L _{KR}	b ₁ 1)	b ₂ 1)	b _{T1} 1)	b _{T2} 1)	H	X 1)	y 2)	GG	R _{max}	l _{an1}	l _{an2}	g	l _{an3} /l _{an4}	d	ekt	L _{ekt}	DPZ
4	270	270	195	895	8464	8564	7500	3710	3551	645	930	7576	2709	125	5000	5417	100
5	270	270	195	895	8464	8564	7500	3819	3710	645	930	7576	2709	125	5000	5417	100
6	270	270	195	895	8464	8564	7500	3991	3811	645	930	7576	2959	125	5500	5917	100
7	270	270	195	895	8464	8564	7500	4100	3901	645	930	7576	2959	125	5500	5917	100
8	270	270	195	895	8464	8564	7500	4208	3977	645	930	7576	2959	125	5500	5917	100
9	270	270	195	895	8468	8568	7500	4424	4078	645	930	7576	2959	125	5500	5917	100
10	270	270	195	895	8564	8664	7500	4478	4102	645	930	7576	2709	125	5000	5417	100
11	270	270	195	895	8566	8666	7500	4650	4175	645	930	7576	2709	125	5000	5417	100
12	270	270	195	895	8664	8764	7500	4843	4252	645	930	7576	2709	125	5000	5417	100
13	270	270	195	895	8666	8766	7500	5112	4311	645	930	7576	2959	125	5500	5917	100
14	270	270	195	895	8668	8768	7500	5311	4381	645	930	7576	2959	125	5500	5917	100
15	270	270	195	895	8764	8864	7500	5451	4411	645	930	7576	2959	125	5500	5917	100
16	270	270	195	895	8766	8866	7500	5681	4489	765	1050	7576	2959	125	5500	5917	100
17	270	270	195	895	8772	8872	7500	6099	4619	765	1050	7580	2959	125	5500	5917	100
18	270	270	195	895	8776	8876	7500	6464	4734	765	1050	7580	2959	125	5500	5917	100
19	270	270	195	895	8870	8970	7500	6658	4798	765	1050	7580	2959	125	5500	5917	100
20	270	270	195	895	8868	8968	7500	6947	4929	765	1050	7580	2709	125	5000	5417	100
21	270	270	195	895	8870	8970	7500	7946	5251	765	1050	7580	2736	160	5000	5472	100
22	270	270	195	895	8872	8972	7500	8335	5371	765	1050	7580	2736	160	5000	5472	100
23	270	270	195	895	8870	8970	7500	9030	5576	765	1050	7455	2736	160	5000	5472	100
24	270	270	195	895	8872	8972	7500	9493	5716	765	1050	7455	2736	160	5000	5472	100
25	270	270	195	965	8970	9070	7500	9669	5834	765	1050	7455	2506	160	4500	5012	120
26	270	270	195	965	8970	9070	7500	9897	5903	765	1050	7455	2506	160	4500	5012	120
27	270	270	195	965	8972	9072	7500	10433	6065	765	1050	7455	2506	160	4500	5012	120
28	270	270	195	965	8976	9076	7500	11274	6314	765	1050	7455	2506	160	4500	5012	120
29	270	270	195	1035	9072	9172	7500	11226	6309	765	1050	7455	2506	160	4500	5012	120
30	270	270	195	1035	9076	9176	7500	12046	6640	765	1050	7455	2256	160	4000	4512	120

1) Minimum dimension, includes 100 mm clearance

2) Minimum dimension, includes 500 mm clearance

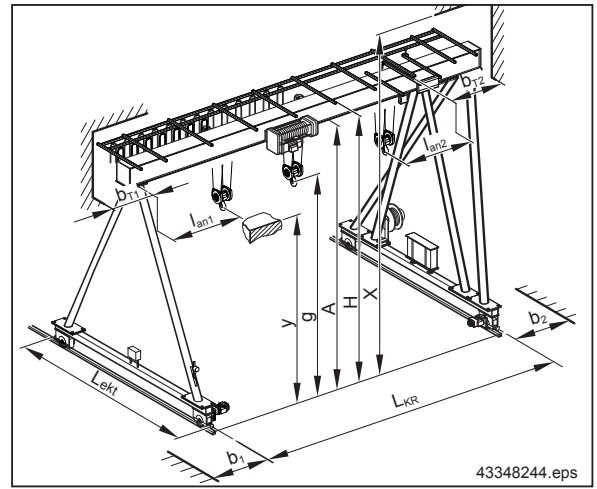
All dimensions in mm (L_{KR} in m).

Weights **max. R** and **G_e** are in kg.

All structural dimensions, approach dimensions and information on the crane runway dimensions are based on the standard design presented in this catalogue. Any deviations must be checked.

EVPE load capacity 5,0 t

Overall height: **A10 m**
 Trolley: **DFW-P ___ / ___**
 Travelling hoist: **1x EKDR 5 - 5,0 4/1 - 10,0 Z - 12,5**



Hook path: 10 m; hoist speed: 6/1 m/min; 9/1,5 m/min;
 or 0,5 - 12,5 m/min infinitely variable;
 cross-travel speed up to 30 m/min infinitely variable

Crane										Travelling hoist			Travel unit				
L _{KR}	b ₁ 1)	b ₂ 1)	b _{T1} 1)	b _{T2} 1)	H	X 1)	y 2)	GG	R _{max}	l _{an1}	l _{an2}	g	l _{an3} /l _{an4}	d	ekt	L _{ekt}	DPZ
4	270	270	195	895	10464	10564	9500	4866	3988	645	930	9576	2709	125	5000	5417	100
5	270	270	195	895	10464	10564	9500	4975	4147	645	930	9576	2709	125	5000	5417	100
6	270	270	195	895	10464	10564	9500	5249	4237	645	930	9576	3209	125	6000	6417	100
7	270	270	195	895	10464	10564	9500	5358	4327	645	930	9576	3209	125	6000	6417	100
8	270	270	195	895	10464	10564	9500	5466	4403	645	930	9576	3209	125	6000	6417	100
9	270	270	195	895	10468	10568	9500	5682	4504	645	930	9576	3209	125	6000	6417	100
10	270	270	195	895	10564	10664	9500	5714	4578	645	930	9576	2959	125	5500	5917	100
11	270	270	195	895	10566	10666	9500	5886	4651	645	930	9576	2959	125	5500	5917	100
12	270	270	195	895	10664	10764	9500	6165	4714	645	930	9576	3209	125	6000	6417	100
13	270	270	195	895	10666	10766	9500	6370	4790	645	930	9576	3209	125	6000	6417	100
14	270	270	195	895	10668	10768	9500	6569	4862	645	930	9576	3209	125	6000	6417	100
15	270	270	195	895	10764	10864	9500	6709	4891	645	930	9576	3209	125	6000	6417	100
16	270	270	195	895	10766	10866	9500	6939	4970	765	1050	9576	3209	125	6000	6417	100
17	270	270	195	895	10772	10872	9500	7463	5130	765	1050	9580	3236	160	6000	6472	100
18	270	270	195	895	10776	10876	9500	7828	5245	765	1050	9580	3236	160	6000	6472	100
19	270	270	195	895	10870	10970	9500	8022	5311	765	1050	9580	3236	160	6000	6472	100
20	270	270	195	895	10868	10968	9500	8375	5420	765	1050	9580	3236	160	6000	6472	100
21	270	270	195	895	10870	10970	9500	8748	5535	765	1050	9580	3236	160	6000	6472	100
22	270	270	195	895	10872	10972	9500	9137	5654	765	1050	9580	3236	160	6000	6472	100
23	270	270	195	895	10870	10970	9500	9832	5861	765	1050	9455	3256	160	6000	6512	120
24	270	270	195	965	10872	10972	9500	10228	6037	765	1050	9455	3006	160	5500	6012	120
25	270	270	195	965	10970	11070	9500	10459	6109	765	1050	9455	3006	160	5500	6012	120
26	270	270	195	965	10970	11070	9500	10769	6149	765	1050	9455	3256	160	6000	6512	120
27	270	270	195	965	10972	11072	9500	11305	6309	765	1050	9455	3256	160	6000	6512	120
28	270	270	195	1035	10976	11076	9500	12164	6566	765	1050	9455	3256	160	6000	6512	120
29	270	270	195	1035	11072	11172	9500	12098	6551	765	1050	9455	3256	160	6000	6512	120
30	270	270	195	1105	11076	11176	9500	13010	6825	765	1050	9455	3256	160	6000	6512	120

© Demag Cranes & Components GmbH

1) Minimum dimension, includes 100 mm clearance

2) Minimum dimension, includes 500 mm clearance

All dimensions in mm (L_{KR} in m).

Weights **max. R** and **G_e** are in kg.

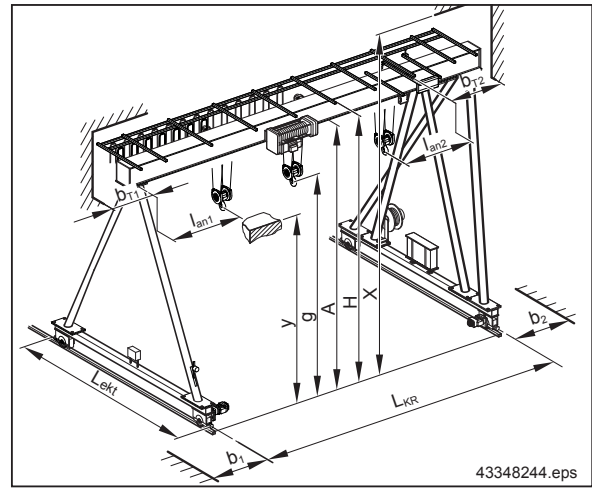
All structural dimensions, approach dimensions and information on the crane runway dimensions are based on the standard design presented in this catalogue. Any deviations must be checked.

20373744.indd0808112

EVPE load capacity 5,0 t

Overall height: **A4 m**
 Trolley: **DFW-P ___ / ___**
 Travelling hoist: **1x EKDR 10 - 5,0 2/1 - 20,0 Z - 25**

Hook path: 20 m; hoist speed: 10/1,7 m/min;
 1 - 18 m/min or 1 - 25 m/min infinitely variable;
 cross-travel speed up to 30 m/min infinitely variable



43348244.eps

Crane										Travelling hoist			Travel unit				
L_{KR}	b_1)	b_2)	b_{T1})	b_{T2})	H	X 1)	y 2)	GG	R_{max}	l_{an1}	l_{an2}	g	l_{an3}/l_{an4}	d	ekt	L_{ekt}	DPZ
4	270	270	140	540	4464	4564	3500	2893	2940	580	1125	3336	2459	125	4500	4917	100
5	270	270	140	590	4464	4564	3500	3006	3133	580	1125	3336	2459	125	4500	4917	100
6	270	270	140	590	4464	4564	3500	3115	3271	580	1125	3336	2459	125	4500	4917	100
7	270	270	140	640	4464	4564	3500	3154	3382	580	1125	3336	2209	125	4000	4417	100
8	270	270	140	640	4468	4568	3500	3354	3496	580	1125	3340	2209	125	4000	4417	100
9	270	270	140	690	4568	4668	3500	3575	3581	580	1125	3340	2209	125	4000	4417	100
10	270	270	140	690	4568	4668	3500	3703	3652	580	1125	3340	2209	125	4000	4417	100
11	270	270	140	690	4570	4670	3500	3899	3736	580	1125	3340	2209	125	4000	4417	100
12	270	270	140	690	4668	4768	3500	4086	3814	580	1125	3340	2209	125	4000	4417	100
13	270	270	140	740	4668	4768	3500	4171	3889	580	1125	3340	1959	125	3500	3917	100
14	270	270	140	740	4672	4772	3500	4470	3992	580	1125	3340	1959	125	3500	3917	100
15	270	270	140	740	4676	4776	3500	4840	4027	580	1125	3340	2209	125	4000	4417	100
16	270	270	140	790	4770	4870	3500	4933	4070	700	1245	3340	2209	125	4000	4417	100
17	270	270	140	790	4772	4872	3500	5104	4158	700	1245	3340	1959	125	3500	3917	100
18	270	270	140	790	4776	4876	3500	5466	4274	700	1245	3340	1959	125	3500	3917	100
19	270	270	140	840	4870	4970	3500	5668	4344	700	1245	3340	1959	125	3500	3917	100
20	270	270	140	890	4876	4976	3500	6169	4497	700	1245	3340	1959	125	3500	3917	100
21	270	270	140	890	4876	4976	3500	6356	4556	700	1245	3340	1959	125	3500	3917	100
22	270	270	140	890	4872	4972	3500	6794	4687	700	1245	3340	1959	125	3500	3917	100
23	270	270	140	890	4876	4976	3500	7494	4887	700	1245	3340	1986	160	3500	3972	100
24	270	270	140	890	4970	5070	3500	7329	4847	700	1245	3340	1986	160	3500	3972	100
25	270	270	195	965	4970	5070	3500	8297	5129	700	1245	3215	1986	160	3500	3972	100
26	270	270	195	965	4970	5070	3500	8615	5228	700	1245	3215	2006	160	3500	4012	120
27	270	270	195	965	4972	5072	3500	9223	5362	700	1245	3215	2256	160	4000	4512	120
28	270	270	195	945	5070	5170	3500	9456	5432	700	1245	3215	2256	160	4000	4512	120
29	270	270	195	965	5076	5176	3500	10619	5760	700	1245	3215	2256	160	4000	4512	120
30	270	270	195	965	5080	5180	3500	11534	6018	700	1245	3215	2256	160	4000	4512	120

1) Minimum dimension, includes 100 mm clearance

2) Minimum dimension, includes 500 mm clearance

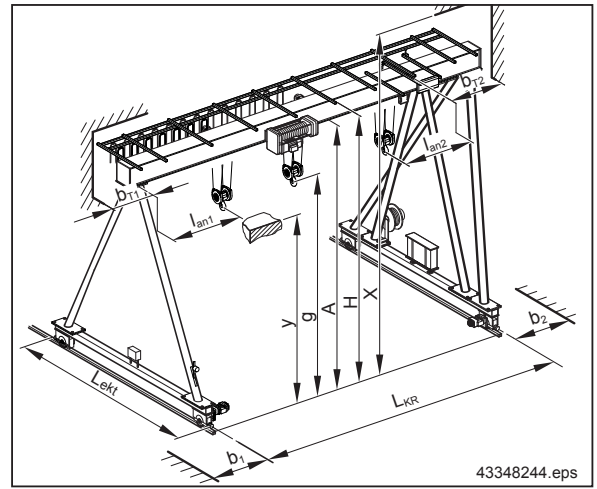
All dimensions in mm (L_{KR} in m).

Weights **max. R** and **G_e** are in kg.

All structural dimensions, approach dimensions and information on the crane runway dimensions are based on the standard design presented in this catalogue. Any deviations must be checked.

EVPE load capacity 5,0 t

Overall height: **A6 m**
 Trolley: **DFW-P ___ / ___**
 Travelling hoist: **1x EKDR 10 - 5,0 2/1 - 20,0 Z - 25**



Hook path: 20 m; hoist speed: 10/1,7 m/min;
 1 - 18 m/min or 1 - 25 m/min infinitely variable;
 cross-travel speed up to 30 m/min infinitely variable

Crane										Travelling hoist			Travel unit				
L _{KR}	b ₁ 1)	b ₂ 1)	b _{T1} 1)	b _{T2} 1)	H	X 1)	y 2)	GG	R _{max}	I _{an1}	I _{an2}	g	I _{an3} /I _{an4}	d	ekt	L _{ekt}	DPZ
4	270	270	140	540	6464	6564	5500	3197	3154	580	1125	5336	2709	125	5000	5417	100
5	270	270	140	590	6464	6564	5500	3310	3348	580	1125	5336	2709	125	5000	5417	100
6	270	270	140	590	6464	6564	5500	3419	3486	580	1125	5336	2709	125	5000	5417	100
7	270	270	140	640	6464	6564	5500	3532	3560	580	1125	5336	2709	125	5000	5417	100
8	270	270	140	640	6468	6568	5500	3796	3668	580	1125	5340	2959	125	5500	5917	100
9	270	270	140	690	6568	6668	5500	4017	3776	580	1125	5340	2959	125	5500	5917	100
10	270	270	140	690	6568	6668	5500	4081	3856	580	1125	5340	2709	125	5000	5417	100
11	270	270	140	690	6570	6670	5500	4277	3941	580	1125	5340	2709	125	5000	5417	100
12	270	270	140	690	6668	6768	5500	4464	4019	580	1125	5340	2709	125	5000	5417	100
13	270	270	140	740	6668	6768	5500	4549	4053	580	1125	5340	2459	125	4500	4917	100
14	270	270	140	740	6672	6772	5500	4912	4143	580	1125	5340	2709	125	5000	5417	100
15	270	270	140	740	6676	6776	5500	5218	4222	580	1125	5340	2709	125	5000	5417	100
16	270	270	140	790	6770	6870	5500	5311	4264	700	1245	5340	2709	125	5000	5417	100
17	270	270	140	790	6772	6872	5500	5482	4356	700	1245	5340	2459	125	4500	4917	100
18	270	270	140	790	6776	6876	5500	5908	4459	700	1245	5340	2709	125	5000	5417	100
19	270	270	140	840	6870	6970	5500	6110	4527	700	1245	5340	2709	125	5000	5417	100
20	270	270	140	890	6876	6976	5500	6611	4680	700	1245	5340	2709	125	5000	5417	100
21	270	270	140	890	6876	6976	5500	6798	4740	700	1245	5340	2709	125	5000	5417	100
22	270	270	140	940	6872	6972	5500	7246	4876	700	1245	5340	2709	125	5000	5417	100
23	270	270	195	965	6876	6976	5500	8120	5232	700	1245	5340	2236	160	4000	4472	100
24	270	270	195	965	6970	7070	5500	7955	5189	700	1245	5340	2236	160	4000	4472	100
25	270	270	195	965	6970	7070	5500	8993	5444	700	1245	5215	2486	160	4500	4972	100
26	270	270	195	965	6970	7070	5500	9147	5545	700	1245	5215	2256	160	4000	4512	120
27	270	270	195	965	6972	7072	5500	9685	5705	700	1245	5215	2256	160	4000	4512	120
28	270	270	195	965	7070	7170	5500	9922	5780	700	1245	5215	2256	160	4000	4512	120
29	270	270	195	965	7076	7176	5500	11081	6118	700	1245	5215	2256	160	4000	4512	120
30	270	270	195	965	7080	7180	5500	11996	6384	700	1245	5215	2256	160	4000	4512	120

© Demag Cranes & Components GmbH

1) Minimum dimension, includes 100 mm clearance

2) Minimum dimension, includes 500 mm clearance

All dimensions in mm (L_{kr} in m).

Weights **max. R** and **G_e** are in kg.

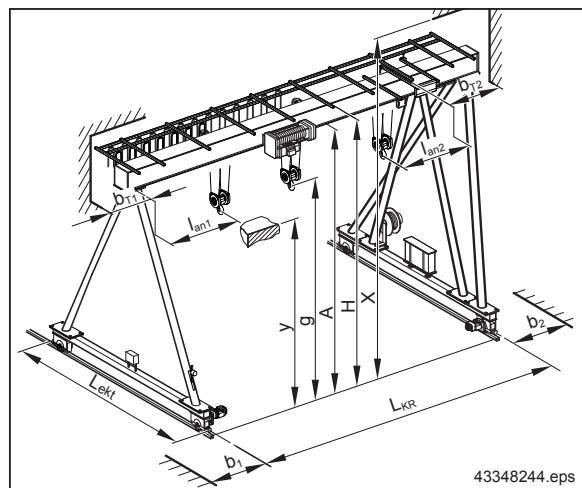
All structural dimensions, approach dimensions and information on the crane runway dimensions are based on the standard design presented in this catalogue. Any deviations must be checked.

20373744.indd0808112

EVPE load capacity 5,0 t

Overall height: **A8 m**
 Trolley: **DFW-P ___ / ___**
 Travelling hoist: **1x EKDR 10 - 5,0 2/1 - 20,0 Z - 25**

Hook path: 20 m; hoist speed: 10/1,7 m/min;
 1 - 18 m/min or 1 - 25 m/min infinitely variable;
 cross-travel speed up to 30 m/min infinitely variable



43348244.eps

Crane										Travelling hoist			Travel unit				
L _{KR}	b ₁ 1)	b ₂ 1)	b _{T1} 1)	b _{T2} 1)	H	X 1)	y 2)	GG	R _{max}	l _{an1}	l _{an2}	g	l _{an3} /l _{an4}	d	ekt	L _{ekt}	DPZ
4	270	270	195	895	8464	8564	7500	4038	3464	580	1125	7336	3209	125	6000	6417	100
5	270	270	195	895	8464	8564	7500	4145	3653	580	1125	7336	3209	125	6000	6417	100
6	270	270	195	895	8464	8564	7500	4255	3792	580	1125	7336	3209	125	6000	6417	100
7	270	270	195	895	8464	8564	7500	4362	3898	580	1125	7336	3209	125	6000	6417	100
8	270	270	195	895	8468	8568	7500	4491	3973	580	1125	7340	2959	125	5500	5917	100
9	270	270	195	895	8568	8668	7500	4888	4100	580	1125	7340	3236	160	6000	6472	100
10	270	270	195	895	8568	8668	7500	5016	4172	580	1125	7340	3236	160	6000	6472	100
11	270	270	195	895	8570	8670	7500	5213	4256	580	1125	7340	3236	160	6000	6472	100
12	270	270	195	895	8668	8768	7500	5330	4343	580	1125	7340	2986	160	5500	5972	100
13	270	270	195	895	8668	8768	7500	5473	4403	580	1125	7340	2986	160	5500	5972	100
14	270	270	195	895	8672	8772	7500	5772	4506	580	1125	7340	2986	160	5500	5972	100
15	270	270	195	895	8676	8776	7500	6079	4587	580	1125	7340	2986	160	5500	5972	100
16	270	270	195	895	8770	8870	7500	6165	4627	700	1245	7340	2986	160	5500	5972	100
17	270	270	195	895	8772	8872	7500	6399	4705	700	1245	7340	2986	160	5500	5972	100
18	270	270	195	895	8776	8876	7500	6762	4823	700	1245	7340	2986	160	5500	5972	100
19	270	270	195	895	8870	8970	7500	7478	5070	700	1245	7340	2986	160	5500	5972	100
20	270	270	195	895	8876	8976	7500	7970	5220	700	1245	7340	3006	160	5500	6012	120
21	270	270	195	895	8876	8976	7500	8156	5280	700	1245	7340	3006	160	5500	6012	120
22	270	270	195	895	8872	8972	7500	8595	5413	700	1245	7340	3006	160	5500	6012	120
23	270	270	195	895	8876	8976	7500	9113	5614	700	1245	7340	2756	160	5000	5512	120
24	270	270	195	895	8970	9070	7500	8949	5573	700	1245	7340	2756	160	5000	5512	120
25	270	270	195	965	8970	9070	7500	9927	5867	700	1245	7215	2756	160	5000	5512	120
26	270	270	195	965	8970	9070	7500	10085	5976	700	1245	7215	2506	160	4500	5012	120
27	270	270	195	965	8972	9072	7500	10623	6138	700	1245	7215	2506	160	4500	5012	120
28	270	270	195	965	9070	9170	7500	10860	6214	700	1245	7215	2506	160	4500	5012	120
29	270	270	195	965	9076	9176	7500	12019	6558	700	1245	7215	2506	160	4500	5012	120
30	280	280	195	965	9080	9180	7500	12968	6923	700	1245	7215	2289	200	4000	4577	120

1) Minimum dimension, includes 100 mm clearance

2) Minimum dimension, includes 500 mm clearance

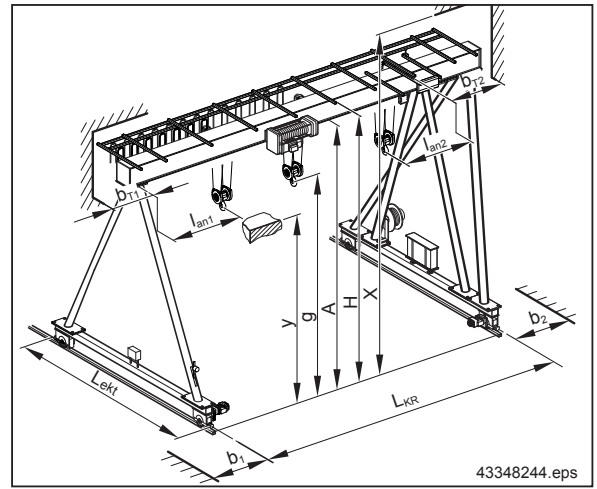
All dimensions in mm (L_{KR} in m).

Weights **max. R** and **G_e** are in kg.

All structural dimensions, approach dimensions and information on the crane runway dimensions are based on the standard design presented in this catalogue. Any deviations must be checked.

EVPE load capacity 5,0 t

Overall height: **A10 m**
 Trolley: **DFW-P ___ / ___**
 Travelling hoist: **1x EKDR 10 - 5,0 2/1 - 20,0 Z - 25**



Hook path: 20 m; hoist speed: 10/1,7 m/min;
 1 - 18 m/min or 1 - 25 m/min infinitely variable;
 cross-travel speed up to 30 m/min infinitely variable

Crane										Travelling hoist			Travel unit				
L _{KR}	b ₁ 1)	b ₂ 1)	b _{T1} 1)	b _{T2} 1)	H	X 1)	y 2)	GG	R _{max}	lan1	lan2	g	lan3 / lan4	d	ekt	L _{ekt}	DPZ
4	270	270	195	895	10464	10564	9500	5222	3900	580	1125	9336	3209	125	6000	6417	100
5	270	270	195	895	10464	10564	9500	5329	4089	580	1125	9336	3209	125	6000	6417	100
6	270	270	195	895	10464	10564	9500	5439	4228	580	1125	9336	3209	125	6000	6417	100
7	270	270	195	895	10464	10564	9500	5546	4335	580	1125	9336	3209	125	6000	6417	100
8	270	270	195	895	10468	10568	9500	5749	4452	580	1125	9340	3209	125	6000	6417	100
9	270	270	195	895	10568	10668	9500	6072	4586	580	1125	9340	3236	160	6000	6472	100
10	270	270	195	895	10568	10668	9500	6290	4652	580	1125	9340	3486	160	6500	6972	100
11	270	270	195	895	10570	10670	9500	6397	4744	580	1125	9340	3236	160	6000	6472	100
12	270	270	195	895	10668	10768	9500	6584	4823	580	1125	9340	3236	160	6000	6472	100
13	270	270	195	895	10668	10768	9500	6727	4884	580	1125	9340	3236	160	6000	6472	100
14	270	270	195	895	10672	10772	9500	7116	4979	580	1125	9340	3486	160	6500	6972	100
15	270	270	195	895	10676	10776	9500	7423	5061	580	1125	9340	3486	160	6500	6972	100
16	270	270	195	895	10770	10870	9500	7509	5100	700	1245	9340	3486	160	6500	6972	100
17	270	270	195	895	10772	10872	9500	7653	5190	700	1245	9340	3236	160	6000	6472	100
18	270	270	195	895	10776	10876	9500	8016	5308	700	1245	9340	3236	160	6000	6472	100
19	270	270	195	895	10870	10970	9500	8210	5376	700	1245	9340	3236	160	6000	6472	100
20	270	270	195	895	10876	10976	9500	8702	5526	700	1245	9340	3256	160	6000	6512	120
21	270	270	195	895	10876	10976	9500	8888	5589	700	1245	9340	3256	160	6000	6512	120
22	270	270	195	895	10872	10972	9500	9327	5723	700	1245	9340	3256	160	6000	6512	120
23	270	270	195	895	10876	10976	9500	9833	5927	700	1245	9340	3006	160	5500	6012	120
24	270	270	195	895	10970	11070	9500	9669	5884	700	1245	9340	3006	160	5500	6012	120
25	270	270	195	965	10970	11070	9500	10647	6182	700	1245	9215	3006	160	5500	6012	120
26	270	270	195	965	10970	11070	9500	10875	6253	700	1245	9215	3006	160	5500	6012	120
27	270	270	195	965	10972	11072	9500	11327	6457	700	1245	9215	2756	160	5000	5512	120
28	270	270	195	965	11070	11170	9500	11564	6533	700	1245	9215	2756	160	5000	5512	120
29	270	270	195	965	11076	11176	9500	12723	6882	700	1245	9215	2756	160	5000	5512	120
30	280	280	195	965	11080	11180	9500	13752	7184	700	1245	9215	2789	200	5000	5577	120

© Demag Cranes & Components GmbH

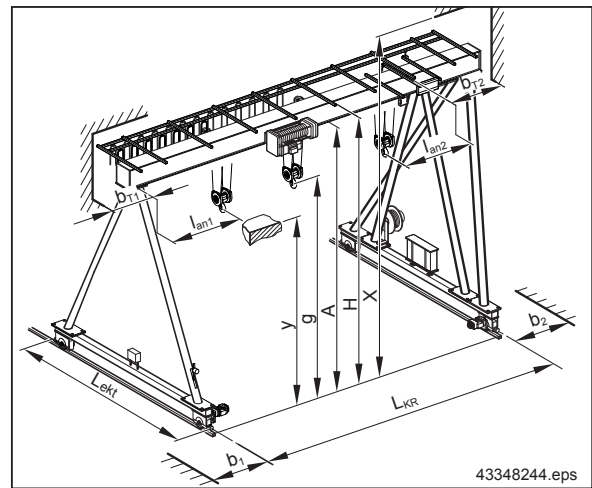
1) Minimum dimension, includes 100 mm clearance
 2) Minimum dimension, includes 500 mm clearance
 All dimensions in mm (L_{kr} in m).
 Weights **max. R** and **G_e** are in kg.

All structural dimensions, approach dimensions and information on the crane runway dimensions are based on the standard design presented in this catalogue. Any deviations must be checked.

EVPE load capacity 5,0 t

Overall height: **A4 m**
 Trolley: **DFW-P ___ / ___**
 Travelling hoist: **1x EKDR 10 - 5,0 4/2 - 11,35 Z - 25**

Hook path: **11,35 m**; hoist speed: **10/1,7 m/min**;
1 - 18 m/min or **1 - 25 m/min** infinitely variable;
 cross-travel speed up to **30 m/min** infinitely variable



Crane										Travelling hoist			Travel unit				
L _{KR}	b ₁ 1)	b ₂ 1)	b _{T1} 1)	b _{T2} 1)	H	X 1)	y 2)	GG	R _{max}	l _{an1}	l _{an2}	g	l _{an3} /l _{an4}	d	ekt	L _{ekt}	DPZ
4	270	270	140	590	4464	4564	3500	2898	3155	860	845	3451	2459	125	4500	4917	100
5	270	270	140	590	4464	4564	3500	3008	3307	860	845	3451	2459	125	4500	4917	100
6	270	270	140	640	4464	4564	3500	3118	3420	860	845	3451	2459	125	4500	4917	100
7	270	270	140	640	4464	4564	3500	3230	3507	860	845	3451	2459	125	4500	4917	100
8	270	270	140	690	4464	4564	3500	3342	3584	860	845	3451	2459	125	4500	4917	100
9	270	270	140	690	4468	4568	3500	3483	3656	860	845	3451	2209	125	4000	4417	100
10	270	270	140	690	4564	4664	3500	3599	3716	860	845	3451	2209	125	4000	4417	100
11	270	270	140	740	4568	4668	3500	3842	3807	860	845	3451	2209	125	4000	4417	100
12	270	270	140	740	4664	4764	3500	3970	3861	860	845	3451	2209	125	4000	4417	100
13	270	270	140	740	4666	4766	3500	4175	3935	860	845	3451	2209	125	4000	4417	100
14	270	270	140	890	4672	4772	3500	4490	4076	860	845	3455	1959	125	3500	3917	100
15	270	270	140	890	4676	4776	3500	4863	4107	860	845	3455	2209	125	4000	4417	100
16	270	270	140	890	4770	4870	3500	4946	4140	980	965	3455	2209	125	4000	4417	100
17	270	270	140	890	4772	4872	3500	5117	4229	980	965	3455	1959	125	3500	3917	100
18	270	270	140	890	4776	4876	3500	5482	4342	980	965	3455	1959	125	3500	3917	100
19	270	270	140	890	4870	4970	3500	5676	4404	980	965	3455	1959	125	3500	3917	100
20	270	270	140	940	4876	4976	3500	6176	4554	980	965	3455	1959	125	3500	3917	100
21	270	270	140	940	4876	4976	3500	6367	4614	980	965	3455	1959	125	3500	3917	100
22	270	270	140	940	4970	5070	3500	6939	4778	980	965	3455	1986	160	3500	3972	100
23	270	270	140	940	4970	5070	3500	7138	4840	980	965	3455	1986	160	3500	3972	100
24	270	270	140	940	4970	5070	3500	7339	4900	980	965	3455	1986	160	3500	3972	100
25	270	270	140	940	4968	5068	3500	8048	5106	980	965	3355	1986	160	3500	3972	100
26	270	270	140	940	4970	5070	3500	8435	5184	980	965	3355	2236	160	4000	4472	100
27	270	270	140	940	4972	5072	3500	9234	5411	980	965	3355	2256	160	4000	4512	120
28	270	270	140	940	5070	5170	3500	9476	5481	980	965	3355	2256	160	4000	4512	120
29	270	270	140	940	5076	5176	3500	10633	5806	980	965	3355	2256	160	4000	4512	120
30	270	270	140	940	5080	5180	3500	11549	6065	980	965	3355	2256	160	4000	4512	120

1) Minimum dimension, includes 100 mm clearance
 2) Minimum dimension, includes 500 mm clearance

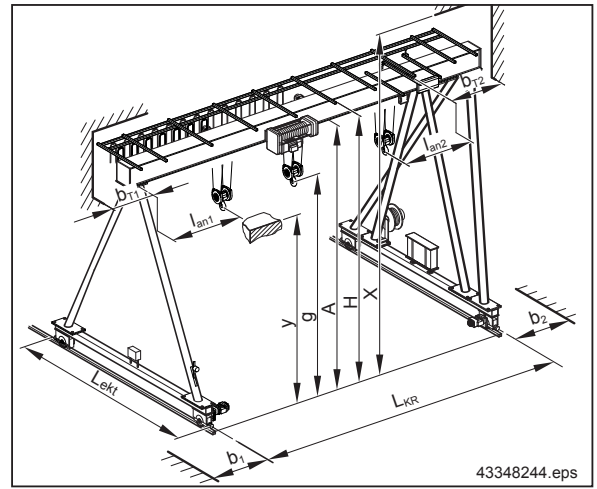
All dimensions in mm (L_{KR} in m).

Weights **max. R** and **G_e** are in kg.

All structural dimensions, approach dimensions and information on the crane runway dimensions are based on the standard design presented in this catalogue. Any deviations must be checked.

EVPE load capacity 5,0 t

Overall height: **A6 m**
 Trolley: **DFW-P ___ / ___**
 Travelling hoist: **1x EKDR 10 - 5,0 4/2 - 11,35 Z - 25**



Hook path: 11,35 m; hoist speed: 10/1,7 m/min;
 1 - 18 m/min or 1 - 25 m/min infinitely variable;
 cross-travel speed up to 30 m/min infinitely variable

Crane										Travelling hoist			Travel unit				
L _{KR}	b ₁ 1)	b ₂ 1)	b _{T1} 1)	b _{T2} 1)	H	X 1)	y 2)	GG	R _{max}	l _{an1}	l _{an2}	g	l _{an3} /l _{an4}	d	ekt	L _{ekt}	DPZ
4	270	270	140	590	6464	6564	5500	3266	3360	860	845	5451	2959	125	5500	5917	100
5	270	270	140	590	6464	6564	5500	3376	3511	860	845	5451	2959	125	5500	5917	100
6	270	270	140	640	6464	6564	5500	3486	3591	860	845	5451	2959	125	5500	5917	100
7	270	270	140	640	6464	6564	5500	3598	3679	860	845	5451	2959	125	5500	5917	100
8	270	270	140	690	6464	6564	5500	3710	3756	860	845	5451	2959	125	5500	5917	100
9	270	270	140	690	6468	6568	5500	3925	3850	860	845	5451	2959	125	5500	5917	100
10	270	270	140	690	6564	6664	5500	4041	3910	860	845	5451	2959	125	5500	5917	100
11	270	270	140	740	6568	6668	5500	4220	4010	860	845	5451	2709	125	5000	5417	100
12	270	270	140	740	6664	6764	5500	4348	4065	860	845	5451	2709	125	5000	5417	100
13	270	270	140	740	6666	6766	5500	4489	4155	860	845	5451	2459	125	4500	4917	100
14	270	270	140	890	6672	6772	5500	4932	4224	860	845	5455	2709	125	5000	5417	100
15	270	270	140	890	6676	6776	5500	5241	4301	860	845	5455	2709	125	5000	5417	100
16	270	270	140	890	6770	6870	5500	5324	4334	980	965	5455	2709	125	5000	5417	100
17	270	270	140	890	6772	6872	5500	5495	4425	980	965	5455	2459	125	4500	4917	100
18	270	270	140	890	6776	6876	5500	5924	4523	980	965	5455	2709	125	5000	5417	100
19	270	270	140	890	6870	6970	5500	6118	4585	980	965	5455	2709	125	5000	5417	100
20	270	270	140	940	6876	6976	5500	6554	4753	980	965	5455	2459	125	4500	4917	100
21	270	270	140	940	6876	6976	5500	6745	4813	980	965	5455	2459	125	4500	4917	100
22	270	270	195	965	6970	7070	5500	7629	5086	980	965	5455	2486	160	4500	4972	100
23	270	270	195	965	6970	7070	5500	7828	5148	980	965	5455	2486	160	4500	4972	100
24	270	270	195	965	6970	7070	5500	7955	5237	980	965	5455	2236	160	4000	4472	100
25	270	270	195	965	6968	7068	5500	8738	5417	980	965	5355	2486	160	4500	4972	100
26	270	270	195	965	6970	7070	5500	8958	5482	980	965	5355	2486	160	4500	4972	100
27	270	270	195	1035	6972	7072	5500	9774	5723	980	965	5355	2506	160	4500	5012	120
28	270	270	195	1035	7070	7170	5500	10015	5794	980	965	5355	2506	160	4500	5012	120
29	270	270	195	1035	7076	7176	5500	11173	6129	980	965	5355	2506	160	4500	5012	120
30	270	270	195	1035	7080	7180	5500	12160	6361	980	965	5355	2756	160	5000	5512	120

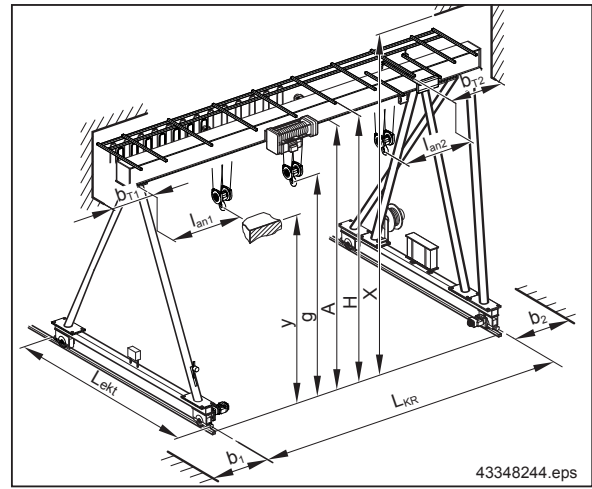
© Demag Cranes & Components GmbH

1) Minimum dimension, includes 100 mm clearance
 2) Minimum dimension, includes 500 mm clearance
 All dimensions in mm (L_{kr} in m).
 Weights **max. R** and **G_e** are in kg.

All structural dimensions, approach dimensions and information on the crane runway dimensions are based on the standard design presented in this catalogue. Any deviations must be checked.

EVPE load capacity 5,0 t

Overall height: A8 m
 Trolley: DFW-P ___ / ___
 Travelling hoist: 1x EKDR 10 - 5,0 4/2 - 11,35 Z - 25



Hook path: 11,35 m; hoist speed: 10/1,7 m/min;
 1 - 18 m/min or 1 - 25 m/min infinitely variable;
 cross-travel speed up to 30 m/min infinitely variable

Crane										Travelling hoist			Travel unit				
L _{KR}	b ₁ 1)	b ₂ 1)	b _{T1} 1)	b _{T2} 1)	H	X 1)	y 2)	GG	R _{max}	l _{an1}	l _{an2}	g	l _{an3} /l _{an4}	d	ekt	L _{ekt}	DPZ
4	270	270	195	895	8464	8564	7500	4144	3702	860	845	7451	3236	160	6000	6472	100
5	270	270	195	895	8464	8564	7500	4183	3862	860	845	7451	2986	160	5500	5972	100
6	270	270	195	895	8464	8564	7500	4289	3973	860	845	7451	2986	160	5500	5972	100
7	270	270	195	895	8464	8564	7500	4400	4060	860	845	7451	2986	160	5500	5972	100
8	270	270	195	895	8464	8564	7500	4508	4083	860	845	7451	2986	160	5500	5972	100
9	270	270	195	895	8468	8568	7500	4724	4178	860	845	7451	2986	160	5500	5972	100
10	270	270	195	895	8564	8664	7500	4910	4233	860	845	7451	3236	160	6000	6472	100
11	270	270	195	895	8568	8668	7500	5148	4321	860	845	7451	3236	160	6000	6472	100
12	270	270	195	895	8664	8764	7500	5277	4375	860	845	7451	3236	160	6000	6472	100
13	270	270	195	895	8666	8766	7500	5412	4458	860	845	7451	2986	160	5500	5972	100
14	270	270	195	895	8672	8772	7500	5770	4575	860	845	7455	2986	160	5500	5972	100
15	270	270	195	895	8676	8776	7500	6079	4652	860	845	7455	2986	160	5500	5972	100
16	270	270	195	895	8770	8870	7500	6163	4688	980	965	7455	2986	160	5500	5972	100
17	270	270	195	895	8772	8872	7500	6397	4765	980	965	7455	2986	160	5500	5972	100
18	270	270	195	895	8776	8876	7500	6762	4879	980	965	7455	2986	160	5500	5972	100
19	270	270	195	965	8870	8970	7500	7038	4935	980	965	7455	3236	160	6000	6472	100
20	270	270	195	895	8876	8976	7500	7968	5270	980	965	7455	3006	160	5500	6012	120
21	270	270	195	895	8876	8976	7500	8158	5330	980	965	7455	3006	160	5500	6012	120
22	270	270	195	895	8970	9070	7500	8620	5469	980	965	7455	2986	160	5500	5972	100
23	270	270	195	895	8970	9070	7500	8748	5556	980	965	7455	2756	160	5000	5512	120
24	270	270	195	895	8970	9070	7500	8949	5619	980	965	7455	2756	160	5000	5512	120
25	270	270	195	895	8968	9068	7500	9657	5829	980	965	7355	2756	160	5000	5512	120
26	270	270	195	895	8970	9070	7500	9877	5896	980	965	7355	2756	160	5000	5512	120
27	270	270	195	965	8972	9072	7500	10621	6181	980	965	7355	2506	160	4500	5012	120
28	270	270	195	965	9070	9170	7500	10862	6255	980	965	7355	2506	160	4500	5012	120
29	270	270	195	1035	9076	9176	7500	12037	6609	980	965	7355	2506	160	4500	5012	120
30	280	280	195	1035	9080	9180	7500	12988	6976	980	965	7355	2289	200	4000	4577	120

1) Minimum dimension, includes 100 mm clearance
 2) Minimum dimension, includes 500 mm clearance

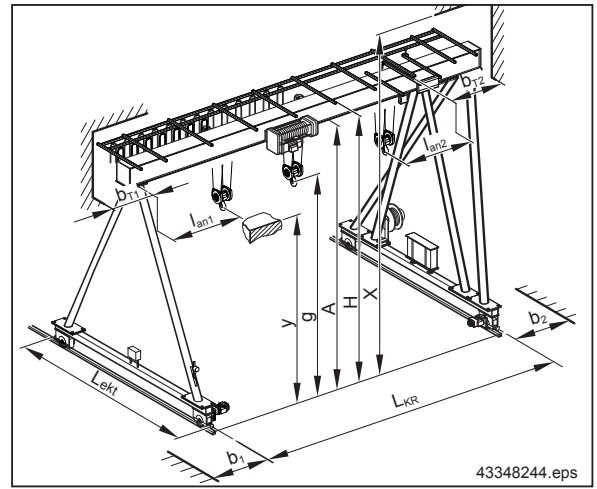
All dimensions in mm (L_{KR} in m).

Weights **max. R** and **G_e** are in kg.

All structural dimensions, approach dimensions and information on the crane runway dimensions are based on the standard design presented in this catalogue. Any deviations must be checked.

EVPE load capacity 5,0 t

Overall height: **A10 m**
 Trolley: **DFW-P ___ / ___**
 Travelling hoist: **1x EKDR 10 - 5,0 4/2 - 11,35 Z - 25**



Hook path: 11,35 m; hoist speed: 10/1,7 m/min;
 1 - 18 m/min or 1 - 25 m/min infinitely variable;
 cross-travel speed up to 30 m/min infinitely variable

Crane										Travelling hoist			Travel unit				
L _{KR}	b ₁ 1)	b ₂ 1)	b _{T1} 1)	b _{T2} 1)	H	X 1)	y 2)	GG	R _{max}	l _{an1}	l _{an2}	g	l _{an3} /l _{an4}	d	ekt	L _{ekt}	DPZ
4	270	270	195	895	10464	10564	9500	5418	4132	860	845	9451	3486	160	6500	6972	100
5	270	270	195	895	10464	10564	9500	5527	4283	860	845	9451	3486	160	6500	6972	100
6	270	270	195	895	10464	10564	9500	5633	4393	860	845	9451	3486	160	6500	6972	100
7	270	270	195	895	10464	10564	9500	5744	4481	860	845	9451	3486	160	6500	6972	100
8	270	270	195	895	10464	10564	9500	5762	4560	860	845	9451	3236	160	6000	6472	100
9	270	270	195	895	10468	10568	9500	6068	4650	860	845	9451	3486	160	6500	6972	100
10	270	270	195	895	10564	10664	9500	6184	4711	860	845	9451	3486	160	6500	6972	100
11	270	270	195	895	10568	10668	9500	6332	4808	860	845	9451	3236	160	6000	6472	100
12	270	270	195	895	10664	10764	9500	6461	4863	860	845	9451	3236	160	6000	6472	100
13	270	270	195	895	10666	10766	9500	6666	4939	860	845	9451	3236	160	6000	6472	100
14	270	270	195	895	10672	10772	9500	7114	5047	860	845	9455	3486	160	6500	6972	100
15	270	270	195	895	10676	10776	9500	7423	5125	860	845	9455	3486	160	6500	6972	100
16	270	270	195	895	10770	10870	9500	7507	5161	980	965	9455	3486	160	6500	6972	100
17	270	270	195	895	10772	10872	9500	7651	5250	980	965	9455	3236	160	6000	6472	100
18	270	270	195	895	10776	10876	9500	8016	5364	980	965	9455	3236	160	6000	6472	100
19	270	270	195	895	10870	10970	9500	8210	5429	980	965	9455	3236	160	6000	6472	100
20	270	270	195	895	10876	10976	9500	8700	5577	980	965	9455	3256	160	6000	6512	120
21	270	270	195	895	10876	10976	9500	8890	5639	980	965	9455	3256	160	6000	6512	120
22	270	270	195	895	10970	11070	9500	9352	5779	980	965	9455	3236	160	6000	6472	100
23	270	270	195	895	10970	11070	9500	9550	5841	980	965	9455	3256	160	6000	6512	120
24	270	270	195	895	10970	11070	9500	9669	5930	980	965	9455	3006	160	5500	6012	120
25	270	270	195	895	10968	11068	9500	10377	6144	980	965	9355	3006	160	5500	6012	120
26	270	270	195	895	10970	11070	9500	10679	6182	980	965	9355	3256	160	6000	6512	120
27	270	270	195	965	10972	11072	9500	11411	6457	980	965	9355	3006	160	5500	6012	120
28	270	270	195	965	11070	11170	9500	11652	6530	980	965	9355	3006	160	5500	6012	120
29	270	270	195	1035	11076	11176	9500	12827	6885	980	965	9355	3006	160	5500	6012	120
30	280	280	195	1035	11080	11180	9500	13772	7235	980	965	9355	2789	200	5000	5577	120

© Demag Cranes & Components GmbH

1) Minimum dimension, includes 100 mm clearance
 2) Minimum dimension, includes 500 mm clearance
 All dimensions in mm (L_{Kr} in m).
 Weights **max. R** and **G_e** are in kg.

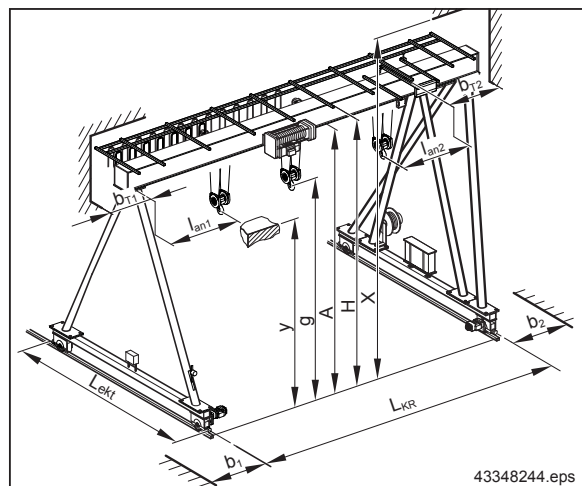
All structural dimensions, approach dimensions and information on the crane runway dimensions are based on the standard design presented in this catalogue. Any deviations must be checked.

20373744.indd0808112

EVPE load capacity 6,3 t

Overall height: A4 m
 Trolley: DFW-P ___ / ___
 Travelling hoist: 1x EKDR 5 - 6,3 4/1 - 10,0 Z - 9

Hook path: 10 m; hoist speed: 4,5/0,8 m/min; 6/1 m/min;
 or 0,4 - 8 m/min infinitely variable;
 cross-travel speed up to 30 m/min infinitely variable



43348244.eps

Crane										Travelling hoist			Travel unit				
L _{KR}	b ₁ 1)	b ₂ 1)	b _{T1} 1)	b _{T2} 1)	H	X 1)	y 2)	GG	R _{max}	l _{an1}	l _{an2}	g	l _{an3} /l _{an4}	d	ekt	L _{ekt}	DPZ
4	270	270	140	540	4464	4564	3500	2629	3604	645	930	3576	2209	125	4000	4417	100
5	270	270	140	540	4464	4564	3500	2738	3793	645	930	3576	2209	125	4000	4417	100
6	270	270	140	540	4464	4564	3500	2846	3930	645	930	3576	2209	125	4000	4417	100
7	270	270	140	540	4464	4564	3500	2955	4037	645	930	3576	2209	125	4000	4417	100
8	270	270	140	540	4470	4570	3500	3192	4133	645	930	3580	2209	125	4000	4417	100
9	270	270	140	540	4476	4576	3500	3397	4278	645	930	3580	1959	125	3500	3917	100
10	270	270	140	540	4570	4670	3500	3490	4340	645	930	3580	1959	125	3500	3917	100
11	270	270	140	540	4576	4676	3500	3801	4424	645	930	3580	1959	125	3500	3917	100
12	270	270	140	540	4670	4770	3500	3882	4472	645	930	3580	1959	125	3500	3917	100
13	270	270	140	540	4672	4772	3500	4102	4554	645	930	3580	1959	125	3500	3917	100
14	270	270	140	640	4770	4870	3500	4345	4646	645	930	3580	1959	125	3500	3917	100
15	270	270	140	640	4770	4870	3500	4438	4671	645	930	3580	1709	125	3000	3417	100
16	270	270	140	640	4776	4876	3500	5021	4798	765	1050	3580	1986	160	3500	3972	100
17	270	270	140	690	4870	4970	3500	5105	4838	765	1050	3580	1986	160	3500	3972	100
18	270	270	140	690	4870	4970	3500	5532	5027	765	1050	3580	1736	160	3000	3472	100
19	270	270	140	690	4870	4970	3500	5716	5038	765	1050	3580	1736	160	3000	3472	100
20	270	270	140	690	4876	4976	3500	6508	5279	765	1050	3580	1736	160	3000	3472	100
21	270	270	140	690	4876	4976	3500	6787	5314	765	1050	3580	1986	160	3500	3972	100
22	270	270	140	690	4972	5072	3500	6787	5314	765	1050	3580	1986	160	3500	3972	100
23	270	270	140	740	4976	5076	3500	7474	5525	765	1050	3580	1986	160	3500	3972	100
24	270	270	140	740	4976	5076	3500	7693	5593	765	1050	3580	1986	160	3500	3972	100
25	270	270	140	740	4972	5072	3500	8167	5732	765	1050	3455	1986	160	3500	3972	100
26	270	270	140	840	5070	5170	3500	8417	5813	765	1050	3455	1986	160	3500	3972	100
27	270	270	140	840	5070	5170	3500	8718	5857	765	1050	3455	2236	160	4000	4472	100
28	270	270	140	840	5076	5176	3500	9830	6171	765	1050	3455	2236	160	4000	4472	100
29	270	270	140	840	5080	5180	3500	10712	6420	765	1050	3455	2236	160	4000	4472	100
30	270	270	140	840	5085	5185	3500	11533	6652	765	1050	3455	2236	160	4000	4472	100

1) Minimum dimension, includes 100 mm clearance

2) Minimum dimension, includes 500 mm clearance

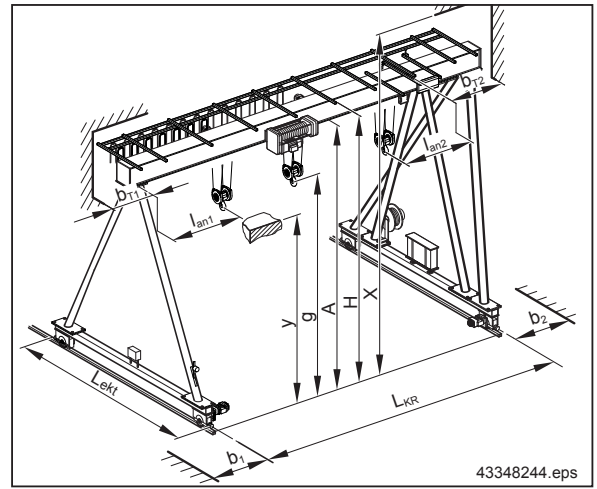
All dimensions in mm (L_{KR} in m).

Weights **max. R** and **G_e** are in kg.

All structural dimensions, approach dimensions and information on the crane runway dimensions are based on the standard design presented in this catalogue. Any deviations must be checked.

EVPE load capacity 6,3 t

Overall height: **A6 m**
 Trolley: **DFW-P ___ / ___**
 Travelling hoist: **1x EKDR 5 - 6,3 4/1 - 10,0 Z - 9**



Hook path: 10 m; hoist speed: 4,5/0,8 m/min; 6/1 m/min;
 or 0,4 - 8 m/min infinitely variable;
 cross-travel speed up to 30 m/min infinitely variable

Crane										Travelling hoist			Travel unit				
L _{KR}	b ₁ 1)	b ₂ 1)	b _{T1} 1)	b _{T2} 1)	H	X 1)	y 2)	GG	R _{max}	l _{an1}	l _{an2}	g	l _{an3} /l _{an4}	d	ekt	L _{ekt}	DPZ
4	270	270	195	895	6464	6564	5500	3292	3973	645	930	5576	2458,5	125	4500	4917	100
5	270	270	195	895	6464	6564	5500	3401	4164	645	930	5576	2458,5	125	4500	4917	100
6	270	270	195	895	6464	6564	5500	3509	4302	645	930	5576	2458,5	125	4500	4917	100
7	270	270	195	895	6464	6564	5500	3618	4359	645	930	5576	2458,5	125	4500	4917	100
8	270	270	195	895	6470	6570	5500	3930	4468	645	930	5580	2708,5	125	5000	5417	100
9	270	270	195	895	6476	6576	5500	4134	4614	645	930	5580	2458,5	125	4500	4917	100
10	270	270	195	895	6570	6670	5500	4225	4674	645	930	5580	2458,5	125	4500	4917	100
11	270	270	195	895	6576	6676	5500	4541	4745	645	930	5580	2458,5	125	4500	4917	100
12	270	270	195	895	6670	6770	5500	4546	4818	645	930	5580	2208,5	125	4000	4417	100
13	270	270	195	895	6672	6772	5500	4767	4902	645	930	5580	2208,5	125	4000	4417	100
14	270	270	195	895	6770	6870	5500	5071	4959	645	930	5580	2458,5	125	4500	4917	100
15	270	270	195	895	6770	6870	5500	5228	4991	645	930	5580	2458,5	125	4500	4917	100
16	270	270	195	895	6776	6876	5500	5676	5119	765	1050	5580	2236	160	4000	4472	100
17	270	270	195	895	6870	6970	5500	5751	5154	765	1050	5580	2236	160	4000	4472	100
18	270	270	195	895	6870	6970	5500	6244	5308	765	1050	5580	2236	160	4000	4472	100
19	270	270	195	895	6870	6970	5500	6429	5372	765	1050	5580	2236	160	4000	4472	100
20	270	270	195	895	6876	6976	5500	7208	5554	765	1050	5580	2486	160	4500	4972	100
21	270	270	195	895	6876	6976	5500	7418	5621	765	1050	5580	2486	160	4500	4972	100
22	270	270	195	895	6972	7072	5500	7476	5647	765	1050	5580	2486	160	4500	4972	100
23	270	270	195	895	6976	7076	5500	8022	5863	765	1050	5580	2236	160	4000	4472	100
24	270	270	195	895	6976	7076	5500	8240	5932	765	1050	5580	2236	160	4000	4472	100
25	270	270	195	895	6972	7072	5500	8789	6038	765	1050	5455	2486	160	4500	4972	100
26	270	270	195	895	7070	7170	5500	9017	6108	765	1050	5455	2486	160	4500	4972	100
27	270	270	195	895	7070	7170	5500	9174	6218	765	1050	5455	2236	160	4000	4472	100
28	270	270	195	895	7076	7176	5500	10360	6499	765	1050	5455	2486	160	4500	4972	100
29	270	270	195	895	7080	7180	5500	11242	6754	765	1050	5455	2486	160	4500	4972	100
30	270	270	195	895	7085	7185	5500	11522	6837	765	1050	5455	2486	160	4500	4972	100

© Demag Cranes & Components GmbH

1) Minimum dimension, includes 100 mm clearance

2) Minimum dimension, includes 500 mm clearance

All dimensions in mm (L_{kr} in m).

Weights **max. R** and **G_e** are in kg.

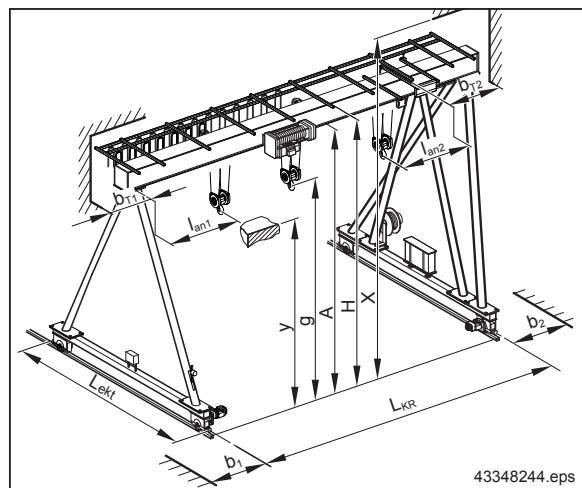
All structural dimensions, approach dimensions and information on the crane runway dimensions are based on the standard design presented in this catalogue. Any deviations must be checked.

20373744.indd0808112

EVPE load capacity 6,3 t

Overall height: A8 m
 Trolley: DFW-P ___ / ___
 Travelling hoist: 1x EKDR 5 - 6,3 4/1 - 10,0 Z - 9

Hook path: 10 m; hoist speed: 4,5/0,8 m/min; 6/1 m/min;
 or 0,4 - 8 m/min infinitely variable;
 cross-travel speed up to 30 m/min infinitely variable



43348244.eps

Crane										Travelling hoist			Travel unit				
L _{KR}	b ₁ 1)	b ₂ 1)	b _{T1} 1)	b _{T2} 1)	H	X 1)	y 2)	GG	R _{max}	l _{an1}	l _{an2}	g	l _{an3} /l _{an4}	d	ekt	L _{ekt}	DPZ
4	270	270	195	895	8464	8564	7500	3820	4214	645	930	7576	2736	160	5000	5472	100
5	270	270	195	895	8464	8564	7500	3993	4375	645	930	7576	2986	160	5500	5972	100
6	270	270	195	895	8464	8564	7500	4101	4512	645	930	7576	2986	160	5500	5972	100
7	270	270	195	895	8464	8564	7500	4146	4649	645	930	7576	2736	160	5000	5472	100
8	270	270	195	895	8470	8570	7500	4388	4713	645	930	7580	2736	160	5000	5472	100
9	270	270	195	895	8476	8576	7500	4662	4839	645	930	7580	2736	160	5000	5472	100
10	270	270	195	895	8570	8670	7500	4753	4899	645	930	7580	2736	160	5000	5472	100
11	270	270	195	895	8576	8676	7500	5133	4995	645	930	7580	2986	160	5500	5972	100
12	270	270	195	895	8670	8770	7500	5212	5041	645	930	7580	2986	160	5500	5972	100
13	270	270	195	895	8672	8772	7500	5433	5126	645	930	7580	2986	160	5500	5972	100
14	270	270	195	965	8770	8870	7500	5610	5246	645	930	7580	2736	160	5000	5472	100
15	270	270	195	965	8770	8870	7500	5767	5206	645	930	7580	2736	160	5000	5472	100
16	270	270	195	965	8776	8876	7500	6243	5316	765	1050	7580	2986	160	5500	5972	100
17	270	270	195	965	8870	8970	7500	6318	5350	765	1050	7580	2986	160	5500	5972	100
18	270	270	195	1035	8870	8970	7500	6761	5538	765	1050	7580	2736	160	5000	5472	100
19	270	270	195	1035	8870	8970	7500	6945	5601	765	1050	7580	2736	160	5000	5472	100
20	270	270	195	1035	8876	8976	7500	8241	5968	765	1050	7580	3006	160	5500	6012	120
21	270	270	195	1035	8876	8976	7500	8450	6036	765	1050	7580	3006	160	5500	6012	120
22	270	270	195	1035	8972	9072	7500	8507	6061	765	1050	7580	3006	160	5500	6012	120
23	270	270	195	1035	8976	9076	7500	9060	6278	765	1050	7580	2756	160	5000	5512	120
24	270	270	195	1035	8976	9076	7500	9278	6347	765	1050	7580	2756	160	5000	5512	120
25	270	270	195	1035	8972	9072	7500	9754	6490	765	1050	7455	2756	160	5000	5512	120
26	270	270	195	1035	9070	9170	7500	9983	6562	765	1050	7455	2756	160	5000	5512	120
27	280	280	195	1035	9070	9170	7500	10327	6661	765	1050	7455	2789	200	5000	5577	120
28	280	280	195	1035	9076	9176	7500	11366	7039	765	1050	7455	2539	200	4500	5077	120
29	280	280	195	1035	9080	9180	7500	12179	7376	765	1050	7455	2289	200	4000	4577	120
30	280	280	195	1035	9085	9185	7500	13002	7627	765	1050	7455	2289	200	4000	4577	120

1) Minimum dimension, includes 100 mm clearance

2) Minimum dimension, includes 500 mm clearance

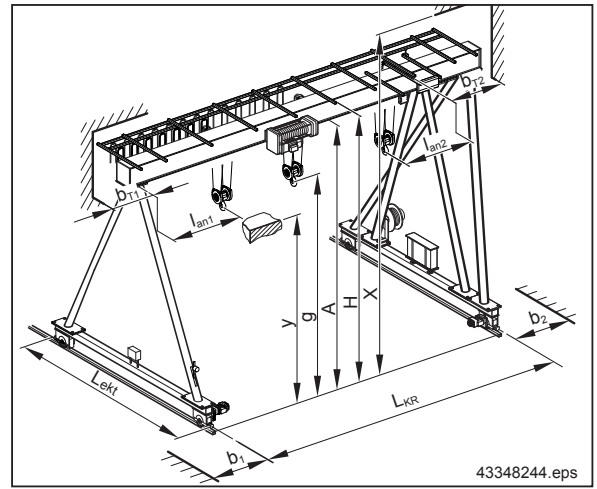
All dimensions in mm (L_{KR} in m).

Weights max. R and G_e are in kg.

All structural dimensions, approach dimensions and information on the crane runway dimensions are based on the standard design presented in this catalogue. Any deviations must be checked.

EVPE load capacity 6,3 t

Overall height: **A10 m**
 Trolley: **DFW-P ___ / ___**
 Travelling hoist: **1x EKDR 5 - 6,3 4/1 - 10,0 Z - 9**



Hook path: 10 m; hoist speed: 4,5/0,8 m/min; 6/1 m/min;
 or 0,4 - 8 m/min infinitely variable;
 cross-travel speed up to 30 m/min infinitely variable

Crane										Travelling hoist			Travel unit				
L _{KR}	b ₁ 1)	b ₂ 1)	b _{T1} 1)	b _{T2} 1)	H	X 1)	y 2)	GG	R _{max}	l _{an1}	l _{an2}	g	l _{an3} /l _{an4}	d	ekt	L _{ekt}	DPZ
4	270	270	195	895	10464	10564	9500	5056	4652	645	930	9576	2986	160	5500	5972	100
5	270	270	195	895	10464	10564	9500	5165	4842	645	930	9576	2986	160	5500	5972	100
6	270	270	195	895	10464	10564	9500	5273	4980	645	930	9576	2986	160	5500	5972	100
7	270	270	195	895	10464	10564	9500	5382	5086	645	930	9576	2986	160	5500	5972	100
8	270	270	195	895	10470	10570	9500	5624	5217	645	930	9580	2986	160	5500	5972	100
9	270	270	195	895	10476	10576	9500	5898	5260	645	930	9580	2986	160	5500	5972	100
10	270	270	195	895	10570	10670	9500	5989	5321	645	930	9580	2986	160	5500	5972	100
11	270	270	195	895	10576	10676	9500	6387	5422	645	930	9580	3236	160	6000	6472	100
12	270	270	195	895	10670	10770	9500	6466	5468	645	930	9580	3236	160	6000	6472	100
13	270	270	195	895	10672	10772	9500	6605	5574	645	930	9580	2986	160	5500	5972	100
14	270	270	195	895	10770	10870	9500	6835	5660	645	930	9580	2986	160	5500	5972	100
15	270	270	195	895	10770	10870	9500	6992	5692	645	930	9580	2986	160	5500	5972	100
16	270	270	195	895	10776	10876	9500	7486	5804	765	1050	9580	3236	160	6000	6472	100
17	270	270	195	895	10870	10970	9500	7561	5838	765	1050	9580	3236	160	6000	6472	100
18	270	270	195	895	10870	10970	9500	7972	6021	765	1050	9580	2986	160	5500	5972	100
19	270	270	195	895	10870	10970	9500	8157	6085	765	1050	9580	2986	160	5500	5972	100
20	270	270	195	895	10876	10976	9500	8944	6272	765	1050	9580	3256	160	6000	6512	120
21	270	270	195	965	10876	10976	9500	9086	6379	765	1050	9580	3006	160	5500	6012	120
22	270	270	195	965	10972	11072	9500	9143	6403	765	1050	9580	3006	160	5500	6012	120
23	270	270	195	965	10976	11076	9500	9765	6593	765	1050	9580	3006	160	5500	6012	120
24	270	270	195	1035	10976	11076	9500	9998	6671	765	1050	9580	3006	160	5500	6012	120
25	270	270	195	1035	10972	11072	9500	10388	6862	765	1050	9455	2756	160	5000	5512	120
26	270	270	195	1035	11070	11170	9500	10617	6935	765	1050	9455	2756	160	5000	5512	120
27	280	280	195	1035	11070	11170	9500	10961	7036	765	1050	9455	2789	200	5000	5577	120
28	280	280	195	1035	11076	11176	9500	12078	7373	765	1050	9455	2789	200	5000	5577	120
29	280	280	195	1035	11080	11180	9500	12963	7641	765	1050	9455	2789	200	5000	5577	120
30	280	280	195	1035	11085	11185	9500	13243	7728	765	1050	9455	2789	200	5000	5577	120

© Demag Cranes & Components GmbH

1) Minimum dimension, includes 100 mm clearance
 2) Minimum dimension, includes 500 mm clearance
 All dimensions in mm (L_{kr} in m).
 Weights **max. R** and **G_e** are in kg.

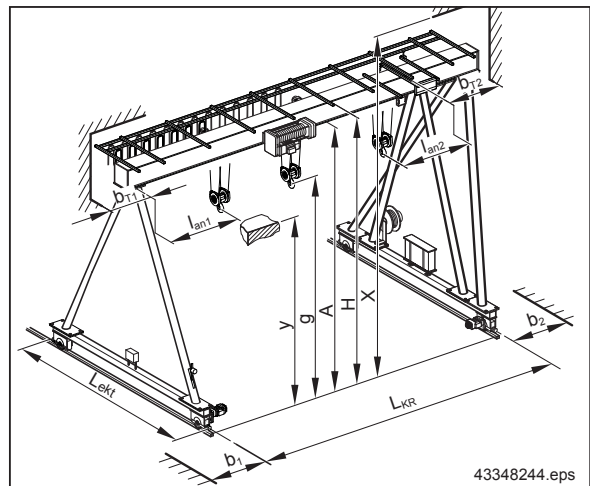
All structural dimensions, approach dimensions and information on the crane runway dimensions are based on the standard design presented in this catalogue. Any deviations must be checked.

20373744.indd0808112

EVPE load capacity 6,3 t

Overall height: **A4 m**
 Trolley: **DFW-P ___ / ___**
 Travelling hoist: **1x EKDR 10 - 6,3 2/1 - 20,0 Z - 18**

Hook path: 20 m; hoist speed: 8/1,4 m/min;
 0,4 - 9 m/min or 0,4 - 8 m/min infinitely variable;
 cross-travel speed up to 30 m/min infinitely variable



Crane										Travelling hoist			Travel unit				
L _{KR}	b ₁ 1)	b ₂ 1)	b _{T1} 1)	b _{T2} 1)	H	X 1)	y 2)	GG	R _{max}	l _{an1}	l _{an2}	g	l _{an3} /l _{an4}	d	ekt	L _{ekt}	DPZ
4	270	270	140	540	4464	4564	3500	2893	3484	580	1125	3336	2459	125	4500	4917	100
5	270	270	140	540	4466	4566	3500	3030	3697	580	1125	3336	2459	125	4500	4917	100
6	270	270	140	540	4468	4568	3500	3110	3850	580	1125	3340	2459	125	4500	4917	100
7	270	270	140	540	4468	4568	3500	3143	3982	580	1125	3340	2209	125	4000	4417	100
8	270	270	140	540	4470	4570	3500	3297	4095	580	1125	3340	2209	125	4000	4417	100
9	270	270	140	540	4568	4668	3500	3463	4198	580	1125	3340	2209	125	4000	4417	100
10	270	270	140	540	4570	4670	3500	3742	4292	580	1125	3340	2209	125	4000	4417	100
11	270	270	140	540	4668	4768	3500	3930	4382	580	1125	3340	2209	125	4000	4417	100
12	270	270	140	540	4668	4768	3500	4066	4450	580	1125	3340	2209	125	4000	4417	100
13	270	270	140	540	4672	4772	3500	4292	4580	580	1125	3340	1959	125	3500	3917	100
14	270	270	140	640	4770	4870	3500	4535	4637	580	1125	3340	1959	125	3500	3917	100
15	270	270	140	640	4772	4872	3500	4870	4720	580	1125	3340	1986	160	3500	3972	100
16	270	270	140	640	4776	4876	3500	5101	4807	700	1245	3340	1959	125	3500	3917	100
17	270	270	140	690	4870	4970	3500	5300	4883	700	1245	3340	1959	125	3500	3917	100
18	270	270	140	690	4876	4976	3500	5755	4985	700	1245	3340	1959	125	3500	3917	100
19	270	270	140	690	4870	4970	3500	6097	5089	700	1245	3340	1986	160	3500	3972	100
20	270	270	140	740	4970	5070	3500	6501	5218	700	1245	3340	1986	160	3500	3972	100
21	270	270	140	740	4970	5070	3500	6700	5283	700	1245	3340	1986	160	3500	3972	100
22	270	270	140	740	4972	5072	3500	7099	5404	700	1245	3340	1986	160	3500	3972	100
23	270	270	140	740	4976	5076	3500	7722	5588	700	1245	3340	1986	160	3500	3972	100
24	270	270	140	740	4972	5072	3500	8397	5790	700	1245	3215	1986	160	3500	3972	100
25	270	270	140	840	5070	5170	3500	8660	5880	700	1245	3215	2006	160	3500	4012	120
26	270	270	140	840	5070	5170	3500	8899	5953	700	1245	3215	2006	160	3500	4012	120
27	270	270	140	840	5072	5172	3500	9487	6077	700	1245	3215	2256	160	4000	4512	120
28	270	270	140	840	5076	5176	3500	10335	6319	700	1245	3215	2256	160	4000	4512	120
29	270	270	140	840	5080	5180	3500	11227	6571	700	1245	3215	2256	160	4000	4512	120
30	280	280	140	840	5090	5190	3500	10953	6495	700	1245	3220	2289	200	4000	4577	120

1) Minimum dimension, includes 100 mm clearance
 2) Minimum dimension, includes 500 mm clearance

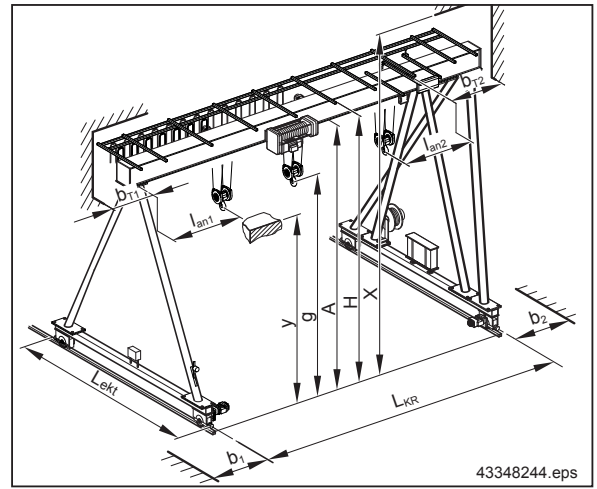
All dimensions in mm (L_{KR} in m).

Weights **max. R** and **G_e** are in kg.

All structural dimensions, approach dimensions and information on the crane runway dimensions are based on the standard design presented in this catalogue. Any deviations must be checked.

EVPE load capacity 6,3 t

Overall height: **A6 m**
 Trolley: **DFW-P ___ / ___**
 Travelling hoist: **1x EKDR 10 - 6,3 2/1 - 20,0 Z - 18**



Hook path: 20 m; hoist speed: 8/1,4 m/min;
 0,4 - 9 m/min or 0,4 - 8 m/min infinitely variable;
 cross-travel speed up to 30 m/min infinitely variable

Crane										Travelling hoist			Travel unit					
L _{KR}	b ₁ 1)	b ₂ 1)	b _{T1} 1)	b _{T2} 1)	H	X 1)	y 2)	GG	R _{max}	l _{an1}	l _{an2}	g	l _{an3} /l _{an4}	d	ekt	L _{ekt}	DPZ	
4	270	270	195	895	6464	6564	5500	3552	3849	580	1125	5336	2709	125	5000	5417	100	
5	270	270	195	895	6466	6566	5500	3691	4043	580	1125	5336	2709	125	5000	5417	100	
6	270	270	195	895	6468	6568	5500	3839	4183	580	1125	5340	2959	125	5500	5917	100	
7	270	270	195	895	6468	6568	5500	3876	4321	580	1125	5340	2709	125	5000	5417	100	
8	270	270	195	895	6470	6570	5500	4031	4435	580	1125	5340	2709	125	5000	5417	100	
9	270	270	195	895	6568	6668	5500	4200	4538	580	1125	5340	2709	125	5000	5417	100	
10	270	270	195	895	6570	6670	5500	4413	4637	580	1125	5340	2459	125	4500	4917	100	
11	270	270	195	895	6668	6768	5500	4602	4728	580	1125	5340	2459	125	4500	4917	100	
12	270	270	195	895	6668	6768	5500	4808	4778	580	1125	5340	2709	125	5000	5417	100	
13	270	270	195	895	6672	6772	5500	5101	4888	580	1125	5340	2709	125	5000	5417	100	
14	270	270	195	895	6770	6870	5500	5331	4975	580	1125	5340	2709	125	5000	5417	100	
15	270	270	195	895	6772	6872	5500	5597	5078	580	1125	5340	2486	160	4500	4972	100	
16	270	270	195	895	6776	6876	5500	5940	5138	700	1245	5340	2486	160	4500	4972	100	
17	270	270	195	895	6870	6970	5500	6131	5208	700	1245	5340	2486	160	4500	4972	100	
18	270	270	195	895	6876	6976	5500	6589	5354	700	1245	5340	2486	160	4500	4972	100	
19	270	270	195	895	6870	6970	5500	6821	5432	700	1245	5340	2486	160	4500	4972	100	
20	270	270	195	895	6970	7070	5500	7216	5556	700	1245	5340	2486	160	4500	4972	100	
21	270	270	195	895	6970	7070	5500	7415	5623	700	1245	5340	2486	160	4500	4972	100	
22	270	270	195	895	6972	7072	5500	7815	5744	700	1245	5340	2486	160	4500	4972	100	
23	270	270	195	895	6976	7076	5500	8440	5931	700	1245	5340	2486	160	4500	4972	100	
24	270	270	195	895	6972	7072	5500	9020	6103	700	1245	5215	2486	160	4500	4972	100	
25	270	270	195	895	7070	7170	5500	9186	6218	700	1245	5215	2256	160	4000	4512	120	
26	270	270	195	895	7070	7170	5500	9425	6293	700	1245	5215	2256	160	4000	4512	120	
27	270	270	195	895	7072	7172	5500	9943	6447	700	1245	5215	2256	160	4000	4512	120	
28	270	270	195	895	7076	7176	5500	10791	6697	700	1245	5215	2256	160	4000	4512	120	
29	270	270	195	895	7080	7180	5500	11683	6958	700	1245	5215	2256	160	4000	4512	120	
30	280	280	195	895	7090	7190	5500	13401	7453	700	1245	5220	2289	200	4000	4577	120	

© Demag Cranes & Components GmbH

1) Minimum dimension, includes 100 mm clearance

2) Minimum dimension, includes 500 mm clearance

All dimensions in mm (L_{kr} in m).

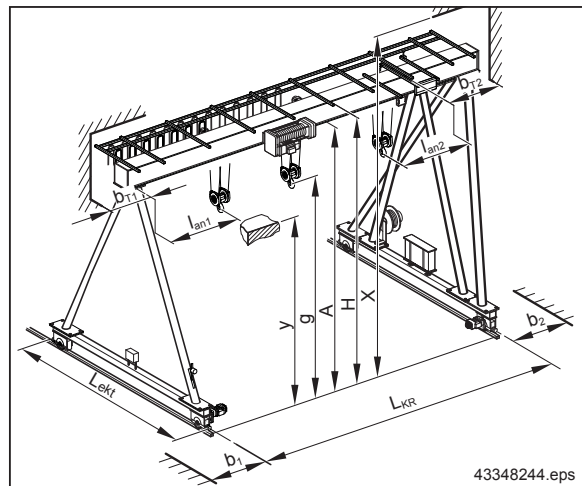
Weights **max. R** and **G_e** are in kg.

All structural dimensions, approach dimensions and information on the crane runway dimensions are based on the standard design presented in this catalogue. Any deviations must be checked.

20373744.indd0808112

EVPE load capacity 6,3 t

Overall height: A8 m
 Trolley: DFW-P ___ / ___
 Travelling hoist: 1x EKDR 10 - 6,3 2/1 - 20,0 Z - 18



Hook path: 20 m; hoist speed: 8/1,4 m/min;
 0,4 - 9 m/min or 0,4 - 8 m/min infinitely variable;
 cross-travel speed up to 30 m/min infinitely variable

Crane										Travelling hoist			Travel unit				
L _{KR}	b ₁ 1)	b ₂ 1)	b _{T1} 1)	b _{T2} 1)	H	X 1)	y 2)	GG	R _{max}	l _{an1}	l _{an2}	g	l _{an3} /l _{an4}	d	ekt	L _{ekt}	DPZ
4	270	270	195	895	8464	8564	7500	4038	4043	580	1125	7336	3209	125	6000	6417	100
5	270	270	195	895	8466	8566	7500	4177	4280	580	1125	7336	3209	125	6000	6417	100
6	270	270	195	895	8468	8568	7500	4255	4432	580	1125	7340	3209	125	6000	6417	100
7	270	270	195	895	8468	8568	7500	4398	4545	580	1125	7340	2986	160	5500	5972	100
8	270	270	195	895	8470	8570	7500	4553	4659	580	1125	7340	2986	160	5500	5972	100
9	270	270	195	895	8568	8668	7500	5320	4932	580	1125	7340	3236	160	6000	6472	100
10	270	270	195	895	8570	8670	7500	5527	5073	580	1125	7340	2986	160	5500	5972	100
11	270	270	195	895	8668	8768	7500	5716	5100	580	1125	7340	2986	160	5500	5972	100
12	270	270	195	895	8668	8768	7500	5852	5168	580	1125	7340	2986	160	5500	5972	100
13	270	270	195	895	8672	8772	7500	6145	5278	580	1125	7340	2986	160	5500	5972	100
14	270	270	195	895	8770	8870	7500	6375	5365	580	1125	7340	2986	160	5500	5972	100
15	270	270	195	895	8772	8872	7500	6601	5420	580	1125	7340	2986	160	5500	5972	100
16	270	270	195	895	8776	8876	7500	7020	5522	700	1245	7340	3236	160	6000	6472	100
17	270	270	195	895	8870	8970	7500	7135	5608	700	1245	7340	2986	160	5500	5972	100
18	270	270	195	895	8876	8976	7500	7593	5755	700	1245	7340	2986	160	5500	5972	100
19	270	270	195	895	8870	8970	7500	7825	5832	700	1245	7340	3006	160	5500	6012	120
20	270	270	195	895	8970	9070	7500	8220	5958	700	1245	7340	3006	160	5500	6012	120
21	270	270	195	895	8970	9070	7500	8419	6025	700	1245	7340	3006	160	5500	6012	120
22	270	270	195	965	8972	9072	7500	8834	6155	700	1245	7340	3006	160	5500	6012	120
23	270	270	195	965	8976	9076	7500	9390	6375	700	1245	7340	2756	160	5000	5512	120
24	270	270	195	1035	8972	9072	7500	9987	6560	700	1245	7215	2756	160	5000	5512	120
25	270	270	195	1035	9070	9170	7500	10227	6638	700	1245	7215	2756	160	5000	5512	120
26	280	280	195	1035	9070	9170	7500	10502	6786	700	1245	7215	2539	200	4500	5077	120
27	280	280	195	1035	9072	9172	7500	11021	6944	700	1245	7215	2539	200	4500	5077	120
28	280	280	195	1105	9076	9176	7500	11890	7211	700	1245	7215	2539	200	4500	5077	120
29	280	280	195	1175	9080	9180	7500	12735	7565	700	1245	7215	2289	200	4000	4577	120
30	280	280	195	1175	9090	9190	7500	13028	7656	700	1245	7220	2289	200	4000	4577	120

1) Minimum dimension, includes 100 mm clearance

2) Minimum dimension, includes 500 mm clearance

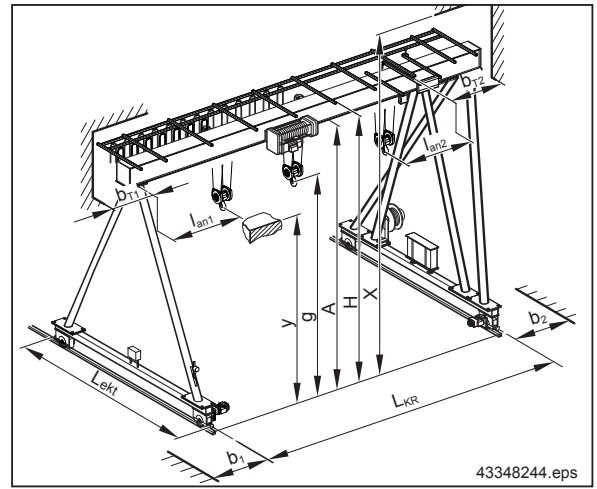
All dimensions in mm (L_{KR} in m).

Weights **max. R** and **G_e** are in kg.

All structural dimensions, approach dimensions and information on the crane runway dimensions are based on the standard design presented in this catalogue. Any deviations must be checked.

EVPE load capacity 6,3 t

Overall height: **A10 m**
 Trolley: **DFW-P ___ / ___**
 Travelling hoist: **1x EKDR 10 - 6,3 2/1 - 20,0 Z - 18**



Hook path: 20 m; hoist speed: 8/1,4 m/min;
 0,4 - 9 m/min or 0,4 - 8 m/min infinitely variable;
 cross-travel speed up to 30 m/min infinitely variable

Crane										Travelling hoist			Travel unit				
L _{KR}	b ₁ 1)	b ₂ 1)	b _{T1} 1)	b _{T2} 1)	H	X 1)	y 2)	GG	R _{max}	l _{an1}	l _{an2}	g	l _{an3} /l _{an4}	d	ekt	L _{ekt}	DPZ
4	270	270	195	895	10464	10564	9500	5222	4508	580	1125	9336	3209	125	6000	6417	100
5	270	270	195	895	10466	10566	9500	5361	4745	580	1125	9336	3209	125	6000	6417	100
6	270	270	195	895	10468	10568	9500	5439	4898	580	1125	9340	3209	125	6000	6417	100
7	270	270	195	895	10468	10568	9500	5652	4975	580	1125	9340	3236	160	6000	6472	100
8	270	270	195	895	10470	10570	9500	5807	5089	580	1125	9340	3236	160	6000	6472	100
9	270	270	195	895	10568	10668	9500	6066	5182	580	1125	9340	3486	160	6500	6972	100
10	270	270	195	895	10570	10670	9500	6259	5320	580	1125	9340	3236	160	6000	6472	100
11	270	270	195	895	10668	10768	9500	6448	5412	580	1125	9340	3236	160	6000	6472	100
12	270	270	195	895	10668	10768	9500	6584	5480	580	1125	9340	3236	160	6000	6472	100
13	270	270	195	895	10672	10772	9500	6877	5590	580	1125	9340	3236	160	6000	6472	100
14	270	270	195	895	10770	10870	9500	7197	5665	580	1125	9340	3486	160	6500	6972	100
15	270	270	195	895	10772	10872	9500	7423	5719	580	1125	9340	3486	160	6500	6972	100
16	270	270	195	895	10776	10876	9500	7676	5852	700	1245	9340	3236	160	6000	6472	100
17	270	270	195	895	10870	10970	9500	7867	5924	700	1245	9340	3236	160	6000	6472	100
18	270	270	195	895	10876	10976	9500	8325	6074	700	1245	9340	3236	160	6000	6472	100
19	270	270	195	895	10870	10970	9500	8557	6152	700	1245	9340	3256	160	6000	6512	120
20	270	270	195	895	10970	11070	9500	8952	6279	700	1245	9340	3256	160	6000	6512	120
21	270	270	195	895	10970	11070	9500	9151	6346	700	1245	9340	3256	160	6000	6512	120
22	270	270	195	965	10972	11072	9500	9566	6478	700	1245	9340	3256	160	6000	6512	120
23	270	270	195	965	10976	11076	9500	10192	6669	700	1245	9340	3256	160	6000	6512	120
24	270	270	195	1035	10972	11072	9500	10789	6854	700	1245	9215	3256	160	6000	6512	120
25	270	270	195	1035	11070	11170	9500	10947	6969	700	1245	9215	3006	160	5500	6012	120
26	280	280	195	1035	11070	11170	9500	11398	7038	700	1245	9215	3289	200	6000	6577	120
27	280	280	195	1035	11072	11172	9500	11917	7195	700	1245	9215	3289	200	6000	6577	120
28	280	280	195	1105	11076	11176	9500	12786	7458	700	1245	9215	3289	200	6000	6577	120
29	280	280	195	1175	11080	11180	9500	13703	7735	700	1245	9215	3289	200	6000	6577	120
30	280	280	195	1175	11090	11190	9500	13996	7823	700	1245	9220	3289	200	6000	6577	120

© Demag Cranes & Components GmbH

1) Minimum dimension, includes 100 mm clearance
 2) Minimum dimension, includes 500 mm clearance
 All dimensions in mm (L_{Kr} in m).
 Weights **max. R** and **G_e** are in kg.

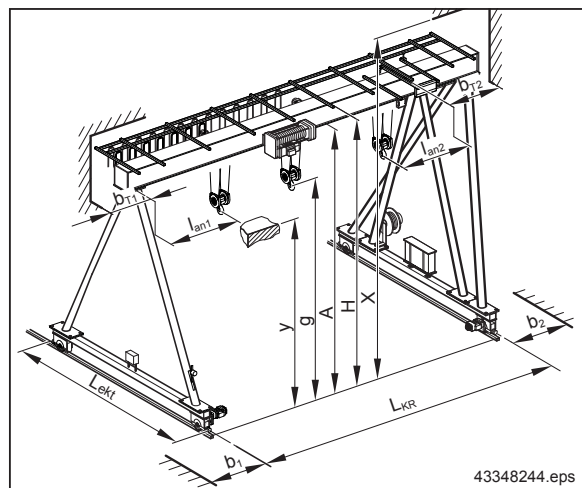
All structural dimensions, approach dimensions and information on the crane runway dimensions are based on the standard design presented in this catalogue. Any deviations must be checked.

20373744.indd0808112

EVPE load capacity 6,3 t

Overall height: A4 m
 Trolley: DFW-P ___ / ___
 Travelling hoist: 1x EKDR 10 - 6,3 4/1 - 10,0 Z - 12,5

Hook path: 10 m; hoist speed: 5/0,8 m/min;
 0,5 - 9 m/min or 0,5 - 12,5 m/min infinitely variable;
 cross-travel speed up to 30 m/min infinitely variable



43348244.eps

Crane										Travelling hoist			Travel unit				
L _{KR}	b ₁ 1)	b ₂ 1)	b _{T1} 1)	b _{T2} 1)	H	X 1)	y 2)	GG	R _{max}	l _{an1}	l _{an2}	g	l _{an3} /l _{an4}	d	ekt	L _{ekt}	DPZ
4	270	270	140	540	4464	4564	3500	2937	3608	700	1005	3476	2459	125	4500	4917	100
5	270	270	140	540	4464	4564	3500	3046	3792	700	1005	3476	2459	125	4500	4917	100
6	270	270	140	540	4464	4564	3500	3154	3941	700	1005	3476	2459	125	4500	4917	100
7	270	270	140	540	4468	4568	3500	3263	4055	700	1005	3480	2459	125	4500	4917	100
8	270	270	140	540	4470	4570	3500	3426	4196	700	1005	3480	2209	125	4000	4417	100
9	270	270	140	540	4568	4668	3500	3769	4288	700	1005	3480	2459	125	4500	4917	100
10	270	270	140	540	4570	4670	3500	3788	4359	700	1005	3480	2209	125	4000	4417	100
11	270	270	140	540	4670	4770	3500	4099	4481	700	1005	3480	2209	125	4000	4417	100
12	270	270	140	540	4670	4770	3500	4180	4530	700	1005	3480	2209	125	4000	4417	100
13	270	270	140	540	4672	4772	3500	4336	4636	700	1005	3480	1959	125	3500	3917	100
14	270	270	140	540	4770	4870	3500	4674	4712	700	1005	3480	1986	160	3500	3972	100
15	270	270	140	540	4772	4872	3500	4901	4728	700	1005	3480	2236	160	4000	4472	100
16	270	270	140	540	4776	4876	3500	5238	4878	820	1125	3480	1986	160	3500	3972	100
17	270	270	140	540	4870	4970	3500	5429	4947	820	1125	3480	1986	160	3500	3972	100
18	270	270	140	540	4872	4972	3500	5924	5058	820	1125	3480	1986	160	3500	3972	100
19	270	270	140	540	4876	4976	3500	6115	5122	820	1125	3480	1986	160	3500	3972	100
20	270	270	140	540	4972	5072	3500	6820	5331	820	1125	3480	1986	160	3500	3972	100
21	270	270	140	540	4970	5070	3500	7036	5399	820	1125	3480	1986	160	3500	3972	100
22	270	270	140	540	4972	5072	3500	7102	5428	820	1125	3480	1986	160	3500	3972	100
23	270	270	140	540	4976	5076	3500	7820	5642	820	1125	3480	1986	160	3500	3972	100
24	270	270	140	540	4972	5072	3500	8045	5711	820	1125	3355	1986	160	3500	3972	100
25	270	270	140	540	4976	5076	3500	8635	5883	820	1125	3355	1986	160	3500	3972	100
26	270	270	140	540	4976	5076	3500	0	5958	820	1125	3355	1986	160	3500	3972	100
27	270	270	140	540	5072	5172	3500	9186	6005	820	1125	3355	2236	160	4000	4472	100
28	270	270	140	540	5076	5176	3500	10300	6318	820	1125	3355	2236	160	4000	4472	100
29	270	270	140	540	5080	5180	3500	11187	6567	820	1125	3355	2236	160	4000	4472	100
30	280	280	140	540	5080	5180	3500	12121	6827	820	1125	3355	2269	200	4000	4537	100

1) Minimum dimension, includes 100 mm clearance

2) Minimum dimension, includes 500 mm clearance

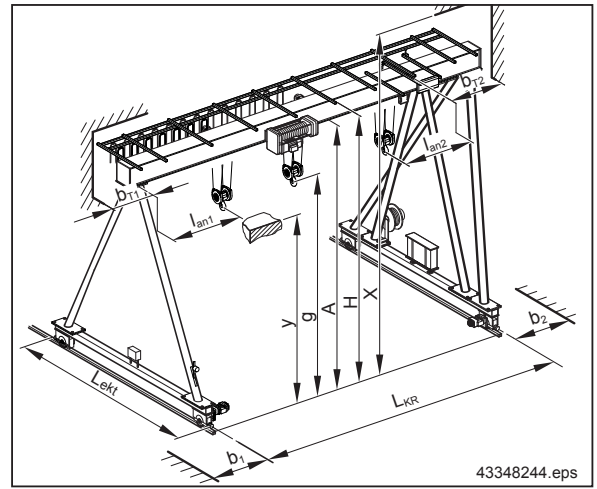
All dimensions in mm (L_{KR} in m).

Weights max. R and G_e are in kg.

All structural dimensions, approach dimensions and information on the crane runway dimensions are based on the standard design presented in this catalogue. Any deviations must be checked.

EVPE load capacity 6,3 t

Overall height: **A6 m**
 Trolley: **DFW-P ___ / ___**
 Travelling hoist: **1x EKDR 10 - 6,3 4/1 - 10,0 Z - 12,5**



Hook path: 10 m; hoist speed: 5/0,8 m/min;
 0,5 - 9 m/min or 0,5 - 12,5 m/min infinitely variable;
 cross-travel speed up to 30 m/min infinitely variable

Crane										Travelling hoist			Travel unit				
L _{KR}	b ₁ 1)	b ₂ 1)	b _{T1} 1)	b _{T2} 1)	H	X 1)	y 2)	GG	R _{max}	l _{an1}	l _{an2}	g	l _{an3} /l _{an4}	d	ekt	L _{ekt}	DPZ
4	270	270	195	895	6464	6564	5500	3596	3934	700	1005	5476	2709	125	5000	5417	100
5	270	270	195	895	6464	6564	5500	3705	4140	700	1005	5476	2709	125	5000	5417	100
6	270	270	195	895	6464	6564	5500	3883	4276	700	1005	5476	2959	125	5500	5917	100
7	270	270	195	895	6468	6568	5500	3992	4391	700	1005	5480	2959	125	5500	5917	100
8	270	270	195	895	6470	6570	5500	4164	4539	700	1005	5480	2709	125	5000	5417	100
9	270	270	195	895	6568	6668	5500	4438	4624	700	1005	5480	2709	125	5000	5417	100
10	270	270	195	895	6570	6670	5500	4529	4688	700	1005	5480	2709	125	5000	5417	100
11	270	270	195	895	6670	6770	5500	4845	4812	700	1005	5480	2709	125	5000	5417	100
12	270	270	195	895	6670	6770	5500	4924	4860	700	1005	5480	2709	125	5000	5417	100
13	270	270	195	895	6672	6772	5500	5145	4947	700	1005	5480	2709	125	5000	5417	100
14	270	270	195	895	6770	6870	5500	5485	5060	700	1005	5480	2736	160	5000	5472	100
15	270	270	195	895	6772	6872	5500	5572	5112	700	1005	5480	2486	160	4500	4972	100
16	270	270	195	895	6776	6876	5500	6054	5174	820	1125	5480	2736	160	5000	5472	100
17	270	270	195	895	6870	6970	5500	6175	5261	820	1125	5480	2486	160	4500	4972	100
18	270	270	195	895	6872	6972	5500	6676	5416	820	1125	5480	2486	160	4500	4972	100
19	270	270	195	895	6876	6976	5500	6867	5481	820	1125	5480	2486	160	4500	4972	100
20	270	270	195	895	6972	7072	5500	7579	5696	820	1125	5480	2486	160	4500	4972	100
21	270	270	195	895	6970	7070	5500	7795	5765	820	1125	5480	2486	160	4500	4972	100
22	270	270	195	895	6972	7072	5500	7859	5792	820	1125	5480	2486	160	4500	4972	100
23	270	270	195	895	6976	7076	5500	8486	5978	820	1125	5480	2486	160	4500	4972	100
24	270	270	195	895	6972	7072	5500	8711	6048	820	1125	5355	2486	160	4500	4972	100
25	270	270	195	895	6976	7076	5500	9306	6224	820	1125	5355	2486	160	4500	4972	100
26	270	270	195	895	6976	7076	5500	9615	6271	820	1125	5355	2736	160	5000	5472	100
27	270	270	195	895	7072	7172	5500	9857	6343	820	1125	5355	2736	160	5000	5472	100
28	270	270	195	895	7076	7176	5500	10911	6697	820	1125	5355	2486	160	4500	4972	100
29	270	270	195	895	7080	7180	5500	11803	6954	820	1125	5355	2486	160	4500	4972	100
30	280	280	195	895	7080	7180	5500	12824	7188	820	1125	5355	2769	200	5000	5537	100

© Demag Cranes & Components GmbH

1) Minimum dimension, includes 100 mm clearance

2) Minimum dimension, includes 500 mm clearance

All dimensions in mm (L_{kr} in m).

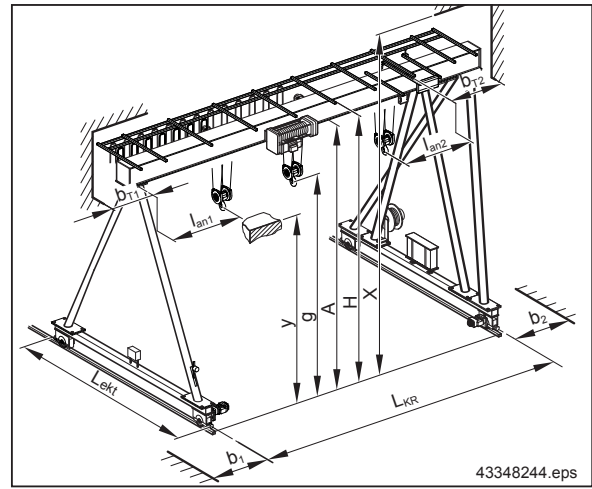
Weights **max. R** and **G_e** are in kg.

All structural dimensions, approach dimensions and information on the crane runway dimensions are based on the standard design presented in this catalogue. Any deviations must be checked.

20373744.indd0808112

EVPE load capacity 6,3 t

Overall height: A8 m
 Trolley: DFW-P ___ / ___
 Travelling hoist: 1x EKDR 10 - 6,3 4/1 - 10,0 Z - 12,5



Hook path: 10 m; hoist speed: 5/0,8 m/min;
 0,5 - 9 m/min or 0,5 - 12,5 m/min infinitely variable;
 cross-travel speed up to 30 m/min infinitely variable

Crane										Travelling hoist			Travel unit				
L _{KR}	b ₁ 1)	b ₂ 1)	b _{T1} 1)	b _{T2} 1)	H	X 1)	y 2)	GG	R _{max}	l _{an1}	l _{an2}	g	l _{an3} /l _{an4}	d	ekt	L _{ekt}	DPZ
4	270	270	195	895	8464	8564	7500	4188	4198	700	1005	7476	3236	160	6000	6472	100
5	270	270	195	895	8464	8564	7500	4297	4405	700	1005	7476	3236	160	6000	6472	100
6	270	270	195	895	8464	8564	7500	4335	4573	700	1005	7476	2986	160	5500	5972	100
7	270	270	195	895	8468	8568	7500	4444	4630	700	1005	7480	2986	160	5500	5972	100
8	270	270	195	895	8470	8570	7500	4686	4766	700	1005	7480	2986	160	5500	5972	100
9	270	270	195	965	8568	8668	7500	5039	4886	700	1005	7480	3236	160	6000	6472	100
10	270	270	195	1035	8570	8670	7500	5139	4955	700	1005	7480	3236	160	6000	6472	100
11	270	270	195	1035	8670	8770	7500	5457	5080	700	1005	7480	3236	160	6000	6472	100
12	270	270	195	1035	8670	8770	7500	5536	5127	700	1005	7480	3236	160	6000	6472	100
13	270	270	195	1035	8672	8772	7500	5758	5154	700	1005	7480	3236	160	6000	6472	100
14	270	270	195	1105	8770	8870	7500	5999	5246	700	1005	7480	3236	160	6000	6472	100
15	270	270	195	1105	8772	8872	7500	6156	5278	700	1005	7480	3236	160	6000	6472	100
16	270	270	195	1105	8776	8876	7500	6501	5430	820	1125	7480	2986	160	5500	5972	100
17	270	270	195	1105	8870	8970	7500	6693	5500	820	1125	7480	2986	160	5500	5972	100
18	270	270	195	1105	8872	8972	7500	7719	5840	820	1125	7480	2986	160	5500	5972	100
19	270	270	195	1105	8876	8976	7500	7909	5904	820	1125	7480	2986	160	5500	5972	100
20	270	270	195	1105	8972	9072	7500	8627	6123	820	1125	7480	3006	160	5500	6012	120
21	270	270	195	1105	8970	9070	7500	8843	6192	820	1125	7480	3006	160	5500	6012	120
22	270	270	195	1105	8972	9072	7500	8906	6219	820	1125	7480	3006	160	5500	6012	120
23	270	270	195	1105	8976	9076	7500	9467	6441	820	1125	7480	2756	160	5000	5512	120
24	270	270	195	1105	8972	9072	7500	9692	6511	820	1125	7355	2756	160	5000	5512	120
25	270	270	195	1105	8976	9076	7500	10289	6692	820	1125	7355	2756	160	5000	5512	120
26	270	270	195	1105	8976	9076	7500	10529	6768	820	1125	7355	2756	160	5000	5512	120
27	270	270	195	1105	9072	9172	7500	10770	6842	820	1125	7355	2756	160	5000	5512	120
28	280	280	195	1105	9076	9176	7500	11936	7255	820	1125	7355	2539	200	4500	5077	120
29	280	280	195	1105	9080	9180	7500	12761	7597	820	1125	7355	2289	200	4000	4577	120
30	280	280	195	1105	9080	9180	7500	13596	7852	820	1125	7355	2289	200	4000	4577	120

1) Minimum dimension, includes 100 mm clearance

2) Minimum dimension, includes 500 mm clearance

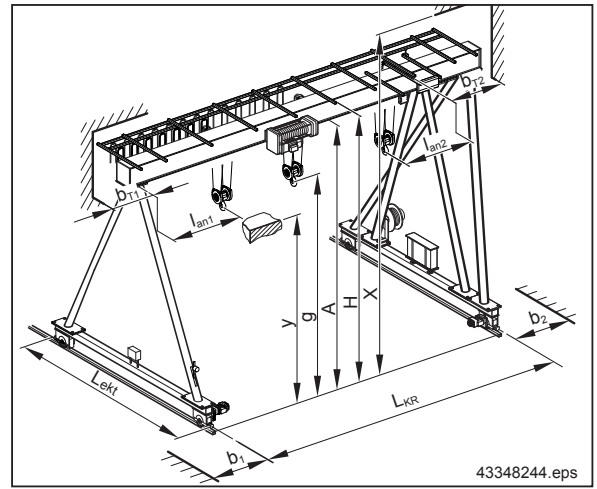
All dimensions in mm (L_{KR} in m).

Weights max. R and G_e are in kg.

All structural dimensions, approach dimensions and information on the crane runway dimensions are based on the standard design presented in this catalogue. Any deviations must be checked.

EVPE load capacity 6,3 t

Overall height: **A10 m**
 Trolley: **DFW-P ___ / ___**
 Travelling hoist: **1x EKDR 10 - 6,3 4/1 - 10,0 Z - 12,5**



Hook path: 10 m; hoist speed: 5/0,8 m/min;
 0,5 - 9 m/min or 0,5 - 12,5 m/min infinitely variable;
 cross-travel speed up to 30 m/min infinitely variable

Crane										Travelling hoist			Travel unit				
L _{KR}	b ₁ 1)	b ₂ 1)	b _{T1} 1)	b _{T2} 1)	H	X 1)	y 2)	GG	R _{max}	lan1	lan2	g	lan3 / lan4	d	ekt	L _{ekt}	DPZ
4	270	270	195	895	10464	10564	9500	5462	4649	700	1005	9476	3486	160	6500	6972	100
5	270	270	195	895	10464	10564	9500	5571	4856	700	1005	9476	3486	160	6500	6972	100
6	270	270	195	895	10464	10564	9500	5679	4936	700	1005	9476	3486	160	6500	6972	100
7	270	270	195	895	10468	10568	9500	5698	5061	700	1005	9480	3236	160	6000	6472	100
8	270	270	195	895	10470	10570	9500	6030	5185	700	1005	9480	3486	160	6500	6972	100
9	270	270	195	895	10568	10668	9500	6214	5327	700	1005	9480	3236	160	6000	6472	100
10	270	270	195	895	10570	10670	9500	6305	5392	700	1005	9480	3236	160	6000	6472	100
11	270	270	195	895	10670	10770	9500	6621	5516	700	1005	9480	3236	160	6000	6472	100
12	270	270	195	895	10670	10770	9500	6700	5564	700	1005	9480	3236	160	6000	6472	100
13	270	270	195	895	10672	10772	9500	7011	5638	700	1005	9480	3486	160	6500	6972	100
14	270	270	195	895	10770	10870	9500	7241	5724	700	1005	9480	3486	160	6500	6972	100
15	270	270	195	895	10772	10872	9500	7398	5756	700	1005	9480	3486	160	6500	6972	100
16	270	270	195	895	10776	10876	9500	7720	5908	820	1125	9480	3236	160	6000	6472	100
17	270	270	195	895	10870	10970	9500	7911	5978	820	1125	9480	3236	160	6000	6472	100
18	280	280	195	895	10872	10972	9500	8542	6168	820	1125	9480	3289	200	6000	6577	120
19	280	280	195	895	10876	10976	9500	8733	6235	820	1125	9480	3289	200	6000	6577	120
20	280	280	195	965	10972	11072	9500	9460	6461	820	1125	9480	3289	200	6000	6577	120
21	280	280	195	965	10970	11070	9500	9864	6498	820	1125	9480	3769	200	7000	7537	100
22	280	280	195	965	10972	11072	9500	9740	6559	820	1125	9480	3289	200	6000	6577	120
23	280	280	195	965	10976	11076	9500	10278	6780	820	1125	9480	3039	200	5500	6077	120
24	280	280	195	965	10972	11072	9500	10503	6852	820	1125	9355	3039	200	5500	6077	120
25	280	280	195	1035	10976	11076	9500	11115	7043	820	1125	9355	3039	200	5500	6077	120
26	280	280	195	1035	10976	11076	9500	11354	7120	820	1125	9355	3039	200	5500	6077	120
27	280	280	195	1035	11072	11172	9500	11596	7195	820	1125	9355	3039	200	5500	6077	120
28	280	280	195	1035	11076	11176	9500	12629	7584	820	1125	9355	2789	200	5000	5577	120
29	280	280	195	1035	11080	11180	9500	13525	7854	820	1125	9355	2789	200	5000	5577	120
30	280	280	195	1105	11080	11180	9500	14380	8120	820	1125	9355	2789	200	5000	5577	120

© Demag Cranes & Components GmbH

1) Minimum dimension, includes 100 mm clearance
 2) Minimum dimension, includes 500 mm clearance
 All dimensions in mm (L_{kr} in m).
 Weights **max. R** and **G_e** are in kg.

All structural dimensions, approach dimensions and information on the crane runway dimensions are based on the standard design presented in this catalogue. Any deviations must be checked.

20373744.indd0808112

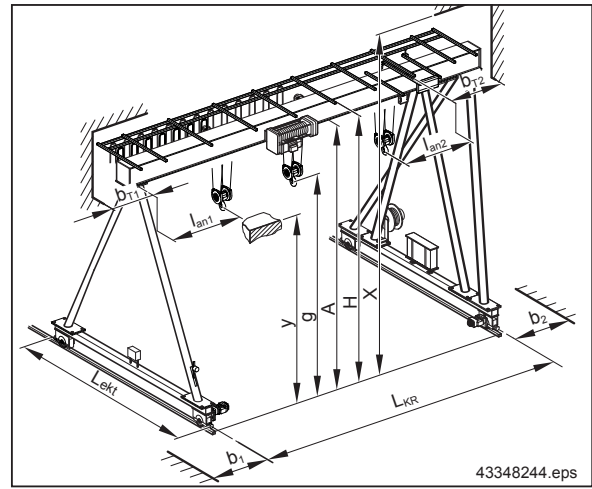
EVPE load capacity 6,3 t

Overall height: A4 m

Trolley: DFW-P ___ / ___

Travelling hoist: 1x EKDR 10 - 6,3 4/2 - 11,35 Z - 18

Hook path: 11,35 m; hoist speed: 8/1,4 m/min;
0,4 - 9 m/min or 1 - 18 m/min infinitely variable;
cross-travel speed up to 30 m/min infinitely variable



43348244.eps

Crane										Travelling hoist			Travel unit				
L _{KR}	b ₁ 1)	b ₂ 1)	b _{T1} 1)	b _{T2} 1)	H	X 1)	y 2)	GG	R _{max}	l _{an1}	l _{an2}	g	l _{an3} /l _{an4}	d	ekt	L _{ekt}	DPZ
4	270	270	140	540	4464	4564	3500	2893	3747	860	845	3451	2459	125	4500	4917	100
5	270	270	140	540	4464	4564	3500	3002	3925	860	845	3451	2459	125	4500	4917	100
6	270	270	140	540	4464	4564	3500	3108	4029	860	845	3451	2459	125	4500	4917	100
7	270	270	140	540	4464	4564	3500	3219	4130	860	845	3451	2459	125	4500	4917	100
8	270	270	140	540	4564	4664	3500	3345	4251	860	845	3451	2209	125	4000	4417	100
9	270	270	140	540	4564	4664	3500	3465	4325	860	845	3451	2209	125	4000	4417	100
10	270	270	140	540	4664	4764	3500	3582	4362	860	845	3451	2209	125	4000	4417	100
11	270	270	140	540	4664	4764	3500	3817	4455	860	845	3451	2209	125	4000	4417	100
12	270	270	140	540	4666	4766	3500	4014	4533	860	845	3451	2209	125	4000	4417	100
13	270	270	140	540	4764	4864	3500	4208	4608	860	845	3451	2209	125	4000	4417	100
14	270	270	140	540	4766	4866	3500	4470	4699	860	845	3451	1986	160	3500	3972	100
15	270	270	140	540	4864	4964	3500	4874	4762	860	845	3451	2236	160	4000	4472	100
16	270	270	140	540	4864	4964	3500	5074	4836	980	965	3451	2209	125	4000	4417	100
17	270	270	140	540	4868	4968	3500	5242	4897	980	965	3451	2209	125	4000	4417	100
18	270	270	140	540	4964	5064	3500	5554	5033	980	965	3451	1986	160	3500	3972	100
19	270	270	195	895	4966	5066	3500	6329	5243	980	965	3451	1986	160	3500	3972	100
20	270	270	195	895	4966	5066	3500	6630	5386	980	965	3451	1736	160	3000	3472	100
21	270	270	195	895	4968	5068	3500	6901	5419	980	965	3451	1986	160	3500	3972	100
22	270	270	195	895	4966	5066	3500	7498	5595	980	965	3351	1986	160	3500	3972	100
23	270	270	195	895	4968	5068	3500	7948	5728	980	965	3351	1986	160	3500	3972	100
24	270	270	195	895	4972	5072	3500	8528	5898	980	965	3355	1986	160	3500	3972	100
25	270	270	195	895	5068	5168	3500	8485	5893	980	965	3355	1986	160	3500	3972	100
26	270	270	195	895	5070	5170	3500	9009	6043	980	965	3355	1986	160	3500	3972	100
27	270	270	195	895	5072	5172	3500	9599	6169	980	965	3355	2236	160	4000	4472	100
28	270	270	195	895	5076	5176	3500	10451	6407	980	965	3355	2236	160	4000	4472	100
29	270	270	195	895	5080	5180	3500	11341	6659	980	965	3355	2236	160	4000	4472	100
30	280	280	195	895	5090	5190	3500	13059	7137	980	965	3360	2269	200	4000	4537	100

1) Minimum dimension, includes 100 mm clearance

2) Minimum dimension, includes 500 mm clearance

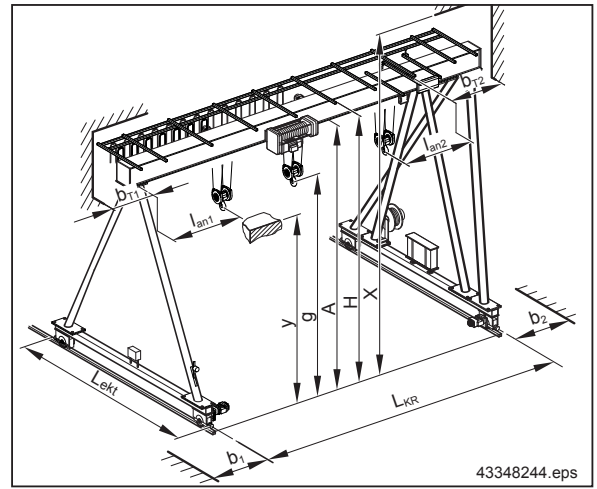
All dimensions in mm (L_{KR} in m).

Weights **max. R** and **G_e** are in kg.

All structural dimensions, approach dimensions and information on the crane runway dimensions are based on the standard design presented in this catalogue. Any deviations must be checked.

EVPE load capacity 6,3 t

Overall height: **A6 m**
 Trolley: **DFW-P ___ / ___**
 Travelling hoist: **1x EKDR 10 - 6,3 4/2 - 11,35 Z - 18**



Hook path: 11,35 m; hoist speed: 8/1,4 m/min;
 0,4 - 9 m/min or 1 - 18 m/min infinitely variable;
 cross-travel speed up to 30 m/min infinitely variable

Crane										Travelling hoist			Travel unit					
L _{KR}	b ₁ 1)	b ₂ 1)	b _{T1} 1)	b _{T2} 1)	H	X 1)	y 2)	GG	R _{max}	l _{an1}	l _{an2}	g	l _{an3} /l _{an4}	d	ekt	L _{ekt}	DPZ	
4	270	270	195	895	6464	6564	5500	3552	4110	860	845	5451	2709	125	5000	5417	100	
5	270	270	195	895	6464	6564	5500	3661	4244	860	845	5451	2709	125	5000	5417	100	
6	270	270	195	895	6464	6564	5500	3837	4359	860	845	5451	2959	125	5500	5917	100	
7	270	270	195	895	6464	6564	5500	3948	4461	860	845	5451	2959	125	5500	5917	100	
8	270	270	195	895	6564	6664	5500	4081	4588	860	845	5451	2709	125	5000	5417	100	
9	270	270	195	895	6564	6664	5500	4202	4662	860	845	5451	2709	125	5000	5417	100	
10	270	270	195	895	6664	6764	5500	4318	4729	860	845	5451	2709	125	5000	5417	100	
11	270	270	195	895	6664	6764	5500	4556	4779	860	845	5451	2709	125	5000	5417	100	
12	270	270	195	895	6666	6766	5500	4684	4877	860	845	5451	2459	125	4500	4917	100	
13	270	270	195	895	6764	6864	5500	4951	4934	860	845	5451	2709	125	5000	5417	100	
14	270	270	195	895	6766	6866	5500	5278	5039	860	845	5451	2736	160	5000	5472	100	
15	270	270	195	895	6864	6964	5500	5545	5144	860	845	5451	2486	160	4500	4972	100	
16	270	270	195	895	6864	6964	5500	5934	5174	980	965	5451	2736	160	5000	5472	100	
17	270	270	195	895	6868	6968	5500	6032	5252	980	965	5451	2486	160	4500	4972	100	
18	270	270	195	895	6964	7064	5500	6301	5339	980	965	5451	2486	160	4500	4972	100	
19	270	270	195	895	6966	7066	5500	6821	5498	980	965	5451	2486	160	4500	4972	100	
20	270	270	195	895	6966	7066	5500	7192	5611	980	965	5451	2486	160	4500	4972	100	
21	270	270	195	895	6968	7068	5500	7393	5676	980	965	5451	2486	160	4500	4972	100	
22	270	270	195	895	6966	7066	5500	7990	5853	980	965	5351	2486	160	4500	4972	100	
23	270	270	195	895	6968	7068	5500	8440	5987	980	965	5351	2486	160	4500	4972	100	
24	270	270	195	895	6972	7072	5500	9020	6160	980	965	5355	2486	160	4500	4972	100	
25	270	270	195	895	7068	7168	5500	8977	6154	980	965	5355	2486	160	4500	4972	100	
26	270	270	195	895	7070	7170	5500	9571	6277	980	965	5355	2736	160	5000	5472	100	
27	270	270	195	895	7072	7172	5500	10015	6458	980	965	5355	2486	160	4500	4972	100	
28	270	270	195	895	7076	7176	5500	10867	6703	980	965	5355	2486	160	4500	4972	100	
29	270	270	195	895	7080	7180	5500	11757	6960	980	965	5355	2486	160	4500	4972	100	
30	280	280	195	895	7090	7190	5500	13479	7449	980	965	5360	2519	200	4500	5037	100	

© Demag Cranes & Components GmbH

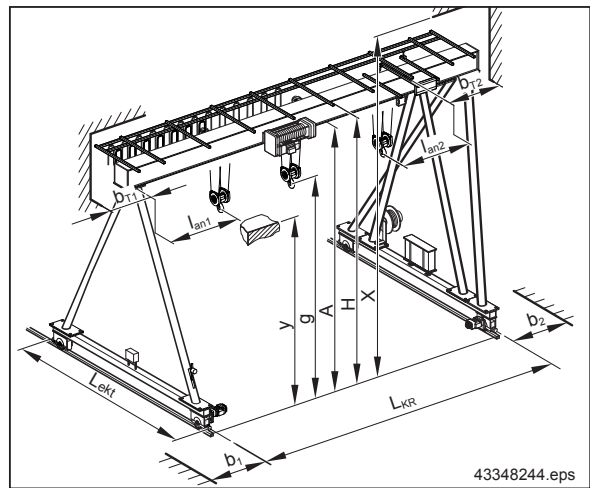
1) Minimum dimension, includes 100 mm clearance
 2) Minimum dimension, includes 500 mm clearance
 All dimensions in mm (L_{Kr} in m).
 Weights **max. R** and **G_e** are in kg.

All structural dimensions, approach dimensions and information on the crane runway dimensions are based on the standard design presented in this catalogue. Any deviations must be checked.

20373744.indd0808112

EVPE load capacity 6,3 t

Overall height: A8 m
 Trolley: DFW-P ___ / ___
 Travelling hoist: 1x EKDR 10 - 6,3 4/2 - 11,35 Z - 18



Hook path: 11,35 m; hoist speed: 8/1,4 m/min;
 0,4 - 9 m/min or 1 - 18 m/min infinitely variable;
 cross-travel speed up to 30 m/min infinitely variable

Crane										Travelling hoist			Travel unit				
L _{KR}	b ₁ 1)	b ₂ 1)	b _{T1} 1)	b _{T2} 1)	H	X 1)	y 2)	GG	R _{max}	l _{an1}	l _{an2}	g	l _{an3} /l _{an4}	d	ekt	L _{ekt}	DPZ
4	270	270	195	895	8464	8564	7500	4144	4328	860	845	7451	3236	160	6000	6472	100
5	270	270	195	965	8464	8564	7500	4191	4531	860	845	7451	2986	160	5500	5972	100
6	270	270	195	965	8464	8564	7500	4296	4660	860	845	7451	2986	160	5500	5972	100
7	270	270	195	965	8464	8564	7500	4407	4702	860	845	7451	2986	160	5500	5972	100
8	270	270	195	965	8564	8664	7500	4611	4817	860	845	7451	2986	160	5500	5972	100
9	270	270	195	965	8564	8664	7500	4732	4891	860	845	7451	2986	160	5500	5972	100
10	270	270	195	965	8664	8764	7500	4918	4942	860	845	7451	3236	160	6000	6472	100
11	270	270	195	895	8664	8764	7500	5600	5233	860	845	7451	2986	160	5500	5972	100
12	270	270	195	895	8666	8766	7500	5798	5247	860	845	7451	2986	160	5500	5972	100
13	270	270	195	895	8764	8864	7500	6071	5310	860	845	7451	3236	160	6000	6472	100
14	270	270	195	895	8766	8866	7500	6212	5400	860	845	7451	2986	160	5500	5972	100
15	270	270	195	895	8864	8964	7500	6549	5484	860	845	7451	2986	160	5500	5972	100
16	270	270	195	895	8864	8964	7500	6798	5614	980	965	7451	2736	160	5000	5472	100
17	270	270	195	895	8868	8968	7500	7112	5635	980	965	7451	3236	160	6000	6472	100
18	270	270	195	895	8964	9064	7500	7305	5739	980	965	7451	2986	160	5500	5972	100
19	270	270	195	895	8966	9066	7500	7825	5898	980	965	7451	3006	160	5500	6012	120
20	270	270	195	895	8966	9066	7500	8196	6012	980	965	7451	3006	160	5500	6012	120
21	270	270	195	895	8968	9068	7500	8397	6076	980	965	7451	3006	160	5500	6012	120
22	270	270	195	895	8966	9066	7500	8994	6255	980	965	7351	2986	160	5500	5972	100
23	270	270	195	895	8968	9068	7500	9374	6423	980	965	7351	2736	160	5000	5472	100
24	270	270	195	895	8972	9072	7500	9954	6597	980	965	7355	2756	160	5000	5512	120
25	270	270	195	895	9068	9168	7500	9911	6591	980	965	7355	2756	160	5000	5512	120
26	270	270	195	895	9070	9170	7500	10435	6746	980	965	7355	2756	160	5000	5512	120
27	270	270	195	895	9072	9172	7500	10879	6950	980	965	7355	2506	160	4500	5012	120
28	280	280	195	895	9076	9176	7500	11837	7228	980	965	7355	2539	200	4500	5077	120
29	280	280	195	965	9080	9180	7500	12675	7581	980	965	7355	2289	200	4000	4577	120
30	280	280	195	965	9090	9190	7500	14360	7981	980	965	7360	2539	200	4500	5077	120

1) Minimum dimension, includes 100 mm clearance
 2) Minimum dimension, includes 500 mm clearance

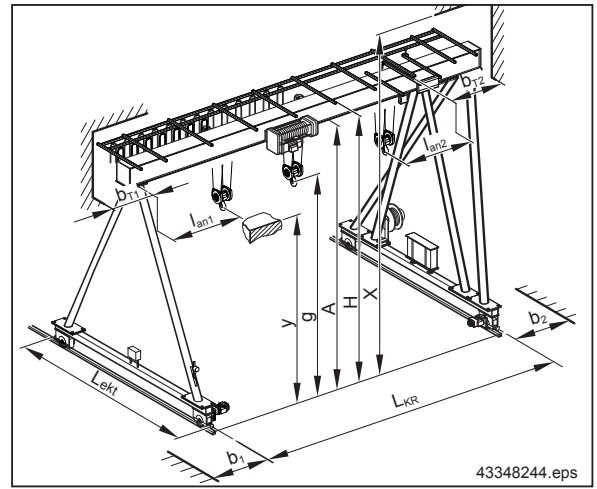
All dimensions in mm (L_{KR} in m).

Weights max. R and G_e are in kg.

All structural dimensions, approach dimensions and information on the crane runway dimensions are based on the standard design presented in this catalogue. Any deviations must be checked.

EVPE load capacity 6,3 t

Overall height: **A10 m**
 Trolley: **DFW-P ___ / ___**
 Travelling hoist: **1x EKDR 10 - 6,3 4/2 - 11,35 Z - 18**



Hook path: 11,35 m; hoist speed: 8/1,4 m/min;
 0,4 - 9 m/min or 1 - 18 m/min infinitely variable;
 cross-travel speed up to 30 m/min infinitely variable

Crane										Travelling hoist			Travel unit				
L _{KR}	b ₁ 1)	b ₂ 1)	b _{T1} 1)	b _{T2} 1)	H	X 1)	y 2)	GG	R _{max}	l _{an1}	l _{an2}	g	l _{an3} /l _{an4}	d	ekt	L _{ekt}	DPZ
4	270	270	195	895	10464	10564	9500	5418	4777	860	845	9451	3486	160	6500	6972	100
5	270	270	195	895	10464	10564	9500	5437	4972	860	845	9451	3236	160	6000	6472	100
6	270	270	195	895	10464	10564	9500	5543	5101	860	845	9451	3236	160	6000	6472	100
7	270	270	195	895	10464	10564	9500	5654	5127	860	845	9451	3236	160	6000	6472	100
8	270	270	195	895	10564	10664	9500	5857	5240	860	845	9451	3236	160	6000	6472	100
9	270	270	195	895	10564	10664	9500	6068	5303	860	845	9451	3486	160	6500	6972	100
10	270	270	195	895	10664	10764	9500	6184	5369	860	845	9451	3486	160	6500	6972	100
11	270	270	195	895	10664	10764	9500	6332	5477	860	845	9451	3236	160	6000	6472	100
12	270	270	195	895	10666	10766	9500	6530	5557	860	845	9451	3236	160	6000	6472	100
13	270	270	195	895	10764	10864	9500	6727	5634	860	845	9451	3236	160	6000	6472	100
14	270	270	195	895	10766	10866	9500	6944	5713	860	845	9451	3236	160	6000	6472	100
15	270	270	195	895	10864	10964	9500	7371	5782	860	845	9451	3486	160	6500	6972	100
16	270	270	195	895	10864	10964	9500	7600	5905	980	965	9451	3236	160	6000	6472	100
17	270	270	195	895	10868	10968	9500	7768	5966	980	965	9451	3236	160	6000	6472	100
18	270	270	195	895	10964	11064	9500	8037	6056	980	965	9451	3236	160	6000	6472	100
19	270	270	195	895	10966	11066	9500	8557	6217	980	965	9451	3256	160	6000	6512	120
20	270	270	195	895	10966	11066	9500	8928	6332	980	965	9451	3256	160	6000	6512	120
21	270	270	195	895	10968	11068	9500	9129	6398	980	965	9451	3256	160	6000	6512	120
22	270	270	195	965	10966	11066	9500	9741	6587	980	965	9351	3256	160	6000	6512	120
23	270	270	195	1035	10968	11068	9500	10125	6766	980	965	9351	3006	160	5500	6012	120
24	270	270	195	1035	10972	11072	9500	10707	6945	980	965	9355	3006	160	5500	6012	120
25	270	270	195	1035	11068	11168	9500	10662	6937	980	965	9355	3006	160	5500	6012	120
26	280	280	195	1035	11070	11170	9500	11310	7124	980	965	9355	3039	200	5500	6077	120
27	280	280	195	1035	11072	11172	9500	11825	7281	980	965	9355	3039	200	5500	6077	120
28	280	280	195	1035	11076	11176	9500	12585	7587	980	965	9355	2789	200	5000	5577	120
29	280	280	195	1035	11080	11180	9500	13479	7858	980	965	9355	2789	200	5000	5577	120
30	280	280	195	1105	11090	11190	9500	15118	8356	980	965	9360	2789	200	5000	5577	120

© Demag Cranes & Components GmbH

1) Minimum dimension, includes 100 mm clearance
 2) Minimum dimension, includes 500 mm clearance
 All dimensions in mm (L_{KR} in m).
 Weights **max. R** and **G_e** are in kg.

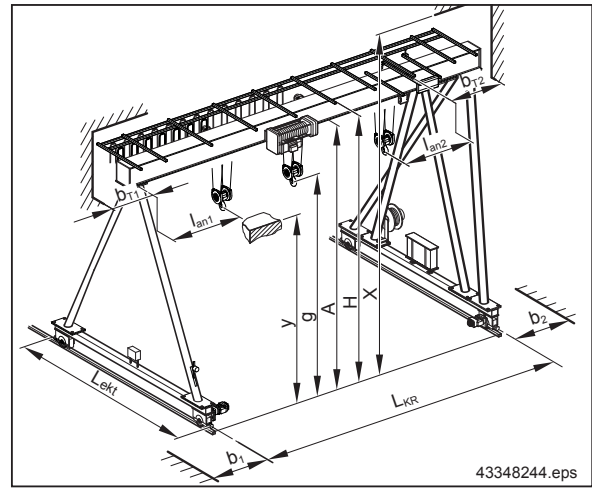
All structural dimensions, approach dimensions and information on the crane runway dimensions are based on the standard design presented in this catalogue. Any deviations must be checked.

20373744.indd0808112

EVPE load capacity 8,0 t

Overall height: A4 m
 Trolley: DFW-P ___ / ___
 Travelling hoist: 1x EKDR 10 - 8,0 4/1 - 10,0 Z - 12,5

Hook path: 10 m; hoist speed: 5/0,8 m/min;
 0,5 - 9 m/min or 0,5 - 12,5 m/min infinitely variable;
 cross-travel speed up to 30 m/min infinitely variable



Crane										Travelling hoist			Travel unit				
L _{KR}	b ₁ 1)	b ₂ 1)	b _{T1} 1)	b _{T2} 1)	H	X 1)	y 2)	GG	R _{max}	l _{an1}	l _{an2}	g	l _{an3} /l _{an4}	d	ekt	L _{ekt}	DPZ
4	270	270	140	540	4470	4570	3500	3005	4339	675	1030	3480	2459	125	4500	4917	100
5	270	270	140	540	4470	4570	3500	3130	4601	675	1030	3480	2459	125	4500	4917	100
6	270	270	140	540	4470	4570	3500	3252	4786	675	1030	3480	2459	125	4500	4917	100
7	270	270	140	540	4470	4570	3500	3377	4897	675	1030	3480	2459	125	4500	4917	100
8	270	270	195	895	4570	4670	3500	3883	5149	675	1030	3480	2236	160	4000	4472	100
9	270	270	195	895	4570	4670	3500	4019	5251	675	1030	3480	2236	160	4000	4472	100
10	270	270	195	895	4670	4770	3500	4259	5371	675	1030	3480	2236	160	4000	4472	100
11	270	270	195	895	4670	4770	3500	4328	5482	675	1030	3480	1986	160	3500	3972	100
12	270	270	195	895	4676	4776	3500	4744	5546	675	1030	3480	2236	160	4000	4472	100
13	270	270	195	895	4770	4870	3500	4845	5602	675	1030	3480	2236	160	4000	4472	100
14	270	270	195	895	4776	4876	3500	5150	5765	675	1030	3480	1986	160	3500	3972	100
15	270	270	195	895	4870	4970	3500	5339	5808	675	1030	3480	1986	160	3500	3972	100
16	270	270	195	895	4872	4972	3500	5510	5878	795	1150	3480	1986	160	3500	3972	100
17	270	270	195	895	4870	4970	3500	5995	5985	795	1150	3480	1986	160	3500	3972	100
18	270	270	195	895	4876	4976	3500	6657	6192	795	1150	3480	1986	160	3500	3972	100
19	270	270	195	895	4970	5070	3500	6570	6182	795	1150	3480	1986	160	3500	3972	100
20	270	270	195	895	4972	5072	3500	6950	6304	795	1150	3480	1986	160	3500	3972	100
21	270	270	195	895	4976	5076	3500	7542	6426	795	1150	3480	1986	160	3500	3972	100
22	270	270	195	895	4972	5072	3500	8092	6591	795	1150	3355	1986	160	3500	3972	100
23	270	270	195	895	4976	5076	3500	8828	6808	795	1150	3355	1986	160	3500	3972	100
24	270	270	195	895	5072	5172	3500	8817	6815	795	1150	3355	1986	160	3500	3972	100
25	280	280	195	895	5076	5176	3500	9705	7069	795	1150	3355	2019	200	3500	4037	100
26	280	280	195	895	5076	5176	3500	9976	7153	795	1150	3355	2019	200	3500	4037	100
27	280	280	195	895	5085	5185	3500	11398	7502	795	1150	3360	2269	200	4000	4537	100
28	280	280	195	895	5085	5185	3500	11707	7593	795	1150	3360	2269	200	4000	4537	100
29	280	280	195	895	5235	5335	3500	12475	7816	795	1150	3360	2269	200	4000	4537	100
30	280	280	195	895	5240	5340	3500	13576	8127	795	1150	3360	2269	200	4000	4537	100

1) Minimum dimension, includes 100 mm clearance

2) Minimum dimension, includes 500 mm clearance

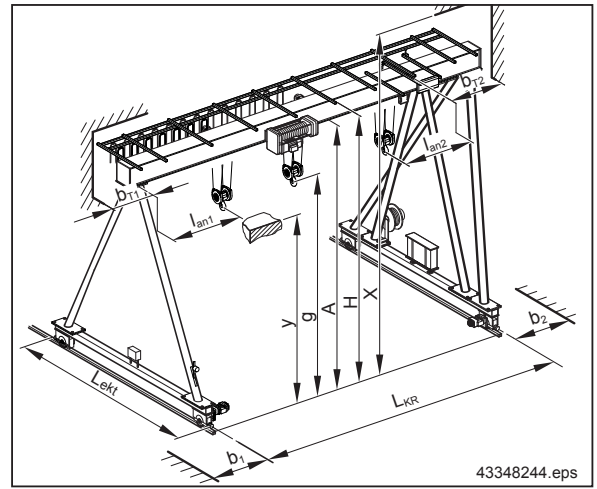
All dimensions in mm (L_{KR} in m).

Weights **max. R** and **G_e** are in kg.

All structural dimensions, approach dimensions and information on the crane runway dimensions are based on the standard design presented in this catalogue. Any deviations must be checked.

EVPE load capacity 8,0 t

Overall height: A6 m
 Trolley: DFW-P ___ / ___
 Travelling hoist: 1x EKDR 10 - 8,0 4/1 - 10,0 Z - 12,5



Hook path: 10 m; hoist speed: 5/0,8 m/min;
 0,5 - 9 m/min or 0,5 - 12,5 m/min infinitely variable;
 cross-travel speed up to 30 m/min infinitely variable

Crane										Travelling hoist			Travel unit				
L _{KR}	b ₁ 1)	b ₂ 1)	b _{T1} 1)	b _{T2} 1)	H	X 1)	y 2)	GG	R _{max}	l _{an1}	l _{an2}	g	l _{an3} /l _{an4}	d	ekt	L _{ekt}	DPZ
4	270	270	195	895	6470	6570	5500	3668	4759	675	1030	5480	2708,5	125	5000	5417	100
5	270	270	195	895	6470	6570	5500	3845	5192	675	1030	5480	2736	160	5000	5472	100
6	270	270	195	895	6470	6570	5500	4036	5314	675	1030	5480	2986	160	5500	5972	100
7	270	270	195	895	6470	6570	5500	4221	5296	675	1030	5480	2986	160	5500	5972	100
8	270	270	195	895	6570	6670	5500	4369	5469	675	1030	5480	2736	160	5000	5472	100
9	270	270	195	895	6570	6670	5500	4505	5570	675	1030	5480	2736	160	5000	5472	100
10	270	270	195	895	6670	6770	5500	4745	5635	675	1030	5480	2736	160	5000	5472	100
11	270	270	195	895	6670	6770	5500	4890	5717	675	1030	5480	2736	160	5000	5472	100
12	270	270	195	895	6676	6776	5500	5230	5851	675	1030	5480	2736	160	5000	5472	100
13	270	270	195	895	6770	6870	5500	5331	5908	675	1030	5480	2736	160	5000	5472	100
14	270	270	195	895	6776	6876	5500	5642	6012	675	1030	5480	2486	160	4500	4972	100
15	270	270	195	895	6870	6970	5500	5901	6023	675	1030	5480	2736	160	5000	5472	100
16	270	270	195	895	6872	6972	5500	6072	6092	795	1150	5480	2736	160	5000	5472	100
17	270	270	195	895	6870	6970	5500	6487	6282	795	1150	5480	2486	160	4500	4972	100
18	270	270	195	895	6876	6976	5500	7149	6491	795	1150	5480	2486	160	4500	4972	100
19	270	270	195	895	6970	7070	5500	7132	6446	795	1150	5480	2736	160	5000	5472	100
20	270	270	195	895	6972	7072	5500	7442	6526	795	1150	5480	2486	160	4500	4972	100
21	270	270	195	895	6976	7076	5500	8034	6707	795	1150	5480	2486	160	4500	4972	100
22	270	270	195	895	6972	7072	5500	8584	6872	795	1150	5355	2486	160	4500	4972	100
23	280	280	195	895	6976	7076	5500	9432	7120	795	1150	5355	2518,5	200	4500	5037	100
24	280	280	195	965	7072	7172	5500	9822	7267	795	1150	5355	2518,5	200	4500	5037	100
25	280	280	195	895	7076	7176	5500	10209	7358	795	1150	5355	2518,5	200	4500	5037	100
26	280	280	195	895	7076	7176	5500	10480	7441	795	1150	5355	2518,5	200	4500	5037	100
27	280	280	195	895	7085	7185	5500	11818	7830	795	1150	5360	2518,5	200	4500	5037	100
28	280	280	195	895	7085	7185	5500	12427	8110	795	1150	5360	2288,5	200	4000	4577	120
29	280	280	195	895	7235	7335	5500	13195	8340	795	1150	5360	2288,5	200	4000	4577	120
30	280	280	195	895	7240	7340	5500	14218	8750	795	1150	5360	2288,5	200	4000	4577	120

© Demag Cranes & Components GmbH

1) Minimum dimension, includes 100 mm clearance
 2) Minimum dimension, includes 500 mm clearance

All dimensions in mm (L_{KR} in m).

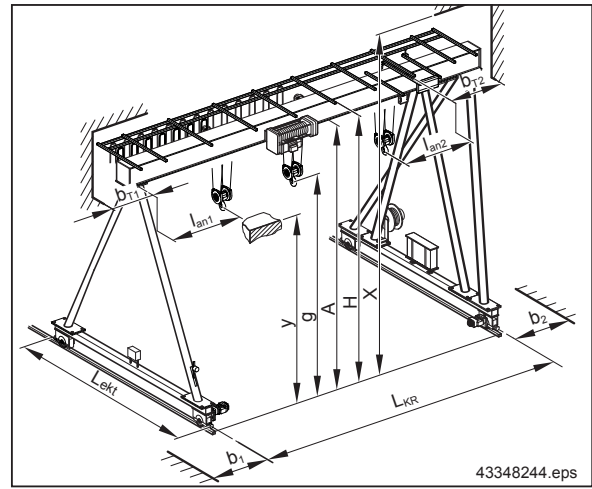
Weights **max. R** and **G_e** are in kg.

All structural dimensions, approach dimensions and information on the crane runway dimensions are based on the standard design presented in this catalogue. Any deviations must be checked.

20373744.indd0808112

EVPE load capacity 8,0 t

Overall height: A8 m
 Trolley: DFW-P ___ / ___
 Travelling hoist: 1x EKDR 10 - 8,0 4/1 - 10,0 Z - 12,5



Hook path: 10 m; hoist speed: 5/0,8 m/min;
 0,5 - 9 m/min or 0,5 - 12,5 m/min infinitely variable;
 cross-travel speed up to 30 m/min infinitely variable

Crane										Travelling hoist			Travel unit				
L _{KR}	b ₁ 1)	b ₂ 1)	b _{T1} 1)	b _{T2} 1)	H	X 1)	y 2)	GG	R _{max}	l _{an1}	l _{an2}	g	l _{an3} /l _{an4}	d	ekt	L _{ekt}	DPZ
4	270	270	195	895	8470	8570	7500	4190	5033	675	1030	7480	2986	160	5500	5972	100
5	270	270	195	895	8470	8570	7500	4913	5379	675	1030	7480	3236	160	6000	6472	100
6	270	270	195	895	8470	8570	7500	5036	5563	675	1030	7480	3236	160	6000	6472	100
7	270	270	195	895	8470	8570	7500	5161	5707	675	1030	7480	3236	160	6000	6472	100
8	270	270	195	895	8570	8670	7500	5303	5882	675	1030	7480	2986	160	5500	5972	100
9	270	270	195	895	8570	8670	7500	5439	5984	675	1030	7480	2986	160	5500	5972	100
10	270	270	195	895	8670	8770	7500	5679	6028	675	1030	7480	2986	160	5500	5972	100
11	270	270	195	895	8670	8770	7500	5900	6085	675	1030	7480	3236	160	6000	6472	100
12	270	270	195	895	8676	8776	7500	6164	6245	675	1030	7480	2986	160	5500	5972	100
13	270	270	195	895	8770	8870	7500	6265	6302	675	1030	7480	2986	160	5500	5972	100
14	270	270	195	895	8776	8876	7500	6646	6438	675	1030	7480	2986	160	5500	5972	100
15	270	270	195	895	8870	8970	7500	6835	6480	675	1030	7480	2986	160	5500	5972	100
16	270	270	195	895	8872	8972	7500	7082	6521	795	1150	7480	3236	160	6000	6472	100
17	270	270	195	895	8870	8970	7500	7491	6622	795	1150	7480	2986	160	5500	5972	100
18	270	270	195	895	8876	8976	7500	8153	6830	795	1150	7480	3006	160	5500	6012	120
19	270	270	195	895	8970	9070	7500	8066	6819	795	1150	7480	3006	160	5500	6012	120
20	270	270	195	895	8972	9072	7500	8446	6941	795	1150	7480	3006	160	5500	6012	120
21	280	280	195	895	8976	9076	7500	9166	7154	795	1150	7480	3039	200	5500	6077	120
22	280	280	195	895	8972	9072	7500	9632	7357	795	1150	7355	2789	200	5000	5577	120
23	280	280	195	895	8976	9076	7500	10290	7636	795	1150	7355	2539	200	4500	5077	120
24	280	280	195	895	9072	9172	7500	10279	7642	795	1150	7355	2539	200	4500	5077	120
25	280	280	195	965	9076	9176	7500	11086	7892	795	1150	7355	2539	200	4500	5077	120
26	280	280	195	965	9076	9176	7500	11356	7977	795	1150	7355	2539	200	4500	5077	120
27	280	280	195	1035	9085	9185	7500	12647	8478	795	1150	7360	2289	200	4000	4577	120
28	280	280	195	965	9085	9185	7500	12934	8564	795	1150	7360	2289	200	4000	4577	120
29	280	280	195	1035	9235	9335	7500	13726	8814	795	1150	7360	2289	200	4000	4577	120
30	280	280	195	1035	9240	9340	7500	14830	9150	795	1150	7360	2289	200	4000	4577	120

1) Minimum dimension, includes 100 mm clearance

2) Minimum dimension, includes 500 mm clearance

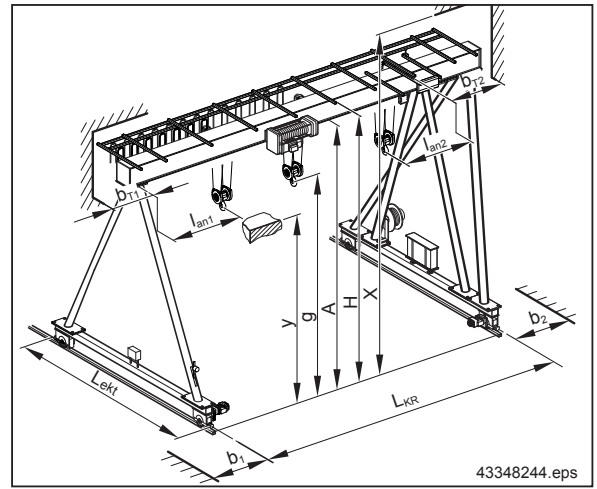
All dimensions in mm (L_{KR} in m).

Weights max. R and G_e are in kg.

All structural dimensions, approach dimensions and information on the crane runway dimensions are based on the standard design presented in this catalogue. Any deviations must be checked.

EVPE load capacity 8,0 t

Overall height: **A10 m**
 Trolley: **DFW-P ___ / ___**
 Travelling hoist: **1x EKDR 10 - 8,0 4/1 - 10,0 Z - 12,5**



Hook path: 10 m; hoist speed: 5/0,8 m/min;
 0,5 - 9 m/min or 0,5 - 12,5 m/min infinitely variable;
 cross-travel speed up to 30 m/min infinitely variable

Crane										Travelling hoist			Travel unit				
L _{KR}	b ₁ 1)	b ₂ 1)	b _{T1} 1)	b _{T2} 1)	H	X 1)	y 2)	GG	R _{max}	lan1	lan2	g	lan3 / lan4	d	ekt	L _{ekt}	DPZ
4	270	270	195	895	10470	10570	9500	5444	5502	675	1030	9480	3236	160	6000	6472	100
5	270	270	195	895	10470	10570	9500	5569	5674	675	1030	9480	3236	160	6000	6472	100
6	270	270	195	895	10470	10570	9500	5692	5858	675	1030	9480	3236	160	6000	6472	100
7	270	270	195	895	10470	10570	9500	5817	6002	675	1030	9480	3236	160	6000	6472	100
8	270	270	195	895	10570	10670	9500	6125	6122	675	1030	9480	3486	160	6500	6972	100
9	280	280	195	895	10570	10670	9500	6395	6256	675	1030	9480	3519	200	6500	7037	100
10	280	280	195	965	10670	10770	9500	6551	6410	675	1030	9480	3269	200	6000	6537	100
11	280	280	195	965	10670	10770	9500	6696	6492	675	1030	9480	3269	200	6000	6537	100
12	280	280	195	965	10676	10776	9500	7131	6601	675	1030	9480	3519	200	6500	7037	100
13	280	280	195	1035	10770	10870	9500	7242	6572	675	1030	9480	3519	200	6500	7037	100
14	280	280	195	1035	10776	10876	9500	7625	6708	675	1030	9480	3519	200	6500	7037	100
15	280	280	195	1035	10870	10970	9500	7720	6772	675	1030	9480	3269	200	6000	6537	100
16	280	280	195	1035	10872	10972	9500	7892	6842	795	1150	9480	3269	200	6000	6537	100
17	280	280	195	1105	10870	10970	9500	8486	6986	795	1150	9480	3519	200	6500	7037	100
18	280	280	195	1105	10876	10976	9500	9059	7222	795	1150	9480	3289	200	6000	6577	120
19	280	280	195	1105	10970	11070	9500	8968	7210	795	1150	9480	3289	200	6000	6577	120
20	280	280	195	1175	10972	11072	9500	9365	7342	795	1150	9480	3289	200	6000	6577	120
21	280	280	195	1175	10976	11076	9500	9962	7529	795	1150	9480	3289	200	6000	6577	120
22	280	280	195	1175	10972	11072	9500	10425	7741	795	1150	9355	3039	200	5500	6077	120
23	280	280	195	1175	10976	11076	9500	11168	7970	795	1150	9355	3039	200	5500	6077	120
24	280	280	195	1175	11072	11172	9500	11154	7974	795	1150	9355	3039	200	5500	6077	120
25	280	280	195	1175	11076	11176	9500	11854	8276	795	1150	9355	2789	200	5000	5577	120
26	280	280	195	1175	11076	11176	9500	12124	8363	795	1150	9355	2789	200	5000	5577	120
27	280	280	195	1245	11085	11185	9500	13495	8788	795	1150	9360	2789	200	5000	5577	120
28	280	280	195	1245	11085	11185	9500	13804	8883	795	1150	9360	2789	200	5000	5577	120
29	280	280	195	1315	11235	11335	9500	14599	9136	795	1150	9360	2789	200	5000	5577	120
30	280	280	195	1385	11240	11340	9500	15735	9487	795	1150	9360	2789	200	5000	5577	120

© Demag Cranes & Components GmbH

1) Minimum dimension, includes 100 mm clearance

2) Minimum dimension, includes 500 mm clearance

All dimensions in mm (L_{kr} in m).

Weights **max. R** and **G_e** are in kg.

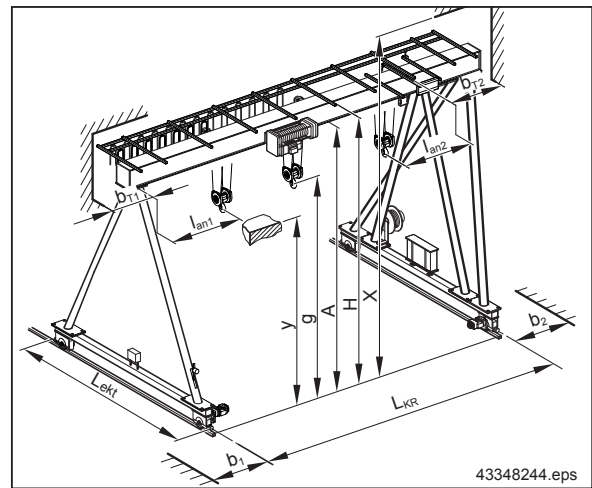
All structural dimensions, approach dimensions and information on the crane runway dimensions are based on the standard design presented in this catalogue. Any deviations must be checked.

20373744.indd0808112

EVPE load capacity 10,0 t

Overall height: A4 m
 Trolley: DFW-P ___ / ___
 Travelling hoist: 1x EKDR 10 - 10,0 4/1 - 10,0 Z - 12,5

Hook path: 10 m; hoist speed: 5/0,8 m/min;
 0,5 - 9 m/min or 0,5 - 12,5 m/min infinitely variable;
 cross-travel speed up to 30 m/min infinitely variable



Crane										Travelling hoist			Travel unit				
L _{KR}	b ₁ 1)	b ₂ 1)	b _{T1} 1)	b _{T2} 1)	H	X 1)	y 2)	GG	R _{max}	l _{an1}	l _{an2}	g	l _{an3} /l _{an4}	d	ekt	L _{ekt}	DPZ
4	270	270	195	895	4470	4570	3500	3292	5343	675	1030	3470	2236	160	4000	4472	100
5	270	270	195	895	4470	4570	3500	3417	5658	675	1030	3470	2236	160	4000	4472	100
6	270	270	195	895	4570	4670	3500	3614	5903	675	1030	3470	2236	160	4000	4472	100
7	270	270	195	895	4570	4670	3500	3749	6029	675	1030	3470	2236	160	4000	4472	100
8	270	270	195	895	4670	4770	3500	3969	6195	675	1030	3470	2236	160	4000	4472	100
9	270	270	195	895	4672	4772	3500	4168	6286	675	1030	3470	2236	160	4000	4472	100
10	270	270	195	895	4770	4870	3500	4376	6409	675	1030	3470	2236	160	4000	4472	100
11	270	270	195	895	4777	4877	3500	4739	6568	675	1030	3485	2236	160	4000	4472	100
12	280	280	195	895	4777	4877	3500	5019	6639	675	1030	3485	2269	200	4000	4537	100
13	280	280	195	895	4777	4877	3500	5194	6723	675	1030	3485	2269	200	4000	4537	100
14	280	280	195	895	4877	4977	3500	5525	6918	675	1030	3485	2019	200	3500	4037	100
15	280	280	195	895	4877	4977	3500	5799	6862	675	1030	3485	2269	200	4000	4537	100
16	280	280	195	895	4881	4981	3500	6172	6995	795	1150	3485	2269	200	4000	4537	100
17	280	280	195	895	4881	4981	3500	6776	7255	795	1150	3485	2019	200	3500	4037	100
18	280	280	195	895	4977	5077	3500	6880	7306	795	1150	3485	2019	200	3500	4037	100
19	280	280	195	895	4981	5081	3500	7428	7419	795	1150	3485	2019	200	3500	4037	100
20	280	280	195	895	4977	5077	3500	8485	7738	795	1150	3360	2019	200	3500	4037	100
21	280	280	195	895	4981	5081	3500	8686	7896	795	1150	3360	1789	200	3000	3577	120
22	280	280	195	895	4981	5081	3500	8963	7904	795	1150	3360	1789	200	3000	3577	120
23	280	280	195	895	5077	5177	3500	9085	7875	795	1150	3360	2039	200	3500	4077	120
24	280	280	195	895	5081	5181	3500	9868	8106	795	1150	3360	2039	200	3500	4077	120
25	280	280	195	895	5085	5185	3500	10695	8350	795	1150	3360	2039	200	3500	4077	120
26	280	280	195	895	5085	5185	3500	11087	8405	795	1150	3360	2289	200	4000	4577	120
27	280	280	195	965	5235	5335	3500	11847	8633	795	1150	3360	2289	200	4000	4577	120
28	280	280	195	965	5235	5335	3500	12171	8731	795	1150	3360	2289	200	4000	4577	120
29	280	280	195	1035	5235	5335	3500	12520	8840	795	1150	3360	2289	200	4000	4577	120
30	280	280	195	1105	5240	5340	3500	13648	9168	795	1150	3360	2289	200	4000	4577	120

1) Minimum dimension, includes 100 mm clearance
 2) Minimum dimension, includes 500 mm clearance

All dimensions in mm (L_{KR} in m).

Weights **max. R** and **G_e** are in kg.

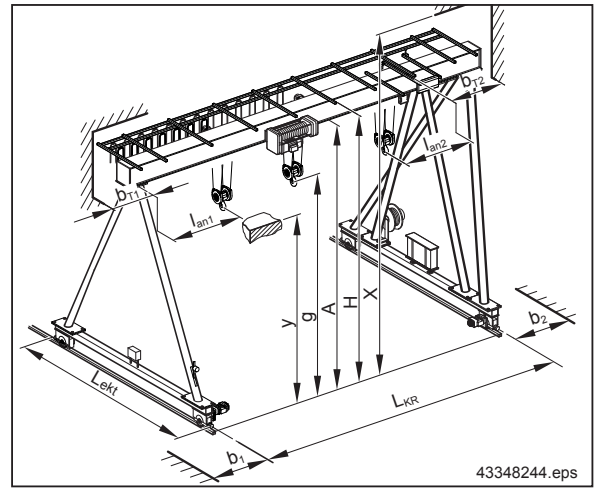
All structural dimensions, approach dimensions and information on the crane runway dimensions are based on the standard design presented in this catalogue. Any deviations must be checked.

EVPE load capacity 10,0 t

Overall height: **A6 m**

Trolley: **DFW-P ___ / ___**

Travelling hoist: **1x EKDR 10 - 10,0 4/1 - 10,0 Z - 12,5**



Hook path: 10 m; hoist speed: 5/0,8 m/min;
0,5 - 9 m/min or 0,5 - 12,5 m/min infinitely variable;
cross-travel speed up to 30 m/min infinitely variable

Crane										Travelling hoist			Travel unit				
L _{KR}	b ₁ 1)	b ₂ 1)	b _{T1} 1)	b _{T2} 1)	H	X 1)	y 2)	GG	R _{max}	l _{an1}	l _{an2}	g	l _{an3} /l _{an4}	d	ekt	L _{ekt}	DPZ
4	270	270	195	895	6470	6570	5500	3778	5699	675	1030	5470	2736	160	5000	5472	100
5	270	270	195	895	6470	6570	5500	3903	6013	675	1030	5470	2736	160	5000	5472	100
6	270	270	195	895	6570	6670	5500	4100	6260	675	1030	5470	2736	160	5000	5472	100
7	270	270	195	895	6570	6670	5500	4235	6363	675	1030	5470	2736	160	5000	5472	100
8	270	270	195	895	6670	6770	5500	4455	6530	675	1030	5470	2736	160	5000	5472	100
9	270	270	195	895	6672	6772	5500	4654	6666	675	1030	5470	2736	160	5000	5472	100
10	270	270	195	895	6770	6870	5500	4862	6721	675	1030	5470	2736	160	5000	5472	100
11	270	270	195	895	6777	6877	5500	5225	6880	675	1030	5485	2736	160	5000	5472	100
12	280	280	195	895	6777	6877	5500	5439	7052	675	1030	5485	2519	200	4500	5037	100
13	280	280	195	895	6777	6877	5500	5614	7139	675	1030	5485	2519	200	4500	5037	100
14	280	280	195	895	6877	6977	5500	6029	7213	675	1030	5485	2519	200	4500	5037	100
15	280	280	195	895	6877	6977	5500	6219	7251	675	1030	5485	2519	200	4500	5037	100
16	280	280	195	895	6881	6981	5500	6592	7387	795	1150	5485	2519	200	4500	5037	100
17	280	280	195	895	6881	6981	5500	7280	7525	795	1150	5485	2519	200	4500	5037	100
18	280	280	195	895	6977	7077	5500	7384	7575	795	1150	5485	2519	200	4500	5037	100
19	280	280	195	895	6981	7081	5500	7932	7753	795	1150	5485	2519	200	4500	5037	100
20	280	280	195	895	6977	7077	5500	8989	7979	795	1150	5360	2519	200	4500	5037	100
21	280	280	195	895	6981	7081	5500	9190	8125	795	1150	5360	2289	200	4000	4577	120
22	280	280	195	895	6981	7081	5500	9845	8349	795	1150	5360	2289	200	4000	4577	120
23	280	280	195	895	7077	7177	5500	9889	8374	795	1150	5360	2289	200	4000	4577	120
24	280	280	195	895	7081	7181	5500	10672	8610	795	1150	5360	2289	200	4000	4577	120
25	280	280	195	895	7085	7185	5500	11499	8859	795	1150	5360	2289	200	4000	4577	120
26	280	280	195	895	7085	7185	5500	11807	8956	795	1150	5360	2289	200	4000	4577	120
27	280	280	195	965	7235	7335	5500	12489	9282	795	1150	5360	2039	200	3500	4077	120
28	280	280	195	965	7235	7335	5500	12813	9384	795	1150	5360	2039	200	3500	4077	120
29	280	280	195	1035	7235	7335	5500	13240	9404	795	1150	5360	2289	200	4000	4577	120
30	280	280	195	1105	7240	7340	5500	14368	9744	795	1150	5360	2289	200	4000	4577	120

© Demag Cranes & Components GmbH

1) Minimum dimension, includes 100 mm clearance

2) Minimum dimension, includes 500 mm clearance

All dimensions in mm (L_{Kr} in m).

Weights **max. R** and **G_e** are in kg.

All structural dimensions, approach dimensions and information on the crane runway dimensions are based on the standard design presented in this catalogue. Any deviations must be checked.

20373744.indd0808112

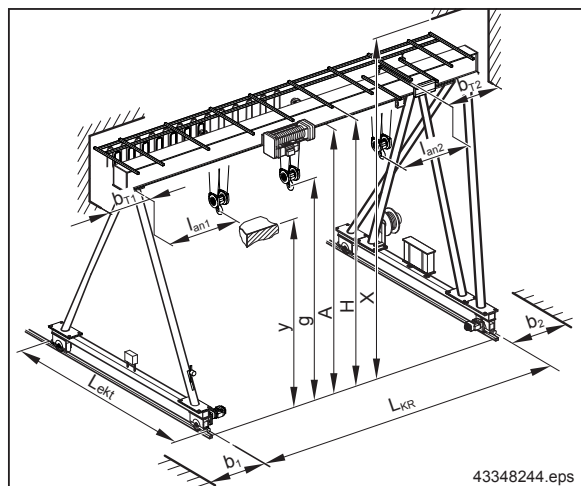
EVPE load capacity 10,0 t

Overall height: A8 m

Trolley: DFW-P ___ / ___

Travelling hoist: 1x EKDR 10 - 10,0 4/1 - 10,0 Z - 12,5

Hook path: 10 m; hoist speed: 5/0,8 m/min;
0,5 - 9 m/min or 0,5 - 12,5 m/min infinitely variable;
cross-travel speed up to 30 m/min infinitely variable



Crane										Travelling hoist			Travel unit				
L _{KR}	b ₁ 1)	b ₂ 1)	b _{T1} 1)	b _{T2} 1)	H	X 1)	y 2)	GG	R _{max}	l _{an1}	l _{an2}	g	l _{an3} /l _{an4}	d	ekt	L _{ekt}	DPZ
4	270	270	195	895	8470	8570	7500	4642	6247	675	1030	7470	2736	160	5000	5472	100
5	270	270	195	895	8470	8570	7500	4767	6563	675	1030	7470	2736	160	5000	5472	100
6	280	280	195	895	8570	8670	7500	5162	6682	675	1030	7470	3019	200	5500	6037	100
7	280	280	195	895	8570	8670	7500	5297	6853	675	1030	7470	3019	200	5500	6037	100
8	280	280	195	895	8670	8770	7500	5517	7019	675	1030	7470	3019	200	5500	6037	100
9	280	280	195	895	8672	8772	7500	5716	7063	675	1030	7470	3019	200	5500	6037	100
10	280	280	195	895	8770	8870	7500	5924	7186	675	1030	7470	3019	200	5500	6037	100
11	280	280	195	895	8777	8877	7500	6287	7347	675	1030	7485	3019	200	5500	6037	100
12	280	280	195	895	8777	8877	7500	6459	7438	675	1030	7485	3019	200	5500	6037	100
13	280	280	195	895	8777	8877	7500	6634	7524	675	1030	7485	3019	200	5500	6037	100
14	280	280	195	895	8877	8977	7500	7127	7544	675	1030	7485	3269	200	6000	6537	100
15	280	280	195	895	8877	8977	7500	7239	7618	675	1030	7485	3019	200	5500	6037	100
16	280	280	195	895	8881	8981	7500	7612	7754	795	1150	7485	3019	200	5500	6037	100
17	280	280	195	895	8881	8981	7500	8216	8029	795	1150	7485	2769	200	5000	5537	100
18	280	280	195	895	8977	9077	7500	8320	8079	795	1150	7485	2769	200	5000	5537	100
19	280	280	195	895	8981	9081	7500	8868	8260	795	1150	7485	2789	200	5000	5577	120
20	280	280	195	895	8977	9077	7500	9925	8463	795	1150	7360	2789	200	5000	5577	120
21	280	280	195	895	8981	9081	7500	10204	8558	795	1150	7360	2789	200	5000	5577	120
22	280	280	195	895	8981	9081	7500	10481	8650	795	1150	7360	2789	200	5000	5577	120
23	280	280	195	895	9077	9177	7500	10525	8674	795	1150	7360	2789	200	5000	5577	120
24	280	280	195	895	9081	9181	7500	11230	8981	795	1150	7360	2539	200	4500	5077	120
25	280	280	195	895	9085	9185	7500	12057	9233	795	1150	7360	2539	200	4500	5077	120
26	280	280	195	895	9085	9185	7500	12365	9332	795	1150	7360	2539	200	4500	5077	120
27	280	280	195	895	9235	9335	7500	13031	9662	795	1150	7360	2289	200	4000	4577	120
28	280	280	195	895	9235	9335	7500	13355	9765	795	1150	7360	2289	200	4000	4577	120
29	280	280	195	895	9235	9335	7500	13753	9763	795	1150	7360	2539	200	4500	5077	120
30	305	305	195	895	9240	9340	7500	15302	10204	795	1150	7360	2561	250	4500	5122	120

1) Minimum dimension, includes 100 mm clearance

2) Minimum dimension, includes 500 mm clearance

All dimensions in mm (L_{KR} in m).

Weights max. R and G_e are in kg.

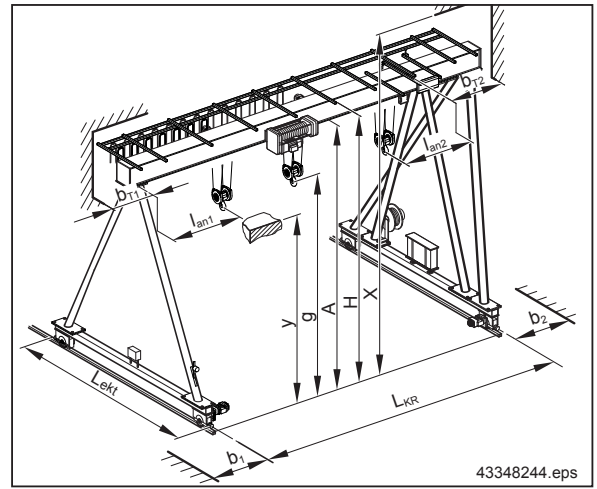
All structural dimensions, approach dimensions and information on the crane runway dimensions are based on the standard design presented in this catalogue. Any deviations must be checked.

EVPE load capacity 10,0 t

Overall height: **A10 m**

Trolley: **DFW-P ___ / ___**

Travelling hoist: **1x EKDR 10 - 10,0 4/1 - 10,0 Z - 12,5**



Hook path: 10 m; hoist speed: 5/0,8 m/min;
0,5 - 9 m/min or 0,5 - 12,5 m/min infinitely variable;
cross-travel speed up to 30 m/min infinitely variable

Crane										Travelling hoist			Travel unit				
L _{KR}	b ₁ 1)	b ₂ 1)	b _{T1} 1)	b _{T2} 1)	H	X 1)	y 2)	GG	R _{max}	lan1	lan2	g	lan3 / lan4	d	ekt	L _{ekt}	DPZ
4	270	270	235	935	10470	10570	9500	6032	6595	675	1030	9470	3236	160	6000	6472	100
5	270	270	235	935	10470	10570	9500	6157	6909	675	1030	9470	3236	160	6000	6472	100
6	280	280	235	935	10570	10670	9500	6604	7216	675	1030	9470	3269	200	6000	6537	100
7	280	280	235	935	10570	10670	9500	6739	7386	675	1030	9470	3269	200	6000	6537	100
8	280	280	235	935	10670	10770	9500	6959	7440	675	1030	9470	3269	200	6000	6537	100
9	280	280	235	935	10672	10772	9500	7258	7541	675	1030	9470	3519	200	6500	7037	100
10	280	280	235	935	10770	10870	9500	7466	7664	675	1030	9470	3519	200	6500	7037	100
11	280	280	235	935	10777	10877	9500	7729	7859	675	1030	9485	3269	200	6000	6537	100
12	280	280	235	935	10777	10877	9500	7901	7951	675	1030	9485	3269	200	6000	6537	100
13	280	280	235	935	10777	10877	9500	8076	8036	675	1030	9485	3269	200	6000	6537	100
14	280	280	235	935	10877	10977	9500	8591	8152	675	1030	9485	3519	200	6500	7037	100
15	280	280	235	935	10877	10977	9500	8781	8190	675	1030	9485	3519	200	6500	7037	100
16	280	280	235	935	10881	10981	9500	9054	8241	795	1150	9485	3269	200	6000	6537	100
17	280	280	235	935	10881	10981	9500	9646	8508	795	1150	9485	3039	200	5500	6077	120
18	280	280	235	935	10977	11077	9500	9750	8558	795	1150	9485	3039	200	5500	6077	120
19	280	280	235	935	10981	11081	9500	10298	8738	795	1150	9485	3039	200	5500	6077	120
20	280	280	235	1005	10977	11077	9500	11374	9077	795	1150	9360	3039	200	5500	6077	120
21	280	280	235	1005	10981	11081	9500	11559	9240	795	1150	9360	2789	200	5000	5577	120
22	280	280	235	1005	10981	11081	9500	11836	9335	795	1150	9360	2789	200	5000	5577	120
23	280	280	235	1075	11077	11177	9500	11898	9369	795	1150	9360	2789	200	5000	5577	120
24	280	280	235	1075	11081	11181	9500	12684	9614	795	1150	9360	2789	200	5000	5577	120
25	280	280	235	1075	11085	11185	9500	13513	9872	795	1150	9360	2789	200	5000	5577	120
26	280	280	235	1075	11085	11185	9500	13822	9972	795	1150	9360	2789	200	5000	5577	120
27	305	305	235	1075	11235	11335	9500	15062	10327	795	1150	9360	2811	250	5000	5622	120
28	305	305	235	1075	11235	11335	9500	15386	10429	795	1150	9360	2811	250	5000	5622	120
29	305	305	235	1075	11235	11335	9500	15712	10533	795	1150	9360	2811	250	5000	5622	120
30	305	305	235	1145	11240	11340	9500	16840	10883	795	1150	9360	2811	250	5000	5622	120

© Demag Cranes & Components GmbH

1) Minimum dimension, includes 100 mm clearance

2) Minimum dimension, includes 500 mm clearance

All dimensions in mm (L_{kr} in m).

Weights **max. R** and **G_e** are in kg.

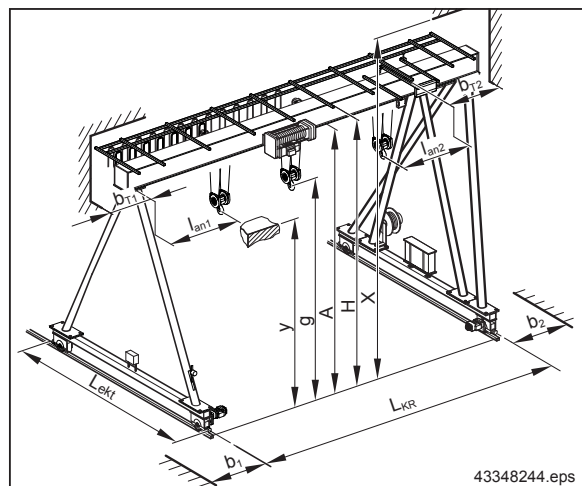
All structural dimensions, approach dimensions and information on the crane runway dimensions are based on the standard design presented in this catalogue. Any deviations must be checked.

20373744.indd0808112

EVPE load capacity 12,5 t

Overall height: A4 m
 Trolley: DFW-P ___ / ___
 Travelling hoist: 1x EKDR 10 - 12,5 4/1 - 10,0 Z - 9

Hook path: 10 m; hoist speed: 4/0,7 m/min;
 0,2 - 4,5 m/min or 0,5 - 9 m/min infinitely variable;
 cross-travel speed up to 30 m/min infinitely variable



43348244.eps

Crane										Travelling hoist			Travel unit				
L _{KR}	b ₁ 1)	b ₂ 1)	b _{T1} 1)	b _{T2} 1)	H	X 1)	y 2)	GG	R _{max}	l _{an1}	l _{an2}	g	l _{an3} /l _{an4}	d	ekt	L _{ekt}	DPZ
4	280	280	195	895	4568	4668	3500	3677	6646	675	1030	3480	2019	200	3500	4037	100
5	280	280	195	895	4577	4677	3500	3957	7079	675	1030	3485	2019	200	3500	4037	100
6	280	280	195	895	4577	4677	3500	4126	7297	675	1030	3485	2019	200	3500	4037	100
7	280	280	195	895	4577	4677	3500	4297	7510	675	1030	3485	2019	200	3500	4037	100
8	280	280	195	895	4577	4677	3500	4466	7683	675	1030	3485	2019	200	3500	4037	100
9	280	280	195	895	4677	4777	3500	4855	7747	675	1030	3485	2269	200	4000	4537	100
10	280	280	195	895	4677	4777	3500	4947	7938	675	1030	3485	2019	200	3500	4037	100
11	280	280	195	895	4777	4877	3500	5298	8043	675	1030	3485	2019	200	3500	4037	100
12	280	280	195	895	4777	4877	3500	5495	8153	675	1030	3485	2019	200	3500	4037	100
13	280	280	195	895	4877	4977	3500	5980	8275	675	1030	3485	2019	200	3500	4037	100
14	280	280	195	895	4877	4977	3500	6197	8376	675	1030	3485	2019	200	3500	4037	100
15	280	280	195	895	4977	5077	3500	6624	8483	675	1030	3485	2019	200	3500	4037	100
16	280	280	195	895	4977	5077	3500	6854	8581	795	1150	3485	2019	200	3500	4037	100
17	280	280	195	895	4981	5081	3500	7372	8611	795	1150	3485	2269	200	4000	4537	100
18	280	280	195	895	4981	5081	3500	8127	8852	795	1150	3485	2289	200	4000	4577	120
19	280	280	195	895	4985	5085	3500	8724	8976	795	1150	3485	2289	200	4000	4577	120
20	280	280	195	895	5077	5177	3500	9154	9291	795	1150	3360	1789	200	3000	3577	120
21	280	280	195	895	5077	5177	3500	9631	9271	795	1150	3360	2289	200	4000	4577	120
22	305	305	195	895	5081	5181	3500	10728	9661	795	1150	3360	2061	250	3500	4122	120
23	305	305	195	965	5227	5327	3500	11158	9642	795	1150	3360	2311	250	4000	4622	120
24	305	305	195	965	5227	5327	3500	11480	9745	795	1150	3360	2311	250	4000	4622	120

1) Minimum dimension, includes 100 mm clearance

2) Minimum dimension, includes 500 mm clearance

All dimensions in mm (L_{KR} in m).

Weights **max. R** and **G_e** are in kg.

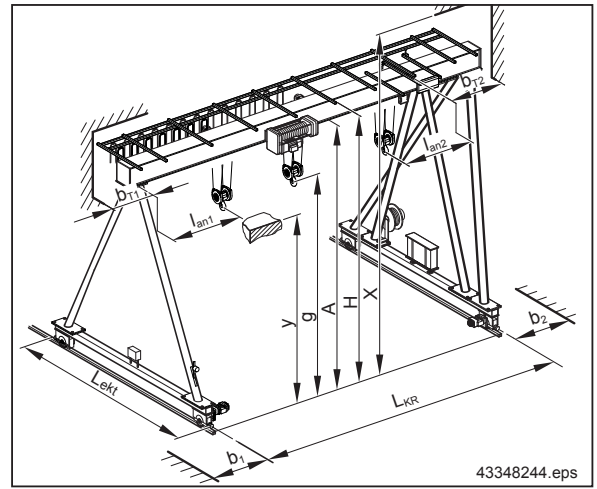
All structural dimensions, approach dimensions and information on the crane runway dimensions are based on the standard design presented in this catalogue. Any deviations must be checked.

EVPE load capacity 12,5 t

Overall height: A6 m

Trolley: DFW-P ___ / ___

Travelling hoist: 1x EKDR 10 - 12,5 4/1 - 10,0 Z - 9



Hook path: 10 m; hoist speed: 4/0,7 m/min;
0,2 - 4,5 m/min or 0,5 - 9 m/min infinitely variable;
cross-travel speed up to 30 m/min infinitely variable

Crane										Travelling hoist			Travel unit				
L _{KR}	b ₁ 1)	b ₂ 1)	b _{T1} 1)	b _{T2} 1)	H	X 1)	y 2)	GG	R _{max}	I _{an1}	I _{an2}	g	I _{an3} /I _{an4}	d	ekt	L _{ekt}	DPZ
4	280	280	195	895	6568	6668	5500	4313	7139	675	1030	5480	2519	200	4500	5037	100
5	280	280	195	895	6577	6677	5500	4593	7485	675	1030	5485	2519	200	4500	5037	100
6	280	280	195	895	6577	6677	5500	4762	7762	675	1030	5485	2519	200	4500	5037	100
7	280	280	195	895	6577	6677	5500	5017	7899	675	1030	5485	2769	200	5000	5537	100
8	280	280	195	895	6577	6677	5500	5186	7989	675	1030	5485	2769	200	5000	5537	100
9	280	280	195	895	6677	6777	5500	5401	8244	675	1030	5485	2519	200	4500	5037	100
10	280	280	195	895	6677	6777	5500	5583	8374	675	1030	5485	2519	200	4500	5037	100
11	280	280	195	895	6777	6877	5500	5934	8543	675	1030	5485	2519	200	4500	5037	100
12	280	280	195	895	6777	6877	5500	6131	8558	675	1030	5485	2519	200	4500	5037	100
13	280	280	195	895	6877	6977	5500	6616	8748	675	1030	5485	2519	200	4500	5037	100
14	280	280	195	895	6877	6977	5500	6749	8940	675	1030	5485	2269	200	4000	4537	100
15	280	280	195	895	6977	7077	5500	7260	8856	675	1030	5485	2519	200	4500	5037	100
16	280	280	195	895	6977	7077	5500	7490	8954	795	1150	5485	2519	200	4500	5037	100
17	280	280	195	895	6981	7081	5500	7834	9190	795	1150	5485	2269	200	4000	4537	100
18	280	280	195	895	6981	7081	5500	8589	9442	795	1150	5485	2289	200	4000	4577	120
19	280	280	195	895	6985	7085	5500	9186	9518	795	1150	5485	2289	200	4000	4577	120
20	280	280	195	895	7077	7177	5500	9790	9717	795	1150	5360	2289	200	4000	4577	120
21	280	280	195	895	7077	7177	5500	10093	9824	795	1150	5360	2289	200	4000	4577	120
22	305	305	195	895	7081	7181	5500	11290	10036	795	1150	5360	2311	250	4000	4622	120
23	305	305	195	965	7227	7327	5500	11614	10147	795	1150	5360	2311	250	4000	4622	120
24	305	305	195	965	7227	7327	5500	11936	10253	795	1150	5360	2311	250	4000	4622	120

1) Minimum dimension, includes 100 mm clearance
2) Minimum dimension, includes 500 mm clearance

All dimensions in mm (L_{KR} in m).

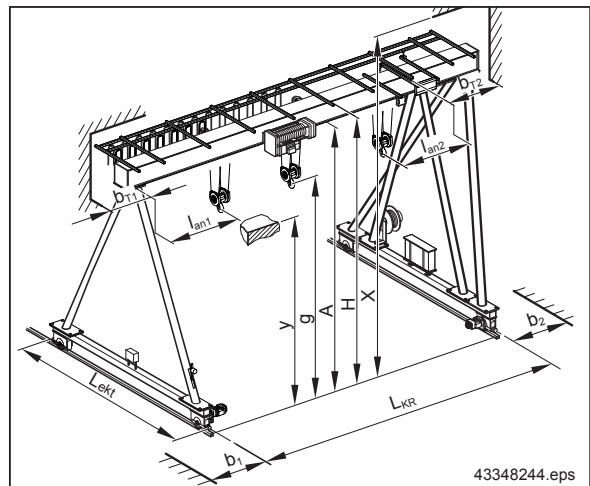
Weights **max. R** and **G_e** are in kg.

All structural dimensions, approach dimensions and information on the crane runway dimensions are based on the standard design presented in this catalogue. Any deviations must be checked.

EVPE load capacity 12,5 t

Overall height: A8 m
 Trolley: DFW-P ___ / ___
 Travelling hoist: 1x EKDR 10 - 12,5 4/1 - 10,0 Z - 9

Hook path: 10 m; hoist speed: 4/0,7 m/min;
 0,2 - 4,5 m/min or 0,5 - 9 m/min infinitely variable;
 cross-travel speed up to 30 m/min infinitely variable



Crane										Travelling hoist			Travel unit				
L _{KR}	b ₁ 1)	b ₂ 1)	b _{T1} 1)	b _{T2} 1)	H	X 1)	y 2)	GG	R _{max}	l _{an1}	l _{an2}	g	l _{an3} /l _{an4}	d	ekt	L _{ekt}	DPZ
4	280	280	195	895	8568	8668	7500	4949	7465	675	1030	7480	3018,5	200	5500	6037	100
5	280	280	195	895	8577	8677	7500	5229	7789	675	1030	7485	3019	200	5500	6037	100
6	280	280	195	895	8577	8677	7500	5398	8066	675	1030	7485	3019	200	5500	6037	100
7	280	280	195	895	8577	8677	7500	5569	8279	675	1030	7485	3019	200	5500	6037	100
8	280	280	195	895	8577	8677	7500	5738	8452	675	1030	7485	3019	200	5500	6037	100
9	280	280	195	895	8677	8777	7500	6037	8529	675	1030	7485	3019	200	5500	6037	100
10	280	280	195	895	8677	8777	7500	6219	8658	675	1030	7485	3019	200	5500	6037	100
11	280	280	195	895	8777	8877	7500	6570	8827	675	1030	7485	3019	200	5500	6037	100
12	280	280	195	895	8777	8877	7500	6683	9019	675	1030	7485	2769	200	5000	5537	100
13	280	280	195	895	8877	8977	7500	7252	9009	675	1030	7485	3019	200	5500	6037	100
14	280	280	195	895	8877	8977	7500	7469	9111	675	1030	7485	3019	200	5500	6037	100
15	280	280	195	895	8977	9077	7500	7896	9217	675	1030	7485	3019	200	5500	6037	100
16	280	280	195	895	8977	9077	7500	8126	9316	795	1150	7485	3039	200	5500	6077	120
17	280	280	195	895	8981	9081	7500	8554	9472	795	1150	7485	3039	200	5500	6077	120
18	280	280	195	895	8981	9081	7500	9225	9660	795	1150	7485	2789	200	5000	5577	120
19	280	280	195	895	8985	9085	7500	9822	9858	795	1150	7485	2789	200	5000	5577	120
20	305	305	235	1005	9077	9177	7500	11337	10411	795	1150	7360	2311	250	4000	4622	120
21	305	305	235	1005	9077	9177	7500	11640	10520	795	1150	7360	2311	250	4000	4622	120
22	305	305	235	1005	9081	9181	7500	12417	10766	795	1150	7360	2311	250	4000	4622	120
23	305	305	235	1075	9227	9327	7500	12763	10892	795	1150	7360	2311	250	4000	4622	120
24	305	305	235	1075	9227	9327	7500	13085	11002	795	1150	7360	2311	250	4000	4622	120

1) Minimum dimension, includes 100 mm clearance
 2) Minimum dimension, includes 500 mm clearance

All dimensions in mm (L_{KR} in m).

Weights **max. R** and **G_e** are in kg.

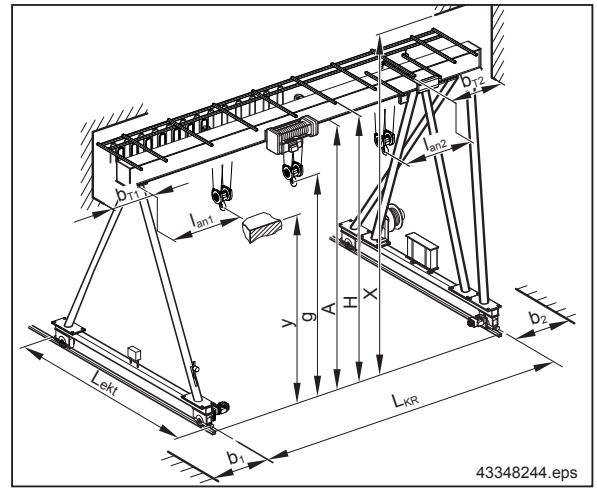
All structural dimensions, approach dimensions and information on the crane runway dimensions are based on the standard design presented in this catalogue. Any deviations must be checked.

EVPE load capacity 12,5 t

Overall height: **A10 m**

Trolley: **DFW-P ___ / ___**

Travelling hoist: **1x EKDR 10 - 12,5 4/1 - 10,0 Z - 9**



Hook path: 10 m; hoist speed: 4/0,7 m/min;
0,2 - 4,5 m/min or 0,5 - 9 m/min infinitely variable;
cross-travel speed up to 30 m/min infinitely variable

Crane										Travelling hoist			Travel unit				
L _{KR}	b ₁ 1)	b ₂ 1)	b _{T1} 1)	b _{T2} 1)	H	X 1)	y 2)	GG	R _{max}	l _{an1}	l _{an2}	g	l _{an3} /l _{an4}	d	ekt	L _{ekt}	DPZ
4	280	280	235	935	10568	10668	9500	6391	7931	675	1030	9480	3269	200	6000	6537	100
5	280	280	235	935	10577	10677	9500	6575	8446	675	1030	9485	3019	200	5500	6037	100
6	280	280	235	935	10577	10677	9500	6744	8724	675	1030	9485	3019	200	5500	6037	100
7	280	280	235	1005	10577	10677	9500	6926	8945	675	1030	9485	3019	200	5500	6037	100
8	280	280	235	1005	10577	10677	9500	7191	8896	675	1030	9485	3269	200	6000	6537	100
9	280	280	235	1005	10677	10777	9500	7491	9082	675	1030	9485	3269	200	6000	6537	100
10	280	280	235	1005	10677	10777	9500	7673	9213	675	1030	9485	3269	200	6000	6537	100
11	280	280	235	1005	10777	10877	9500	8026	9382	675	1030	9485	3269	200	6000	6537	100
12	280	280	235	1075	10777	10877	9500	8140	9578	675	1030	9485	3019	200	5500	6037	100
13	280	280	235	1075	10877	10977	9500	8723	9547	675	1030	9485	3289	200	6000	6577	120
14	280	280	235	1075	10877	10977	9500	8941	9649	675	1030	9485	3269	200	6000	6537	100
15	280	280	235	1075	10977	11077	9500	9369	9756	675	1030	9485	3269	200	6000	6537	100
16	280	280	235	1075	10977	11077	9500	9504	9925	795	1150	9485	3039	200	5500	6077	120
17	305	305	235	1075	10981	11081	9500	10339	10298	795	1150	9485	2811	250	5000	5622	120
18	305	305	235	1075	10981	11081	9500	11098	10556	795	1150	9485	2811	250	5000	5622	120
19	305	305	235	1075	10985	11085	9500	11697	10567	795	1150	9485	2811	250	5000	5622	120
20	305	305	235	1075	11077	11177	9500	12303	10768	795	1150	9360	2811	250	5000	5622	120
21	305	305	235	1145	11077	11177	9500	12627	10888	795	1150	9360	2811	250	5000	5622	120
22	305	305	235	1145	11081	11181	9500	13407	11137	795	1150	9360	2811	250	5000	5622	120
23	305	305	235	1145	11227	11327	9500	13731	11248	795	1150	9360	2811	250	5000	5622	120
24	305	305	235	1145	11227	11327	9500	14053	11358	795	1150	9360	2811	250	5000	5622	120

1) Minimum dimension, includes 100 mm clearance
2) Minimum dimension, includes 500 mm clearance

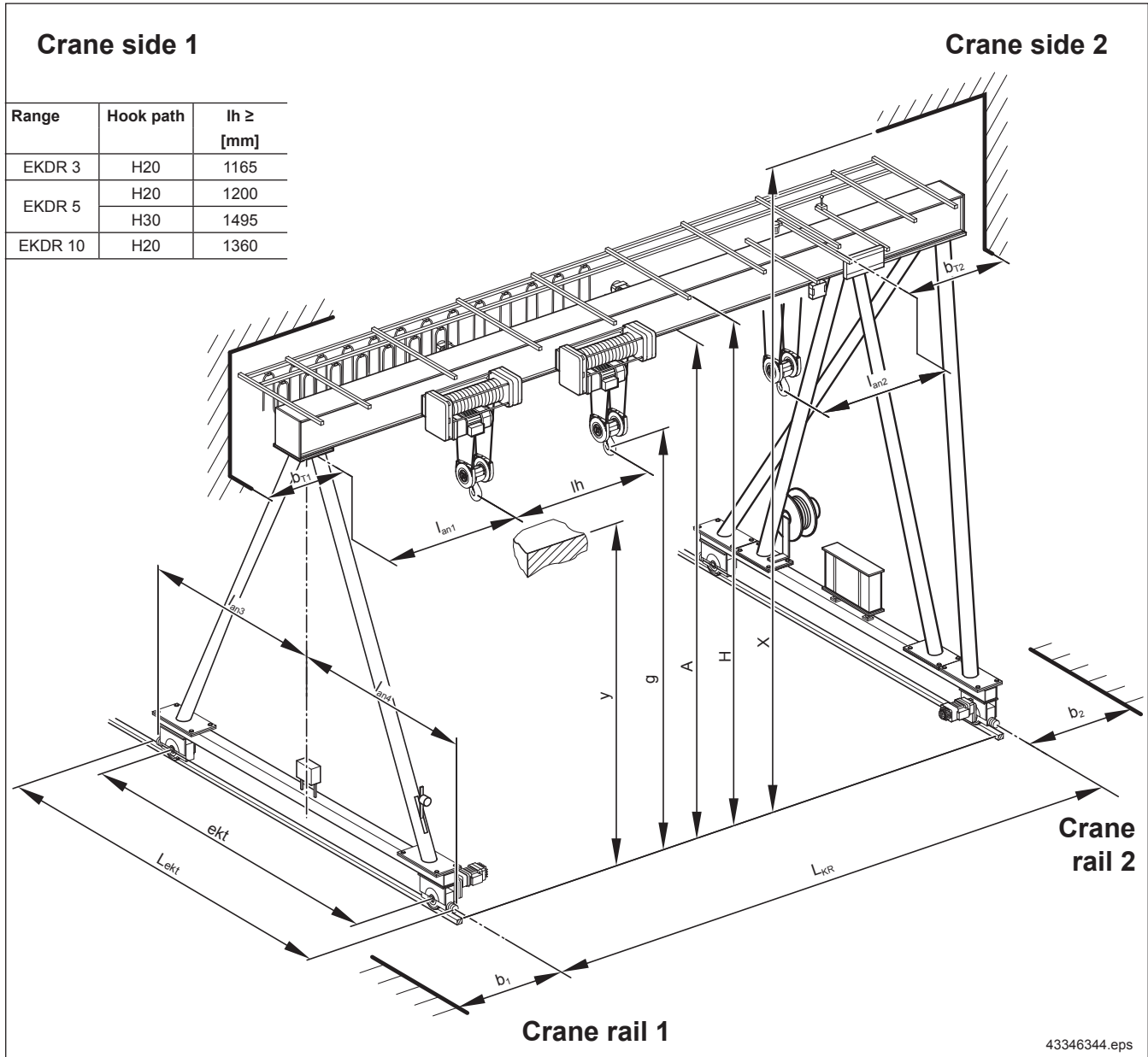
All dimensions in mm (L_{KR} in m).

Weights **max. R** and **G_e** are in kg.

All structural dimensions, approach dimensions and information on the crane runway dimensions are based on the standard design presented in this catalogue. Any deviations must be checked.

Demag standard single-girder full portal crane

Type: EVPE
 Trolley: DFW-P-Z_ /
 Travelling hoist: 2 x EKDR



43346344.eps

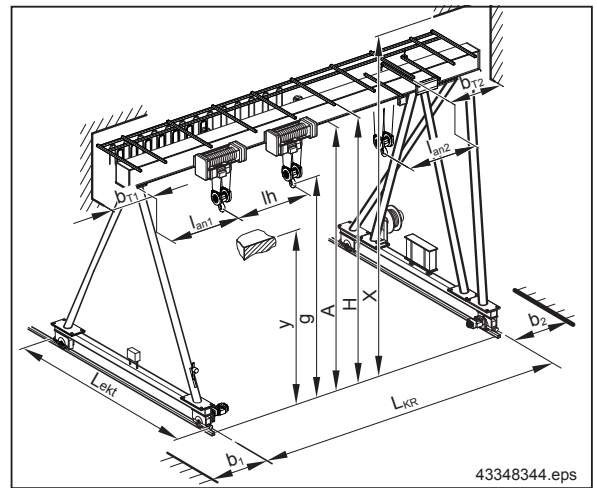
- L_{KR} span crane
- ekt Wheel base travel unit
- L_{ekt} end carriage length over buffer
- l_{an3} Approach dimensions crane front side
- l_{an4} Approach dimensions crane back side
- b_{T1} Clearance centre of pendulum leg Crane side 1
- b_{T2} Clearance centre of pier leg Crane side 2
- b_1 Clearance centre of pendulum leg Crane side 1
- b_2 Clearance centre of pier leg Crane side 2
- y Obstacle edge, max. height
- g remaining hook path
- A Portal crane height, lower edge of girder
- H Total height up to upper edge Rail mounting C
- X Total height with clearance
- l_{an1} Approach dimension load hooks up to centre of pendulum leg crane side 1
- l_{an2} Approach dimension load hooks up to centre of vertical pier leg crane side 2
- lh min. distance of load hook

© Demag Cranes & Components GmbH

20373744.indd/0808112

EVPE load capacity 2x 1,6 t

Overall height: A4 m
 Trolley: DFW-P ___ / ___
 Travelling hoist: 2x EKDR 3 - 1,6 2/1 - 20,0 Z - 25



Hook path: 20 m; hoist speed: 12/2 m/min; 18/3 m/min;
 or 1 - 25 m/min infinitely variable;
 cross-travel speed up to 30 m/min infinitely variable

Crane										Travelling hoist			Travel unit				
L _{KR}	b ₁ 1)	b ₂ 1)	b _{T1} 1)	b _{T2} 1)	H	X 1)	y 2)	GG	R _{max}	l _{an1}	l _{an2}	g	l _{an3} /l _{an4}	d	ekt	L _{ekt}	DPZ
4	270	270	140	490	4460	4560	3500	2667	1974	565	980	3482	2209	125	4000	4417	100
5	270	270	140	490	4460	4560	3500	2767	2149	565	980	3482	2209	125	4000	4417	100
6	270	270	140	490	4460	4560	3500	2866	2258	565	980	3482	2209	125	4000	4417	100
7	270	270	140	490	4460	4560	3500	2963	2355	565	980	3482	2209	125	4000	4417	100
8	270	270	140	490	4462	4562	3500	3063	2434	565	980	3482	2209	125	4000	4417	100
9	270	270	140	490	4464	4564	3500	3253	2529	565	980	3486	2209	125	4000	4417	100
10	270	270	140	490	4466	4566	3500	3419	2608	565	980	3486	2209	125	4000	4417	100
11	270	270	140	490	4564	4664	3500	3596	2685	565	980	3486	2209	125	4000	4417	100
12	270	270	140	490	4564	4664	3500	3715	2739	565	980	3486	2209	125	4000	4417	100
13	270	270	140	490	4566	4666	3500	3894	2807	565	980	3486	2209	125	4000	4417	100
14	270	270	140	490	4664	4764	3500	4096	2879	565	980	3486	2209	125	4000	4417	100
15	270	270	140	540	4664	4764	3500	4232	2918	565	980	3486	2209	125	4000	4417	100
16	270	270	140	490	4666	4766	3500	4352	2963	685	1100	3486	2209	125	4000	4417	100
17	270	270	140	490	4764	4864	3500	4656	3058	685	1100	3486	2209	125	4000	4417	100
18	270	270	140	490	4764	4864	3500	4795	3107	685	1100	3486	2209	125	4000	4417	100
19	270	270	140	490	4766	4866	3500	4935	3155	685	1100	3486	2209	125	4000	4417	100
20	270	270	140	490	4764	4864	3500	5364	3282	685	1100	3486	2209	125	4000	4417	100
21	270	270	140	490	4766	4866	3500	5706	3383	685	1100	3486	2209	125	4000	4417	100
22	270	270	195	895	4764	4864	3500	6420	3604	685	1100	3416	2209	125	4000	4417	100
23	270	270	195	895	4766	4866	3500	7361	3873	685	1100	3416	2209	125	4000	4417	100
24	270	270	195	895	4768	4868	3500	7062	3796	685	1100	3416	2209	125	4000	4417	100
25	270	270	195	895	4864	4964	3500	8331	4155	685	1100	3416	2209	125	4000	4417	100
26	270	270	195	895	4868	4968	3500	8275	4143	685	1100	3416	2209	125	4000	4417	100
27	270	270	195	895	4868	4968	3500	9079	4372	685	1100	3416	2209	125	4000	4417	100
28	270	270	195	895	4966	5066	3500	8728	4278	685	1100	3416	2209	125	4000	4417	100
29	270	270	195	895	4972	5072	3500	10488	4772	685	1100	3416	2209	125	4000	4417	100
30	270	270	195	895	4980	5080	3500	11316	5002	685	1100	3420	2236	160	4000	4472	100

© Demag Cranes & Components GmbH

1) Minimum dimension, includes 100 mm clearance

2) Minimum dimension, includes 500 mm clearance

All dimensions in mm (L_{Kr} in m).

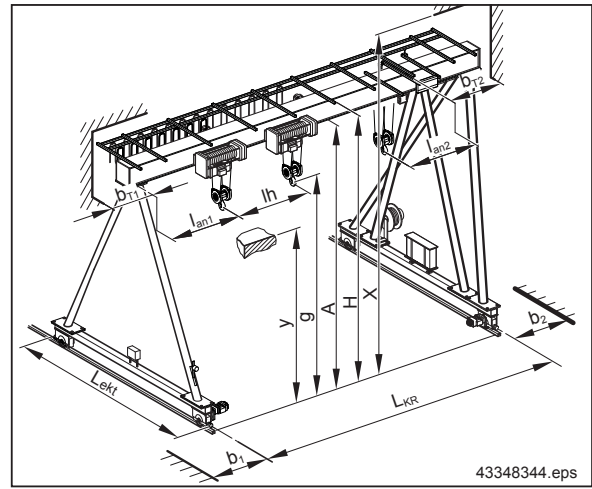
Weights **max. R** and **G_e** are in kg.

All structural dimensions, approach dimensions and information on the crane runway dimensions are based on the standard design presented in this catalogue. Any deviations must be checked.

20373744.indd0808112

EVPE load capacity 2x 1,6 t

Overall height: A6 m
 Trolley: DFW-P ___ / ___
 Travelling hoist: 2x EKDR 3 - 1,6 2/1 - 20,0 Z - 25



Hook path: 20 m; hoist speed: 12/2 m/min; 18/3 m/min;
 or 1 - 25 m/min infinitely variable;
 cross-travel speed up to 30 m/min infinitely variable

Crane										Travelling hoist			Travel unit				
L _{KR}	b ₁ 1)	b ₂ 1)	b _{T1} 1)	b _{T2} 1)	H	X 1)	y 2)	GG	R _{max}	l _{an1}	l _{an2}	g	l _{an3} /l _{an4}	d	ekt	L _{ekt}	DPZ
4	270	270	140	490	6460	6560	5500	3045	2123	565	980	5482	2709	125	5000	5417	100
5	270	270	140	490	6460	6560	5500	3145	2298	565	980	5482	2709	125	5000	5417	100
6	270	270	140	490	6460	6560	5500	3244	2424	565	980	5482	2709	125	5000	5417	100
7	270	270	140	490	6460	6560	5500	3341	2521	565	980	5482	2709	125	5000	5417	100
8	270	270	140	490	6462	6562	5500	3441	2600	565	980	5482	2709	125	5000	5417	100
9	270	270	140	490	6464	6564	5500	3631	2695	565	980	5486	2709	125	5000	5417	100
10	270	270	140	490	6466	6566	5500	3797	2774	565	980	5486	2709	125	5000	5417	100
11	270	270	140	490	6564	6664	5500	3974	2851	565	980	5486	2709	125	5000	5417	100
12	270	270	140	490	6564	6664	5500	4093	2906	565	980	5486	2709	125	5000	5417	100
13	270	270	140	490	6566	6666	5500	4272	2975	565	980	5486	2709	125	5000	5417	100
14	270	270	140	490	6664	6764	5500	4474	3048	565	980	5486	2709	125	5000	5417	100
15	270	270	140	540	6664	6764	5500	4610	3087	565	980	5486	2709	125	5000	5417	100
16	270	270	140	540	6666	6766	5500	4737	3135	685	1100	5486	2709	125	5000	5417	100
17	270	270	140	540	6764	6864	5500	5041	3232	685	1100	5486	2709	125	5000	5417	100
18	270	270	140	540	6764	6864	5500	5179	3281	685	1100	5486	2709	125	5000	5417	100
19	270	270	140	540	6766	6866	5500	5319	3330	685	1100	5486	2709	125	5000	5417	100
20	270	270	140	590	6764	6864	5500	5757	3462	685	1100	5486	2709	125	5000	5417	100
21	270	270	140	590	6766	6866	5500	5911	3513	685	1100	5486	2709	125	5000	5417	100
22	270	270	195	895	6764	6864	5500	6567	3715	685	1100	5416	2709	125	5000	5417	100
23	270	270	195	895	6766	6866	5500	6977	3836	685	1100	5416	2709	125	5000	5417	100
24	270	270	195	895	6768	6868	5500	7434	3970	685	1100	5416	2709	125	5000	5417	100
25	270	270	195	895	6864	6964	5500	7629	4030	685	1100	5416	2709	125	5000	5417	100
26	270	270	195	895	6868	6968	5500	8383	4245	685	1100	5416	2709	125	5000	5417	100
27	270	270	195	895	6868	6968	5500	8928	4424	685	1100	5416	2709	125	5000	5417	100
28	270	270	195	895	6966	7066	5500	9145	4490	685	1100	5416	2709	125	5000	5417	100
29	270	270	195	895	6972	7072	5500	10275	4811	685	1100	5416	2709	125	5000	5417	100
30	270	270	195	895	6980	7080	5500	11714	5217	685	1100	5420	2736	160	5000	5472	100

1) Minimum dimension, includes 100 mm clearance
 2) Minimum dimension, includes 500 mm clearance

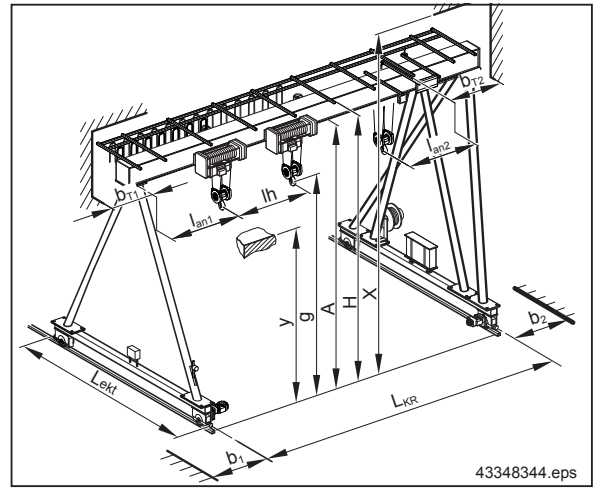
All dimensions in mm (L_{KR} in m).

Weights **max. R** and **G_e** are in kg.

All structural dimensions, approach dimensions and information on the crane runway dimensions are based on the standard design presented in this catalogue. Any deviations must be checked.

EVPE load capacity 2x 1,6 t

Overall height: A8 m
 Trolley: DFW-P ___ / ___
 Travelling hoist: 2x EKDR 3 - 1,6 2/1 - 20,0 Z - 25



Hook path: 20 m; hoist speed: 12/2 m/min; 18/3 m/min;
 or 1 - 25 m/min infinitely variable;
 cross-travel speed up to 30 m/min infinitely variable

Crane										Travelling hoist			Travel unit				
L _{KR}	b ₁ 1)	b ₂ 1)	b _{T1} 1)	b _{T2} 1)	H	X 1)	y 2)	GG	R _{max}	l _{an1}	l _{an2}	g	l _{an3} /l _{an4}	d	ekt	L _{ekt}	DPZ
4	270	270	195	895	8460	8560	7500	3813	2441	565	980	7482	2959	125	5500	5917	100
5	270	270	195	895	8460	8560	7500	3913	2616	565	980	7482	2959	125	5500	5917	100
6	270	270	195	895	8460	8560	7500	4086	2743	565	980	7482	3209	125	6000	6417	100
7	270	270	195	895	8460	8560	7500	4184	2840	565	980	7482	3209	125	6000	6417	100
8	270	270	195	895	8462	8562	7500	4283	2920	565	980	7482	3209	125	6000	6417	100
9	270	270	195	895	8464	8564	7500	4477	3017	565	980	7486	3209	125	6000	6417	100
10	270	270	195	895	8466	8566	7500	4645	3098	565	980	7486	3209	125	6000	6417	100
11	270	270	195	895	8564	8664	7500	4824	3175	565	980	7486	3209	125	6000	6417	100
12	270	270	195	895	8564	8664	7500	4943	3231	565	980	7486	3209	125	6000	6417	100
13	270	270	195	895	8566	8666	7500	5124	3300	565	980	7486	3209	125	6000	6417	100
14	270	270	195	895	8664	8764	7500	5327	3374	565	980	7486	3209	125	6000	6417	100
15	270	270	195	895	8664	8764	7500	5458	3411	565	980	7486	3209	125	6000	6417	100
16	270	270	195	895	8666	8766	7500	5584	3459	685	1100	7486	3209	125	6000	6417	100
17	270	270	195	895	8764	8864	7500	5891	3558	685	1100	7486	3209	125	6000	6417	100
18	270	270	195	895	8764	8864	7500	6030	3608	685	1100	7486	3209	125	6000	6417	100
19	270	270	195	895	8766	8866	7500	6170	3657	685	1100	7486	3209	125	6000	6417	100
20	270	270	195	895	8764	8864	7500	6604	3788	685	1100	7486	3209	125	6000	6417	100
21	270	270	195	895	8766	8866	7500	6758	3838	685	1100	7486	3209	125	6000	6417	100
22	270	270	195	895	8764	8864	7500	7383	4024	685	1100	7416	3209	125	6000	6417	100
23	270	270	195	895	8766	8866	7500	7793	4146	685	1100	7416	3209	125	6000	6417	100
24	270	270	195	895	8768	8868	7500	8250	4280	685	1100	7416	3209	125	6000	6417	100
25	270	270	195	895	8864	8964	7500	8445	4341	685	1100	7416	3209	125	6000	6417	100
26	270	270	195	895	8868	8968	7500	9199	4559	685	1100	7416	3209	125	6000	6417	100
27	270	270	195	965	8868	8968	7500	9429	4632	685	1100	7416	3209	125	6000	6417	100
28	270	270	195	965	8966	9066	7500	9646	4699	685	1100	7416	3209	125	6000	6417	100
29	270	270	195	1035	8972	9072	7500	10901	5059	685	1100	7416	3236	160	6000	6472	100
30	270	270	195	1175	8980	9080	7500	12274	5462	685	1100	7420	3256	160	6000	6512	120

© Demag Cranes & Components GmbH

1) Minimum dimension, includes 100 mm clearance

2) Minimum dimension, includes 500 mm clearance

All dimensions in mm (L_{kr} in m).

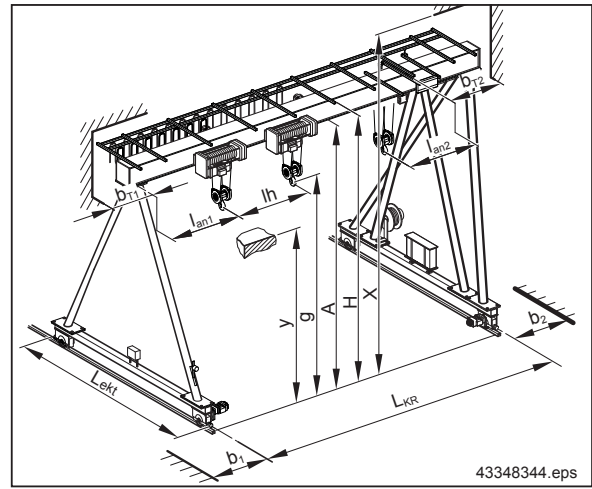
Weights **max. R** and **G_e** are in kg.

All structural dimensions, approach dimensions and information on the crane runway dimensions are based on the standard design presented in this catalogue. Any deviations must be checked.

20373744.indd0808112

EVPE load capacity 2x 1,6 t

Overall height: A10 m
 Trolley: DFW-P ___ / ___
 Travelling hoist: 2x EKDR 3 - 1,6 2/1 - 20,0 Z - 25



Hook path: 20 m; hoist speed: 12/2 m/min; 18/3 m/min;
 or 1 - 25 m/min infinitely variable;
 cross-travel speed up to 30 m/min infinitely variable

Crane										Travelling hoist			Travel unit				
L _{KR}	b ₁ 1)	b ₂ 1)	b _{T1} 1)	b _{T2} 1)	H	X 1)	y 2)	GG	R _{max}	l _{an1}	l _{an2}	g	l _{an3} /l _{an4}	d	ekt	L _{ekt}	DPZ
4	270	270	195	895	10460	10560	9500	5071	2898	565	980	9482	3209	125	6000	6417	100
5	270	270	195	895	10460	10560	9500	5171	3074	565	980	9482	3209	125	6000	6417	100
6	270	270	195	895	10460	10560	9500	5270	3200	565	980	9482	3209	125	6000	6417	100
7	270	270	195	895	10460	10560	9500	5368	3297	565	980	9482	3209	125	6000	6417	100
8	270	270	195	895	10462	10562	9500	5467	3378	565	980	9482	3209	125	6000	6417	100
9	270	270	195	895	10464	10564	9500	5661	3476	565	980	9486	3209	125	6000	6417	100
10	270	270	195	895	10466	10566	9500	5829	3558	565	980	9486	3209	125	6000	6417	100
11	270	270	195	895	10564	10664	9500	6094	3637	565	980	9486	3459	125	6500	6917	100
12	270	270	195	895	10564	10664	9500	6213	3693	565	980	9486	3459	125	6500	6917	100
13	270	270	195	895	10566	10666	9500	6394	3763	565	980	9486	3459	125	6500	6917	100
14	270	270	195	895	10664	10764	9500	6597	3838	565	980	9486	3459	125	6500	6917	100
15	270	270	195	895	10664	10764	9500	6728	3874	565	980	9486	3459	125	6500	6917	100
16	270	270	195	895	10666	10766	9500	6854	3923	685	1100	9486	3459	125	6500	6917	100
17	270	270	195	895	10764	10864	9500	7271	4051	685	1100	9486	3486	160	6500	6972	100
18	270	270	195	895	10764	10864	9500	7410	4100	685	1100	9486	3486	160	6500	6972	100
19	270	270	195	895	10766	10866	9500	7550	4151	685	1100	9486	3486	160	6500	6972	100
20	270	270	195	895	10764	10864	9500	7984	4283	685	1100	9486	3486	160	6500	6972	100
21	270	270	195	895	10766	10866	9500	8138	4334	685	1100	9486	3486	160	6500	6972	100
22	270	270	195	895	10764	10864	9500	8763	4522	685	1100	9416	3486	160	6500	6972	100
23	270	270	195	895	10766	10866	9500	9173	4645	685	1100	9416	3486	160	6500	6972	100
24	270	270	195	895	10768	10868	9500	9630	4783	685	1100	9416	3486	160	6500	6972	100
25	270	270	195	895	10864	10964	9500	9825	4844	685	1100	9416	3486	160	6500	6972	100
26	270	270	195	895	10868	10968	9500	10579	5064	685	1100	9416	3486	160	6500	6972	100
27	270	270	195	895	10868	10968	9500	10794	5130	685	1100	9416	3486	160	6500	6972	100
28	270	270	195	895	10966	11066	9500	11011	5197	685	1100	9416	3486	160	6500	6972	100
29	270	270	195	945	10972	11072	9500	12154	5532	685	1100	9416	3506	160	6500	7012	120
30	270	270	195	995	10980	11080	9500	13498	5926	685	1100	9420	3506	160	6500	7012	120

1) Minimum dimension, includes 100 mm clearance
 2) Minimum dimension, includes 500 mm clearance

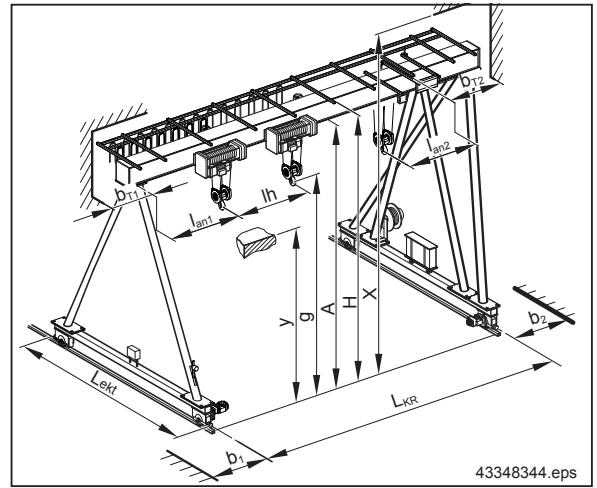
All dimensions in mm (L_{KR} in m).

Weights **max. R** and **G_e** are in kg.

All structural dimensions, approach dimensions and information on the crane runway dimensions are based on the standard design presented in this catalogue. Any deviations must be checked.

EVPE load capacity 2x 2,5 t

Overall height: A4 m
 Trolley: DFW-P ___ / ___
 Travelling hoist: 2x EKDR 3 - 2,5 4/1 - 10,0 Z - 12,5



Hook path: 10 m; hoist speed: 6/1 m/min; 9/1,5 m/min;
 or 0,5 - 12,5 m/min infinitely variable;
 cross-travel speed up to 30 m/min infinitely variable

Crane										Travelling hoist			Travel unit				
L _{KR}	b ₁ 1)	b ₂ 1)	b _{T1} 1)	b _{T2} 1)	H	X 1)	y 2)	GG	R _{max}	l _{an1}	l _{an2}	g	l _{an3} /l _{an4}	d	ekt	L _{ekt}	DPZ
4	270	270	140	490	4464	4564	3500	2756	2711	625	920	3626	2209	125	4000	4417	100
5	270	270	140	490	4464	4564	3500	2865	2929	625	920	3626	2209	125	4000	4417	100
6	270	270	140	490	4464	4564	3500	2973	3100	625	920	3626	2209	125	4000	4417	100
7	270	270	140	490	4464	4564	3500	3084	3232	625	920	3626	2209	125	4000	4417	100
8	270	270	140	490	4464	4564	3500	3189	3337	625	920	3626	2209	125	4000	4417	100
9	270	270	140	490	4564	4664	3500	3402	3457	625	920	3626	2209	125	4000	4417	100
10	270	270	140	490	4564	4664	3500	3520	3510	625	920	3626	2209	125	4000	4417	100
11	270	270	140	490	4664	4764	3500	3755	3615	625	920	3626	2209	125	4000	4417	100
12	270	270	140	490	4664	4764	3500	3881	3681	625	920	3626	2209	125	4000	4417	100
13	270	270	140	490	4666	4766	3500	4087	3767	625	920	3626	2209	125	4000	4417	100
14	270	270	140	490	4670	4770	3500	4221	3828	625	920	3630	2209	125	4000	4417	100
15	270	270	140	490	4676	4776	3500	4745	3939	625	920	3630	2209	125	4000	4417	100
16	270	270	140	490	4770	4870	3500	4830	3983	745	1040	3630	2209	125	4000	4417	100
17	270	270	140	490	4772	4872	3500	5065	4065	745	1040	3630	2209	125	4000	4417	100
18	270	270	140	490	4776	4876	3500	5424	4180	745	1040	3630	2209	125	4000	4417	100
19	270	270	140	490	4870	4970	3500	5617	4247	745	1040	3630	2209	125	4000	4417	100
20	270	270	140	490	4872	4972	3500	5900	4337	745	1040	3630	2209	125	4000	4417	100
21	270	270	140	490	4876	4976	3500	6291	4455	745	1040	3630	2209	125	4000	4417	100
22	270	270	140	490	4872	4972	3500	6723	4584	745	1040	3630	2209	125	4000	4417	100
23	270	270	140	490	4876	4976	3500	7404	4787	745	1040	3630	2209	125	4000	4417	100
24	270	270	195	895	4872	4972	3500	8349	5086	745	1040	3555	2236	160	4000	4472	100
25	270	270	195	895	4970	5070	3500	8907	5271	745	1040	3555	2236	160	4000	4472	100
26	270	270	195	895	4970	5070	3500	9843	5530	745	1040	3555	2236	160	4000	4472	100
27	270	270	195	895	4976	5076	3500	10124	5598	745	1040	3555	2236	160	4000	4472	100
28	270	270	195	895	5070	5170	3500	9950	5558	745	1040	3555	2236	160	4000	4472	100
29	270	270	195	895	5076	5176	3500	11124	5890	745	1040	3555	2236	160	4000	4472	100
30	270	270	195	895	5080	5180	3500	12049	6152	745	1040	3555	2236	160	4000	4472	100

© Demag Cranes & Components GmbH

1) Minimum dimension, includes 100 mm clearance

2) Minimum dimension, includes 500 mm clearance

All dimensions in mm (L_{kr} in m).

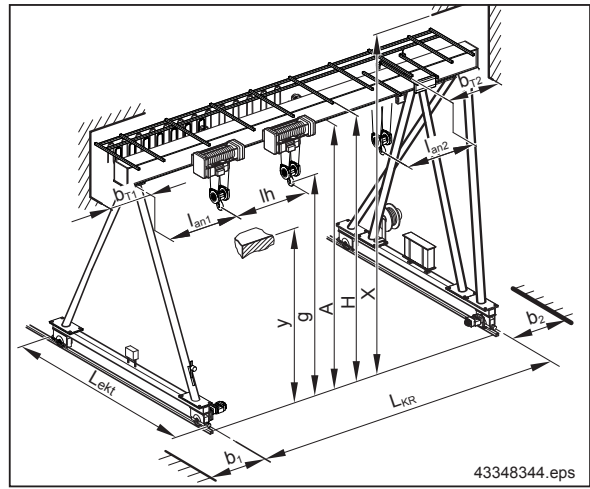
Weights **max. R** and **G_e** are in kg.

All structural dimensions, approach dimensions and information on the crane runway dimensions are based on the standard design presented in this catalogue. Any deviations must be checked.

20373744.indd0808112

EVPE load capacity 2x 2,5 t

Overall height: **A6 m**
 Trolley: **DFW-P ___ / ___**
 Travelling hoist: **2x EKDR 3 - 2,5 4/1 - 10,0 Z - 12,5**



Hook path: 10 m; hoist speed: 6/1 m/min; 9/1,5 m/min;
 or 0,5 - 12,5 m/min infinitely variable;
 cross-travel speed up to 30 m/min infinitely variable

Crane										Travelling hoist			Travel unit				
L _{KR}	b ₁ 1)	b ₂ 1)	b _{T1} 1)	b _{T2} 1)	H	X 1)	y 2)	GG	R _{max}	l _{an1}	l _{an2}	g	l _{an3} /l _{an4}	d	ekt	L _{ekt}	DPZ
4	270	270	140	490	6464	6564	5500	3134	2896	625	920	5626	2709	125	5000	5417	100
5	270	270	140	540	6464	6564	5500	3248	3142	625	920	5626	2709	125	5000	5417	100
6	270	270	140	540	6464	6564	5500	3356	3313	625	920	5626	2709	125	5000	5417	100
7	270	270	140	590	6464	6564	5500	3472	3448	625	920	5626	2709	125	5000	5417	100
8	270	270	140	590	6464	6564	5500	3578	3515	625	920	5626	2709	125	5000	5417	100
9	270	270	140	590	6564	6664	5500	3791	3635	625	920	5626	2709	125	5000	5417	100
10	270	270	140	640	6564	6664	5500	3915	3718	625	920	5626	2709	125	5000	5417	100
11	270	270	140	640	6664	6764	5500	4151	3825	625	920	5626	2709	125	5000	5417	100
12	270	270	140	690	6664	6764	5500	4284	3897	625	920	5626	2709	125	5000	5417	100
13	270	270	140	690	6666	6766	5500	4491	3983	625	920	5626	2709	125	5000	5417	100
14	270	270	140	690	6670	6770	5500	4625	4001	625	920	5630	2709	125	5000	5417	100
15	270	270	140	740	6676	6776	5500	5162	4152	625	920	5630	2709	125	5000	5417	100
16	270	270	140	740	6770	6870	5500	5246	4195	745	1040	5630	2709	125	5000	5417	100
17	270	270	140	740	6772	6872	5500	5482	4277	745	1040	5630	2709	125	5000	5417	100
18	270	270	140	790	6776	6876	5500	5852	4400	745	1040	5630	2709	125	5000	5417	100
19	270	270	140	790	6870	6970	5500	6045	4468	745	1040	5630	2709	125	5000	5417	100
20	270	270	140	790	6872	6972	5500	6330	4559	745	1040	5630	2709	125	5000	5417	100
21	270	270	140	840	6876	6976	5500	6732	4685	745	1040	5630	2709	125	5000	5417	100
22	270	270	140	890	6872	6972	5500	7178	4823	745	1040	5630	2709	125	5000	5417	100
23	270	270	140	940	6876	6976	5500	7890	5032	745	1040	5630	2736	160	5000	5472	100
24	270	270	195	895	6872	6972	5500	8763	5301	745	1040	5555	2736	160	5000	5472	100
25	270	270	195	895	6970	7070	5500	8991	5372	745	1040	5555	2736	160	5000	5472	100
26	270	270	195	895	6970	7070	5500	9219	5444	745	1040	5555	2736	160	5000	5472	100
27	270	270	195	895	6976	7076	5500	10336	5763	745	1040	5555	2736	160	5000	5472	100
28	270	270	195	895	7070	7170	5500	9994	5673	745	1040	5555	2736	160	5000	5472	100
29	270	270	195	895	7076	7176	5500	11152	6004	745	1040	5555	2736	160	5000	5472	100
30	270	270	195	895	7080	7180	5500	12062	6266	745	1040	5555	2736	160	5000	5472	100

1) Minimum dimension, includes 100 mm clearance

2) Minimum dimension, includes 500 mm clearance

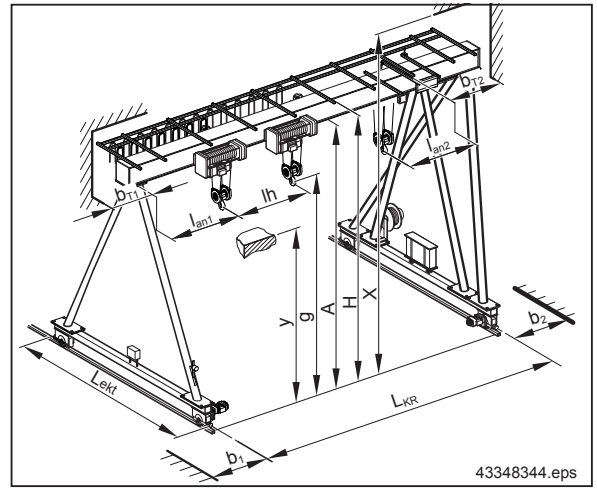
All dimensions in mm (L_{KR} in m).

Weights **max. R** and **G_e** are in kg.

All structural dimensions, approach dimensions and information on the crane runway dimensions are based on the standard design presented in this catalogue. Any deviations must be checked.

EVPE load capacity 2x 2,5 t

Overall height: A8 m
 Trolley: DFW-P ___ / ___
 Travelling hoist: 2x EKDR 3 - 2,5 4/1 - 10,0 Z - 12,5



Hook path: 10 m; hoist speed: 6/1 m/min; 9/1,5 m/min;
 or 0,5 - 12,5 m/min infinitely variable;
 cross-travel speed up to 30 m/min infinitely variable

Crane										Travelling hoist			Travel unit				
L _{KR}	b ₁ 1)	b ₂ 1)	b _{T1} 1)	b _{T2} 1)	H	X 1)	y 2)	GG	R _{max}	l _{an1}	l _{an2}	g	l _{an3} /l _{an4}	d	ekt	L _{ekt}	DPZ
4	270	270	195	895	8464	8564	7500	3906	3212	625	920	7626	2959	125	5500	5917	100
5	270	270	195	895	8464	8564	7500	4015	3454	625	920	7626	2959	125	5500	5917	100
6	270	270	195	895	8464	8564	7500	4123	3626	625	920	7626	2959	125	5500	5917	100
7	270	270	195	895	8464	8564	7500	4234	3758	625	920	7626	2959	125	5500	5917	100
8	270	270	195	895	8464	8564	7500	4340	3865	625	920	7626	2959	125	5500	5917	100
9	270	270	195	895	8564	8664	7500	4556	3934	625	920	7626	2959	125	5500	5917	100
10	270	270	195	895	8564	8664	7500	4674	4015	625	920	7626	2959	125	5500	5917	100
11	270	270	195	895	8664	8764	7500	4986	4115	625	920	7626	3209	125	6000	6417	100
12	270	270	195	895	8664	8764	7500	5113	4182	625	920	7626	3209	125	6000	6417	100
13	270	270	195	895	8666	8766	7500	5320	4269	625	920	7626	3209	125	6000	6417	100
14	270	270	195	895	8670	8770	7500	5454	4329	625	920	7630	3209	125	6000	6417	100
15	270	270	195	895	8676	8776	7500	5987	4479	625	920	7630	3209	125	6000	6417	100
16	270	270	195	895	8770	8870	7500	6071	4522	745	1040	7630	3209	125	6000	6417	100
17	270	270	195	895	8772	8872	7500	6307	4605	745	1040	7630	3209	125	6000	6417	100
18	270	270	195	895	8776	8876	7500	6670	4723	745	1040	7630	3209	125	6000	6417	100
19	270	270	195	965	8870	8970	7500	6876	4799	745	1040	7630	3209	125	6000	6417	100
20	270	270	195	965	8872	8972	7500	7161	4892	745	1040	7630	3209	125	6000	6417	100
21	270	270	195	965	8876	8976	7500	7661	5040	745	1040	7630	3236	160	6000	6472	100
22	270	270	195	1035	8872	8972	7500	8112	5181	745	1040	7630	3236	160	6000	6472	100
23	270	270	195	1105	8876	8976	7500	8719	5366	745	1040	7630	3236	160	6000	6472	100
24	270	270	195	1105	8872	8972	7500	9292	5537	745	1040	7555	3236	160	6000	6472	100
25	270	270	195	1175	8970	9070	7500	9536	5618	745	1040	7555	3236	160	6000	6472	100
26	270	270	195	1175	8970	9070	7500	9764	5690	745	1040	7555	3236	160	6000	6472	100
27	270	270	195	1315	8976	9076	7500	10925	6037	745	1040	7555	3236	160	6000	6472	100
28	270	270	195	1245	9070	9170	7500	10558	5932	745	1040	7555	3236	160	6000	6472	100
29	270	270	195	1245	9076	9176	7500	12255	6455	745	1040	7555	3256	160	6000	6512	120
30	270	270	195	1245	9080	9180	7500	13172	6722	745	1040	7555	3256	160	6000	6512	120

© Demag Cranes & Components GmbH

1) Minimum dimension, includes 100 mm clearance
 2) Minimum dimension, includes 500 mm clearance

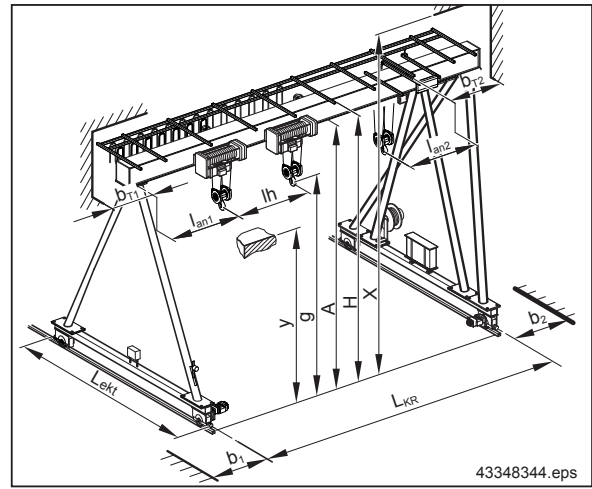
All dimensions in mm (L_{Kr} in m).
 Weights **max. R** and **G_e** are in kg.

All structural dimensions, approach dimensions and information on the crane runway dimensions are based on the standard design presented in this catalogue. Any deviations must be checked.

20373744.indd0808112

EVPE load capacity 2x 2,5 t

Overall height: A10 m
 Trolley: DFW-P ___ / ___
 Travelling hoist: 2x EKDR 3 - 2,5 4/1 - 10,0 Z - 12,5



Hook path: 10 m; hoist speed: 6/1 m/min; 9/1,5 m/min;
 or 0,5 - 12,5 m/min infinitely variable;
 cross-travel speed up to 30 m/min infinitely variable

Crane										Travelling hoist			Travel unit				
L _{KR}	b ₁ 1)	b ₂ 1)	b _{T1} 1)	b _{T2} 1)	H	X 1)	y 2)	GG	R _{max}	l _{an1}	l _{an2}	g	l _{an3} /l _{an4}	d	ekt	L _{ekt}	DPZ
4	270	270	195	895	10464	10564	9500	5164	3638	625	920	9626	3209	125	6000	6417	100
5	270	270	195	895	10464	10564	9500	5273	3880	625	920	9626	3209	125	6000	6417	100
6	270	270	195	895	10464	10564	9500	5381	4052	625	920	9626	3209	125	6000	6417	100
7	270	270	195	895	10464	10564	9500	5492	4184	625	920	9626	3209	125	6000	6417	100
8	270	270	195	895	10464	10564	9500	5598	4290	625	920	9626	3209	125	6000	6417	100
9	270	270	195	895	10564	10664	9500	5814	4413	625	920	9626	3209	125	6000	6417	100
10	270	270	195	895	10564	10664	9500	6038	4519	625	920	9626	3236	160	6000	6472	100
11	270	270	195	895	10664	10764	9500	6276	4628	625	920	9626	3236	160	6000	6472	100
12	270	270	195	895	10664	10764	9500	6403	4697	625	920	9626	3236	160	6000	6472	100
13	270	270	195	895	10666	10766	9500	6610	4784	625	920	9626	3236	160	6000	6472	100
14	270	270	195	895	10670	10770	9500	6744	4845	625	920	9630	3236	160	6000	6472	100
15	270	270	195	895	10676	10776	9500	7367	4988	625	920	9630	3486	160	6500	6972	100
16	270	270	195	895	10770	10870	9500	7361	5042	745	1040	9630	3236	160	6000	6472	100
17	270	270	195	895	10772	10872	9500	7597	5127	745	1040	9630	3236	160	6000	6472	100
18	270	270	195	895	10776	10876	9500	7960	5247	745	1040	9630	3236	160	6000	6472	100
19	270	270	195	895	10870	10970	9500	8154	5319	745	1040	9630	3236	160	6000	6472	100
20	270	270	195	895	10872	10972	9500	8439	5413	745	1040	9630	3236	160	6000	6472	100
21	270	270	195	895	10876	10976	9500	8922	5522	745	1040	9630	3486	160	6500	6972	100
22	270	270	195	895	10872	10972	9500	9359	5657	745	1040	9630	3486	160	6500	6972	100
23	270	270	195	895	10876	10976	9500	9949	5836	745	1040	9630	3486	160	6500	6972	100
24	270	270	195	895	10872	10972	9500	10519	6008	745	1040	9555	3486	160	6500	6972	100
25	270	270	195	895	10970	11070	9500	10657	6100	745	1040	9555	3256	160	6000	6512	120
26	270	270	195	895	10970	11070	9500	10885	6173	745	1040	9555	3256	160	6000	6512	120
27	270	270	195	965	10976	11076	9500	12019	6513	745	1040	9555	3256	160	6000	6512	120
28	270	270	195	965	11070	11170	9500	11676	6418	745	1040	9555	3256	160	6000	6512	120
29	270	270	195	965	11076	11176	9500	12837	6762	745	1040	9555	3256	160	6000	6512	120
30	280	280	195	1035	11080	11180	9500	13898	7074	745	1040	9555	3289	200	6000	6577	120

1) Minimum dimension, includes 100 mm clearance

2) Minimum dimension, includes 500 mm clearance

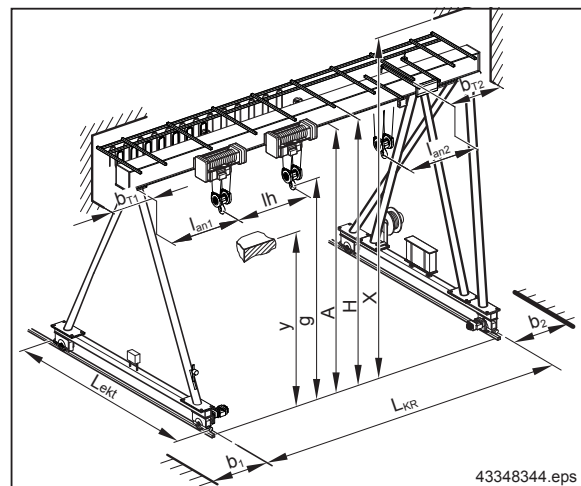
All dimensions in mm (L_{KR} in m).

Weights **max. R** and **G_e** are in kg.

All structural dimensions, approach dimensions and information on the crane runway dimensions are based on the standard design presented in this catalogue. Any deviations must be checked.

EVPE load capacity 2x 3,2 t

Overall height: A4 m
 Trolley: DFW-P ___ / ___
 Travelling hoist: 2x EKDR 3 - 3,2 4/1 - 10,0 Z - 12,5



Hook path: 10 m; hoist speed: 6/1 m/min; 9/1,5 m/min;
 or 0,5 - 12,5 m/min infinitely variable;
 cross-travel speed up to 30 m/min infinitely variable

Crane										Travelling hoist			Travel unit				
L _{KR}	b ₁ 1)	b ₂ 1)	b _{T1} 1)	b _{T2} 1)	H	X 1)	y 2)	GG	R _{max}	l _{an1}	l _{an2}	g	l _{an3} /l _{an4}	d	ekt	L _{ekt}	DPZ
4	270	270	140	490	4464	4564	3500	2756	3224	625	920	3626	2209	125	4000	4417	100
5	270	270	140	490	4464	4564	3500	2865	3520	625	920	3626	2209	125	4000	4417	100
6	270	270	140	490	4464	4564	3500	2973	3727	625	920	3626	2209	125	4000	4417	100
7	270	270	140	490	4470	4570	3500	3197	3886	625	920	3630	2209	125	4000	4417	100
8	270	270	140	490	4470	4570	3500	3318	4016	625	920	3630	2209	125	4000	4417	100
9	270	270	140	490	4570	4670	3500	3546	4156	625	920	3630	2209	125	4000	4417	100
10	270	270	140	490	4570	4670	3500	3679	4219	625	920	3630	2209	125	4000	4417	100
11	270	270	140	490	4670	4770	3500	3930	3998	625	920	3630	2209	125	4000	4417	100
12	270	270	140	490	4670	4770	3500	4071	4419	625	920	3630	2209	125	4000	4417	100
13	270	270	140	490	4672	4772	3500	4292	4515	625	920	3630	2209	125	4000	4417	100
14	270	270	140	490	4770	4870	3500	4521	4573	625	920	3630	2209	125	4000	4417	100
15	270	270	140	490	4772	4872	3500	4745	4632	625	920	3630	2209	125	4000	4417	100
16	270	270	140	490	4776	4876	3500	5082	4751	745	1040	3630	2209	125	4000	4417	100
17	270	270	140	490	4870	4970	3500	5275	4826	745	1040	3630	2209	125	4000	4417	100
18	270	270	140	490	4872	4972	3500	5545	4920	745	1040	3630	2209	125	4000	4417	100
19	270	270	140	490	4876	4976	3500	5915	5000	745	1040	3630	2209	125	4000	4417	100
20	270	270	195	895	4972	5072	3500	6492	5203	745	1040	3630	2236	160	4000	4472	100
21	270	270	195	895	4970	5070	3500	6943	5341	745	1040	3630	2236	160	4000	4472	100
22	270	270	195	895	4972	5072	3500	7599	5553	745	1040	3630	2236	160	4000	4472	100
23	270	270	195	895	4970	5070	3500	8304	5760	745	1040	3555	2236	160	4000	4472	100
24	270	270	195	895	4972	5072	3500	8950	5960	745	1040	3555	2236	160	4000	4472	100
25	270	270	195	895	4976	5076	3500	9727	6185	745	1040	3555	2236	160	4000	4472	100
26	270	270	195	895	5070	5170	3500	9438	6090	745	1040	3555	2236	160	4000	4472	100
27	270	270	195	895	5072	5172	3500	9971	6246	745	1040	3555	2236	160	4000	4472	100
28	270	270	195	895	5076	5176	3500	10834	6494	745	1040	3555	2236	160	4000	4472	100
29	270	270	195	895	5076	5176	3500	11124	6581	745	1040	3555	2236	160	4000	4472	100
30	280	280	195	895	5230	5330	3500	12494	6967	745	1040	3555	2269	200	4000	4537	100

© Demag Cranes & Components GmbH

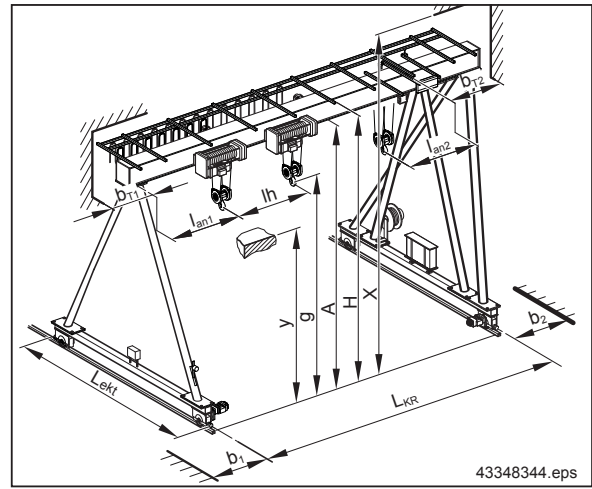
1) Minimum dimension, includes 100 mm clearance
 2) Minimum dimension, includes 500 mm clearance
 All dimensions in mm (L_{kr} in m).
 Weights **max. R** and **G_e** are in kg.

All structural dimensions, approach dimensions and information on the crane runway dimensions are based on the standard design presented in this catalogue. Any deviations must be checked.

20373744.indd0808112

EVPE load capacity 2x 3,2 t

Overall height: A6 m
 Trolley: DFW-P ___ / ___
 Travelling hoist: 2x EKDR 3 - 3,2 4/1 - 10,0 Z - 12,5



Hook path: 10 m; hoist speed: 6/1 m/min; 9/1,5 m/min;
 or 0,5 - 12,5 m/min infinitely variable;
 cross-travel speed up to 30 m/min infinitely variable

Crane										Travelling hoist			Travel unit				
L _{KR}	b ₁ 1)	b ₂ 1)	b _{T1} 1)	b _{T2} 1)	H	X 1)	y 2)	GG	R _{max}	l _{an1}	l _{an2}	g	l _{an3} /l _{an4}	d	ekt	L _{ekt}	DPZ
4	270	270	195	895	6464	6564	5500	3494	3575	625	920	5626	2709	125	5000	5417	100
5	270	270	195	895	6464	6564	5500	3603	3870	625	920	5626	2709	125	5000	5417	100
6	270	270	195	895	6464	6564	5500	3711	4030	625	920	5626	2709	125	5000	5417	100
7	270	270	195	895	6470	6570	5500	3941	4224	625	920	5630	2709	125	5000	5417	100
8	270	270	195	895	6470	6570	5500	4062	4354	625	920	5630	2709	125	5000	5417	100
9	270	270	195	895	6570	6670	5500	4293	4495	625	920	5630	2709	125	5000	5417	100
10	270	270	195	895	6570	6670	5500	4427	4592	625	920	5630	2709	125	5000	5417	100
11	270	270	195	895	6670	6770	5500	4680	4316	625	920	5630	2709	125	5000	5417	100
12	270	270	195	895	6670	6770	5500	4822	4744	625	920	5630	2709	125	5000	5417	100
13	270	270	195	895	6672	6772	5500	5045	4841	625	920	5630	2709	125	5000	5417	100
14	270	270	195	895	6770	6870	5500	5275	4937	625	920	5630	2709	125	5000	5417	100
15	270	270	195	895	6772	6872	5500	5501	4997	625	920	5630	2709	125	5000	5417	100
16	270	270	195	895	6776	6876	5500	5952	5093	745	1040	5630	2736	160	5000	5472	100
17	270	270	195	895	6870	6970	5500	6145	5168	745	1040	5630	2736	160	5000	5472	100
18	270	270	195	895	6872	6972	5500	6417	5262	745	1040	5630	2736	160	5000	5472	100
19	270	270	195	895	6876	6976	5500	6791	5385	745	1040	5630	2736	160	5000	5472	100
20	270	270	195	895	6972	7072	5500	6978	5452	745	1040	5630	2736	160	5000	5472	100
21	270	270	195	895	6970	7070	5500	7429	5593	745	1040	5630	2736	160	5000	5472	100
22	270	270	195	895	6972	7072	5500	7827	5716	745	1040	5630	2736	160	5000	5472	100
23	270	270	195	895	6970	7070	5500	8532	5927	745	1040	5555	2736	160	5000	5472	100
24	270	270	195	895	6972	7072	5500	9034	6078	745	1040	5555	2736	160	5000	5472	100
25	270	270	195	895	6976	7076	5500	9811	6306	745	1040	5555	2736	160	5000	5472	100
26	270	270	195	895	7070	7170	5500	9513	6230	745	1040	5555	2736	160	5000	5472	100
27	270	270	195	895	7072	7172	5500	10031	6383	745	1040	5555	2736	160	5000	5472	100
28	270	270	195	895	7076	7176	5500	10879	6629	745	1040	5555	2736	160	5000	5472	100
29	270	270	195	895	7076	7176	5500	11152	6711	745	1040	5555	2736	160	5000	5472	100
30	280	280	195	895	7230	7330	5500	12655	7139	745	1040	5555	2769	200	5000	5537	100

1) Minimum dimension, includes 100 mm clearance
 2) Minimum dimension, includes 500 mm clearance

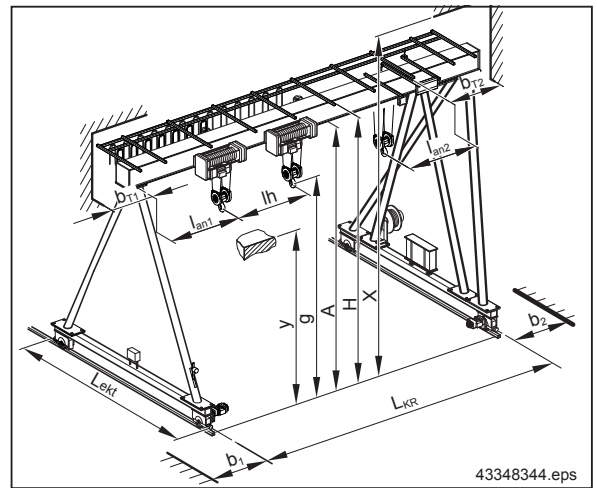
All dimensions in mm (L_{KR} in m).

Weights max. R and G_e are in kg.

All structural dimensions, approach dimensions and information on the crane runway dimensions are based on the standard design presented in this catalogue. Any deviations must be checked.

EVPE load capacity 2x 3,2 t

Overall height: A8 m
 Trolley: DFW-P ___ / ___
 Travelling hoist: 2x EKDR 3 - 3,2 4/1 - 10,0 Z - 12,5



Hook path: 10 m; hoist speed: 6/1 m/min; 9/1,5 m/min;
 or 0,5 - 12,5 m/min infinitely variable;
 cross-travel speed up to 30 m/min infinitely variable

Crane										Travelling hoist			Travel unit				
L _{KR}	b ₁ 1)	b ₂ 1)	b _{T1} 1)	b _{T2} 1)	H	X 1)	y 2)	GG	R _{max}	l _{an1}	l _{an2}	g	l _{an3} /l _{an4}	d	ekt	L _{ekt}	DPZ
4	270	270	195	895	8464	8564	7500	3906	3784	625	920	7626	2959	125	5500	5917	100
5	270	270	195	895	8464	8564	7500	4015	4080	625	920	7626	2959	125	5500	5917	100
6	270	270	195	895	8464	8564	7500	4123	4286	625	920	7626	2959	125	5500	5917	100
7	270	270	195	895	8470	8570	7500	4353	4481	625	920	7630	2959	125	5500	5917	100
8	270	270	195	895	8470	8570	7500	4474	4548	625	920	7630	2959	125	5500	5917	100
9	270	270	195	895	8570	8670	7500	4705	4689	625	920	7630	2959	125	5500	5917	100
10	270	270	195	965	8570	8670	7500	4922	4774	625	920	7630	3209	125	6000	6417	100
11	270	270	195	965	8670	8770	7500	5176	4895	625	920	7630	3209	125	6000	6417	100
12	270	270	195	965	8670	8770	7500	5318	4976	625	920	7630	3209	125	6000	6417	100
13	270	270	195	1035	8672	8772	7500	5658	5106	625	920	7630	3236	160	6000	6472	100
14	270	270	195	1105	8770	8870	7500	5899	5145	625	920	7630	3236	160	6000	6472	100
15	270	270	195	895	8772	8872	7500	6621	5371	625	920	7630	3236	160	6000	6472	100
16	270	270	195	895	8776	8876	7500	6962	5492	745	1040	7630	3236	160	6000	6472	100
17	270	270	195	895	8870	8970	7500	7155	5567	745	1040	7630	3236	160	6000	6472	100
18	270	270	195	895	8872	8972	7500	7427	5662	745	1040	7630	3236	160	6000	6472	100
19	270	270	195	895	8876	8976	7500	7801	5786	745	1040	7630	3236	160	6000	6472	100
20	270	270	195	895	8972	9072	7500	7988	5854	745	1040	7630	3236	160	6000	6472	100
21	270	270	195	895	8970	9070	7500	8439	5996	745	1040	7630	3236	160	6000	6472	100
22	270	270	195	895	8972	9072	7500	8837	6120	745	1040	7630	3236	160	6000	6472	100
23	270	270	195	895	8970	9070	7500	9542	6332	745	1040	7555	3236	160	6000	6472	100
24	270	270	195	895	8972	9072	7500	10044	6484	745	1040	7555	3236	160	6000	6472	100
25	270	270	195	895	8976	9076	7500	10821	6714	745	1040	7555	3236	160	6000	6472	100
26	270	270	195	895	9070	9170	7500	10523	6637	745	1040	7555	3236	160	6000	6472	100
27	270	270	195	895	9072	9172	7500	11041	6791	745	1040	7555	3236	160	6000	6472	100
28	280	280	195	895	9076	9176	7500	12019	7071	745	1040	7555	3269	200	6000	6537	100
29	280	280	195	895	9076	9176	7500	12292	7153	745	1040	7555	3269	200	6000	6537	100
30	280	280	195	965	9230	9330	7500	13696	7566	745	1040	7555	3269	200	6000	6537	100

© Demag Cranes & Components GmbH

1) Minimum dimension, includes 100 mm clearance

2) Minimum dimension, includes 500 mm clearance

All dimensions in mm (L_{kr} in m).

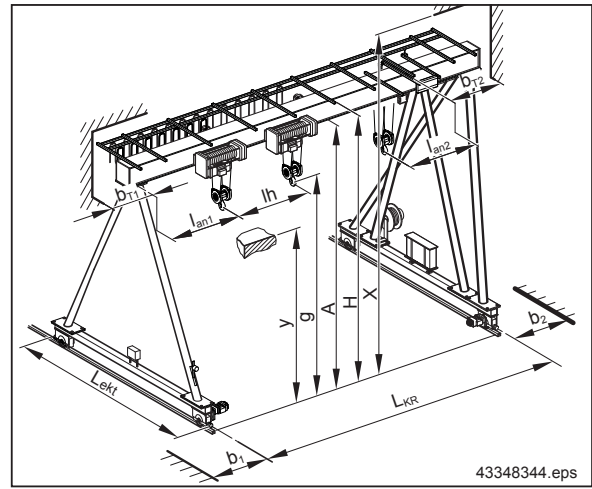
Weights **max. R** and **G_e** are in kg.

All structural dimensions, approach dimensions and information on the crane runway dimensions are based on the standard design presented in this catalogue. Any deviations must be checked.

20373744.indd0808112

EVPE load capacity 2x 3,2 t

Overall height: A10 m
 Trolley: DFW-P ___ / ___
 Travelling hoist: 2x EKDR 3 - 3,2 4/1 - 10,0 Z - 12,5



Hook path: 10 m; hoist speed: 6/1 m/min; 9/1,5 m/min;
 or 0,5 - 12,5 m/min infinitely variable;
 cross-travel speed up to 30 m/min infinitely variable

Crane										Travelling hoist			Travel unit				
L _{KR}	b ₁ 1)	b ₂ 1)	b _{T1} 1)	b _{T2} 1)	H	X 1)	y 2)	GG	R _{max}	l _{an1}	l _{an2}	g	l _{an3} /l _{an4}	d	ekt	L _{ekt}	DPZ
4	270	270	195	895	10464	10564	9500	5164	4227	625	920	9626	3209	125	6000	6417	100
5	270	270	195	895	10464	10564	9500	5273	4523	625	920	9626	3209	125	6000	6417	100
6	270	270	195	895	10464	10564	9500	5381	4729	625	920	9626	3209	125	6000	6417	100
7	270	270	195	895	10470	10570	9500	5611	4924	625	920	9630	3209	125	6000	6417	100
8	270	270	195	895	10470	10570	9500	5838	5003	625	920	9630	3236	160	6000	6472	100
9	270	270	195	895	10570	10670	9500	6069	5144	625	920	9630	3236	160	6000	6472	100
10	270	270	195	895	10570	10670	9500	6203	5241	625	920	9630	3236	160	6000	6472	100
11	270	270	195	895	10670	10770	9500	6456	5363	625	920	9630	3236	160	6000	6472	100
12	270	270	195	895	10670	10770	9500	6598	5444	625	920	9630	3236	160	6000	6472	100
13	270	270	195	895	10672	10772	9500	6821	5541	625	920	9630	3236	160	6000	6472	100
14	270	270	195	895	10770	10870	9500	7141	5622	625	920	9630	3486	160	6500	6972	100
15	270	270	195	895	10772	10872	9500	7367	5684	625	920	9630	3486	160	6500	6972	100
16	270	270	195	895	10776	10876	9500	7708	5807	745	1040	9630	3486	160	6500	6972	100
17	270	270	195	895	10870	10970	9500	7901	5883	745	1040	9630	3486	160	6500	6972	100
18	270	270	195	895	10872	10972	9500	8173	5980	745	1040	9630	3486	160	6500	6972	100
19	270	270	195	895	10876	10976	9500	8547	6104	745	1040	9630	3486	160	6500	6972	100
20	270	270	195	895	10972	11072	9500	8734	6172	745	1040	9630	3486	160	6500	6972	100
21	270	270	195	895	10970	11070	9500	9185	6315	745	1040	9630	3486	160	6500	6972	100
22	280	280	195	965	10972	11072	9500	9732	6482	745	1040	9630	3519	200	6500	7037	100
23	280	280	195	1035	10970	11070	9500	10454	6705	745	1040	9555	3519	200	6500	7037	100
24	280	280	195	1035	10972	11072	9500	10957	6860	745	1040	9555	3519	200	6500	7037	100
25	280	280	195	1105	10976	11076	9500	11849	7085	745	1040	9555	3769	200	7000	7537	100
26	280	280	195	1105	11070	11170	9500	11547	7006	745	1040	9555	3769	200	7000	7537	100
27	280	280	195	1105	11072	11172	9500	12066	7162	745	1040	9555	3769	200	7000	7537	100
28	280	280	195	1175	11076	11176	9500	12936	7424	745	1040	9555	3769	200	7000	7537	100
29	280	280	195	1175	11076	11176	9500	13211	7507	745	1040	9555	3769	200	7000	7537	100
30	280	280	195	1315	11230	11330	9500	14742	7920	745	1040	9555	4019	200	7500	8037	100

1) Minimum dimension, includes 100 mm clearance
 2) Minimum dimension, includes 500 mm clearance

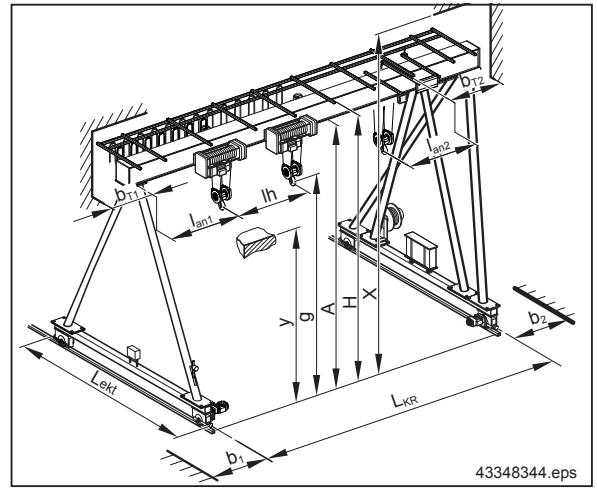
All dimensions in mm (L_{KR} in m).

Weights **max. R** and **G_e** are in kg.

All structural dimensions, approach dimensions and information on the crane runway dimensions are based on the standard design presented in this catalogue. Any deviations must be checked.

EVPE load capacity 2x 4,0 t

Overall height: A4 m
 Trolley: DFW-P ___ / ___
 Travelling hoist: 2x EKDR 5 - 4,0 4/1 - 10,0 Z - 12,5



Hook path: 10 m; hoist speed: 6/1 m/min; 9/1,5 m/min;
 or 0,5 - 12,5 m/min infinitely variable;
 cross-travel speed up to 30 m/min infinitely variable

43348344.eps

Crane										Travelling hoist			Travel unit				
L _{KR}	b ₁ 1)	b ₂ 1)	b _{T1} 1)	b _{T2} 1)	H	X 1)	y 2)	GG	R _{max}	l _{an1}	l _{an2}	g	l _{an3} /l _{an4}	d	ekt	L _{ekt}	DPZ
4	270	270	140	490	4464	4564	3500	3164	3888	645	930	3576	2459	125	4500	4917	100
5	270	270	140	490	4464	4564	3500	3275	4261	645	930	3576	2459	125	4500	4917	100
6	270	270	140	490	4464	4564	3500	3381	4487	645	930	3576	2459	125	4500	4917	100
7	270	270	140	490	4466	4566	3500	3532	4692	645	930	3576	2459	125	4500	4917	100
8	270	270	195	895	4564	4664	3500	3951	4925	645	930	3576	2459	125	4500	4917	100
9	270	270	195	895	4570	4670	3500	4251	5145	645	930	3580	2236	160	4000	4472	100
10	270	270	195	895	4670	4770	3500	4493	5291	645	930	3580	2236	160	4000	4472	100
11	270	270	195	895	4670	4770	3500	4718	5336	645	930	3580	2486	160	4500	4972	100
12	270	270	195	895	4676	4776	3500	4976	5502	645	930	3580	2236	160	4000	4472	100
13	270	270	195	895	4770	4870	3500	5079	5573	645	930	3580	2236	160	4000	4472	100
14	270	270	195	895	4776	4876	3500	5458	5722	645	930	3580	2236	160	4000	4472	100
15	270	270	195	895	4870	4970	3500	5647	5726	645	930	3580	2236	160	4000	4472	100
16	270	270	195	895	4876	4976	3500	6077	5878	765	1050	3580	2236	160	4000	4472	100
17	270	270	195	895	4880	4980	3500	6459	6014	765	1050	3580	2236	160	4000	4472	100
18	270	270	195	895	4972	5072	3500	6656	6096	765	1050	3580	2236	160	4000	4472	100
19	270	270	195	895	4976	5076	3500	7053	6228	765	1050	3580	2236	160	4000	4472	100
20	270	270	195	895	4976	5076	3500	7625	6354	765	1050	3580	2236	160	4000	4472	100
21	270	270	195	895	4976	5076	3500	8065	6497	765	1050	3580	2236	160	4000	4472	100
22	270	270	195	895	4976	5076	3500	9179	6781	765	1050	3455	2486	160	4500	4972	100
23	270	270	195	895	4976	5076	3500	9373	6891	765	1050	3455	2236	160	4000	4472	100
24	280	280	195	895	5072	5172	3500	9615	6968	765	1050	3455	2269	200	4000	4537	100
25	280	280	195	895	5076	5176	3500	10419	7206	765	1050	3455	2269	200	4000	4537	100
26	280	280	195	895	5080	5180	3500	11263	7451	765	1050	3455	2269	200	4000	4537	100
27	280	280	195	895	5080	5180	3500	11571	7546	765	1050	3455	2269	200	4000	4537	100
28	280	280	195	895	5085	5185	3500	12667	7863	765	1050	3460	2269	200	4000	4537	100
29	280	280	195	895	5090	5190	3500	13869	8153	765	1050	3460	2519	200	4500	5037	100
30	280	280	195	895	5090	5190	3500	15463	8660	765	1050	3460	2269	200	4000	4537	100

© Demag Cranes & Components GmbH

1) Minimum dimension, includes 100 mm clearance

2) Minimum dimension, includes 500 mm clearance

All dimensions in mm (L_{Kr} in m).

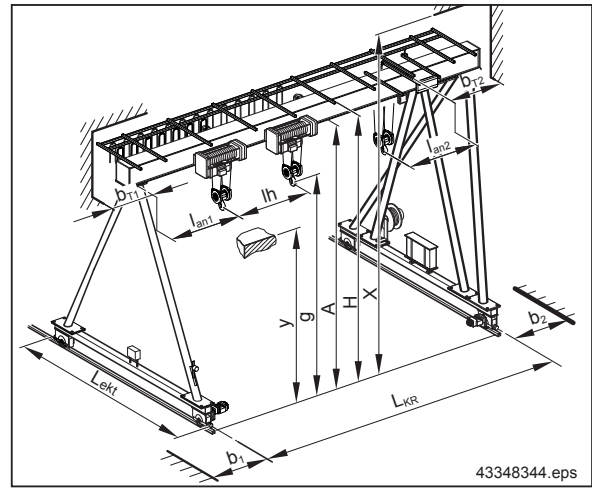
Weights **max. R** and **G_e** are in kg.

All structural dimensions, approach dimensions and information on the crane runway dimensions are based on the standard design presented in this catalogue. Any deviations must be checked.

20373744.indd0808112

EVPE load capacity 2x 4,0 t

Overall height: A6 m
 Trolley: DFW-P ___ / ___
 Travelling hoist: 2x EKDR 5 - 4,0 4/1 - 10,0 Z - 12,5



Hook path: 10 m; hoist speed: 6/1 m/min; 9/1,5 m/min;
 or 0,5 - 12,5 m/min infinitely variable;
 cross-travel speed up to 30 m/min infinitely variable

Crane										Travelling hoist			Travel unit				
L _{KR}	b ₁ 1)	b ₂ 1)	b _{T1} 1)	b _{T2} 1)	H	X 1)	y 2)	GG	R _{max}	l _{an1}	l _{an2}	g	l _{an3} /l _{an4}	d	ekt	L _{ekt}	DPZ
4	270	270	195	895	6464	6564	5500	3898	4226	645	930	5576	2959	125	5500	5917	100
5	270	270	195	895	6464	6564	5500	4009	4598	645	930	5576	2959	125	5500	5917	100
6	270	270	195	895	6464	6564	5500	4115	4857	645	930	5576	2959	125	5500	5917	100
7	270	270	195	895	6466	6566	5500	4379	5091	645	930	5576	2986	160	5500	5972	100
8	270	270	195	895	6564	6664	5500	4537	5261	645	930	5576	2986	160	5500	5972	100
9	270	270	195	895	6570	6670	5500	4807	5381	645	930	5580	2986	160	5500	5972	100
10	270	270	195	895	6670	6770	5500	5049	5526	645	930	5580	2986	160	5500	5972	100
11	270	270	195	895	6670	6770	5500	5194	5631	645	930	5580	2986	160	5500	5972	100
12	270	270	195	895	6676	6776	5500	5532	5780	645	930	5580	2986	160	5500	5972	100
13	270	270	195	895	6770	6870	5500	5635	5795	645	930	5580	2986	160	5500	5972	100
14	270	270	195	895	6776	6876	5500	6014	5941	645	930	5580	2986	160	5500	5972	100
15	270	270	195	895	6870	6970	5500	6203	5991	645	930	5580	2986	160	5500	5972	100
16	270	270	195	895	6876	6976	5500	6633	6143	765	1050	5580	2986	160	5500	5972	100
17	270	270	195	895	6880	6980	5500	7015	6280	765	1050	5580	2986	160	5500	5972	100
18	270	270	195	895	6972	7072	5500	7007	6301	765	1050	5580	2986	160	5500	5972	100
19	270	270	195	895	6976	7076	5500	7414	6372	765	1050	5580	2986	160	5500	5972	100
20	270	270	195	895	6976	7076	5500	8181	6606	765	1050	5580	2986	160	5500	5972	100
21	270	270	195	895	6976	7076	5500	8406	6686	765	1050	5580	2986	160	5500	5972	100
22	270	270	195	895	6976	7076	5500	9430	6988	765	1050	5455	2986	160	5500	5972	100
23	280	280	195	895	6976	7076	5500	9822	7108	765	1050	5455	3019	200	5500	6037	100
24	280	280	195	895	7072	7172	5500	9811	7117	765	1050	5455	3019	200	5500	6037	100
25	280	280	195	895	7076	7176	5500	10599	7350	765	1050	5455	3019	200	5500	6037	100
26	280	280	195	895	7080	7180	5500	11428	7591	765	1050	5455	3019	200	5500	6037	100
27	280	280	195	895	7080	7180	5500	11721	7683	765	1050	5455	3019	200	5500	6037	100
28	280	280	195	895	7085	7185	5500	12517	7915	765	1050	5460	3019	200	5500	6037	100
29	280	280	195	895	7090	7190	5500	13973	8355	765	1050	5460	3019	200	5500	6037	100
30	280	280	195	895	7090	7190	5500	15388	8759	765	1050	5460	3019	200	5500	6037	100

1) Minimum dimension, includes 100 mm clearance
 2) Minimum dimension, includes 500 mm clearance

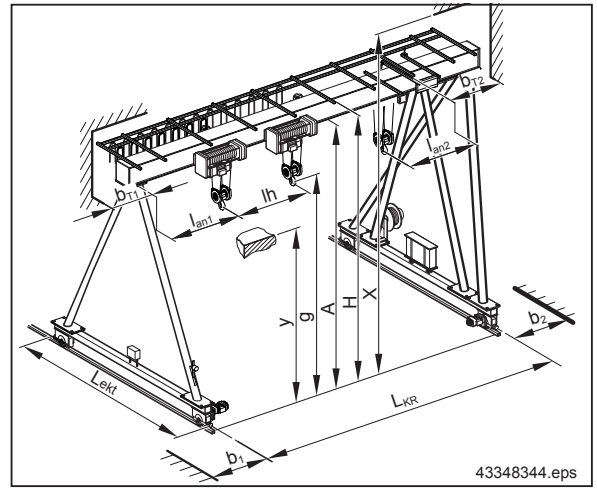
All dimensions in mm (L_{KR} in m).

Weights **max. R** and **G_e** are in kg.

All structural dimensions, approach dimensions and information on the crane runway dimensions are based on the standard design presented in this catalogue. Any deviations must be checked.

EVPE load capacity 2x 4,0 t

Overall height: A8 m
 Trolley: DFW-P ___ / ___
 Travelling hoist: 2x EKDR 5 - 4,0 4/1 - 10,0 Z - 12,5



Hook path: 10 m; hoist speed: 6/1 m/min; 9/1,5 m/min;
 or 0,5 - 12,5 m/min infinitely variable;
 cross-travel speed up to 30 m/min infinitely variable

Crane										Travelling hoist			Travel unit				
L _{KR}	b ₁ 1)	b ₂ 1)	b _{T1} 1)	b _{T2} 1)	H	X 1)	y 2)	GG	R _{max}	l _{an1}	l _{an2}	g	l _{an3} /l _{an4}	d	ekt	L _{ekt}	DPZ
4	270	270	195	895	8464	8564	7500	4314	4519	645	930	7576	3209	125	6000	6417	100
5	270	270	195	965	8464	8564	7500	4433	4897	645	930	7576	3209	125	6000	6417	100
6	270	270	195	965	8464	8564	7500	5172	5297	645	930	7576	3236	160	6000	6472	100
7	270	270	195	965	8466	8566	7500	5326	5505	645	930	7576	3236	160	6000	6472	100
8	270	270	195	965	8564	8664	7500	5485	5676	645	930	7576	3236	160	6000	6472	100
9	270	270	195	965	8570	8670	7500	5836	5759	645	930	7580	3486	160	6500	6972	100
10	270	270	195	965	8670	8770	7500	6079	5905	645	930	7580	3486	160	6500	6972	100
11	270	270	195	965	8670	8770	7500	6144	6027	645	930	7580	3236	160	6000	6472	100
12	270	270	195	965	8676	8776	7500	6563	6158	645	930	7580	3486	160	6500	6972	100
13	270	270	195	965	8770	8870	7500	6665	6230	645	930	7580	3486	160	6500	6972	100
14	280	280	195	965	8776	8876	7500	7179	6337	645	930	7580	3519	200	6500	7037	100
15	280	280	195	965	8870	8970	7500	7369	6386	645	930	7580	3519	200	6500	7037	100
16	280	280	195	965	8876	8976	7500	7800	6539	765	1050	7580	3519	200	6500	7037	100
17	280	280	195	965	8880	8980	7500	8182	6675	765	1050	7580	3519	200	6500	7037	100
18	280	280	195	965	8972	9072	7500	8173	6696	765	1050	7580	3519	200	6500	7037	100
19	280	280	195	965	8976	9076	7500	8581	6831	765	1050	7580	3519	200	6500	7037	100
20	280	280	195	965	8976	9076	7500	9350	7067	765	1050	7580	3519	200	6500	7037	100
21	280	280	195	965	8976	9076	7500	9575	7149	765	1050	7580	3519	200	6500	7037	100
22	280	280	195	965	8976	9076	7500	10602	7455	765	1050	7455	3519	200	6500	7037	100
23	280	280	195	965	8976	9076	7500	10866	7544	765	1050	7455	3519	200	6500	7037	100
24	280	280	195	965	9072	9172	7500	10854	7552	765	1050	7455	3519	200	6500	7037	100
25	280	280	195	965	9076	9176	7500	11644	7787	765	1050	7455	3519	200	6500	7037	100
26	280	280	195	965	9080	9180	7500	12474	8032	765	1050	7455	3519	200	6500	7037	100
27	280	280	195	965	9080	9180	7500	12767	8123	765	1050	7455	3519	200	6500	7037	100
28	280	280	195	965	9085	9185	7500	13564	8358	765	1050	7460	3519	200	6500	7037	100
29	280	280	195	965	9090	9190	7500	14626	8665	765	1050	7460	3519	200	6500	7037	100
30	280	280	195	965	9090	9190	7500	16043	9074	765	1050	7460	3519	200	6500	7037	100

© Demag Cranes & Components GmbH

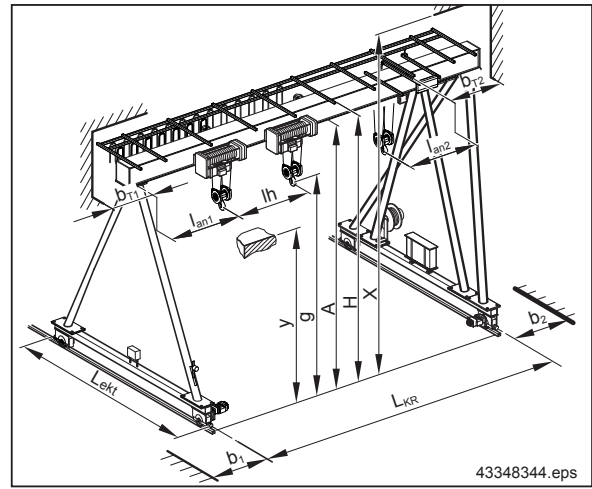
1) Minimum dimension, includes 100 mm clearance
 2) Minimum dimension, includes 500 mm clearance
 All dimensions in mm (L_{kr} in m).
 Weights **max. R** and **G_e** are in kg.

All structural dimensions, approach dimensions and information on the crane runway dimensions are based on the standard design presented in this catalogue. Any deviations must be checked.

20373744.indd0808112

EVPE load capacity 2x 4,0 t

Overall height: A10 m
 Trolley: DFW-P ___ / ___
 Travelling hoist: 2x EKDR 5 - 4,0 4/1 - 10,0 Z - 12,5



Hook path: 10 m; hoist speed: 6/1 m/min; 9/1,5 m/min;
 or 0,5 - 12,5 m/min infinitely variable;
 cross-travel speed up to 30 m/min infinitely variable

Crane										Travelling hoist			Travel unit				
L _{KR}	b ₁ 1)	b ₂ 1)	b _{T1} 1)	b _{T2} 1)	H	X 1)	y 2)	GG	R _{max}	l _{an1}	l _{an2}	g	l _{an3} /l _{an4}	d	ekt	L _{ekt}	DPZ
4	270	270	195	895	10464	10564	9500	5604	4957	645	930	9576	3236	160	6000	6472	100
5	270	270	195	895	10464	10564	9500	5715	5330	645	930	9576	3236	160	6000	6472	100
6	270	270	195	895	10464	10564	9500	5911	5563	645	930	9576	3486	160	6500	6972	100
7	270	270	195	895	10466	10566	9500	6065	5769	645	930	9576	3486	160	6500	6972	100
8	270	270	195	895	10564	10664	9500	6223	5940	645	930	9576	3486	160	6500	6972	100
9	270	270	195	895	10570	10670	9500	6493	6114	645	930	9580	3486	160	6500	6972	100
10	280	280	195	965	10670	10770	9500	6973	6278	645	930	9580	3769	200	7000	7537	100
11	280	280	195	965	10670	10770	9500	7118	6383	645	930	9580	3769	200	7000	7537	100
12	280	280	195	965	10676	10776	9500	7457	6447	645	930	9580	3769	200	7000	7537	100
13	280	280	195	1035	10770	10870	9500	7570	6524	645	930	9580	3769	200	7000	7537	100
14	280	280	195	1035	10776	10876	9500	7951	6672	645	930	9580	3769	200	7000	7537	100
15	280	280	195	1035	10870	10970	9500	8140	6722	645	930	9580	3769	200	7000	7537	100
16	280	280	195	1035	10876	10976	9500	8573	6877	765	1050	9580	3769	200	7000	7537	100
17	280	280	195	1105	10880	10980	9500	8969	7021	765	1050	9580	3769	200	7000	7537	100
18	280	280	195	1105	10972	11072	9500	8959	7042	765	1050	9580	3769	200	7000	7537	100
19	280	280	195	1105	10976	11076	9500	9465	7167	765	1050	9580	4019	200	7500	8037	100
20	280	280	195	1175	10976	11076	9500	10253	7416	765	1050	9580	4019	200	7500	8037	100
21	280	280	195	1175	10976	11076	9500	10478	7498	765	1050	9580	4019	200	7500	8037	100
22	280	280	195	1245	10976	11076	9500	11530	7819	765	1050	9455	4019	200	7500	8037	100
23	280	280	195	1245	10976	11076	9500	11794	7908	765	1050	9455	4019	200	7500	8037	100
24	280	280	195	1245	11072	11172	9500	11779	7914	765	1050	9455	4019	200	7500	8037	100
25	280	280	195	1315	11076	11176	9500	12689	8150	765	1050	9455	4269	200	8000	8537	100
26	280	280	195	1385	11080	11180	9500	13546	8410	765	1050	9455	4269	200	8000	8537	100
27	280	280	195	1385	11080	11180	9500	13839	8502	765	1050	9455	4269	200	8000	8537	100
28	280	280	195	1455	11085	11185	9500	14666	8752	765	1050	9460	4269	200	8000	8537	100
29	280	280	195	1175	11090	11190	9500	16439	9289	765	1050	9460	4269	200	8000	8537	100
30	280	280	195	1245	11090	11190	9500	17889	9715	765	1050	9460	4269	200	8000	8537	100

1) Minimum dimension, includes 100 mm clearance
 2) Minimum dimension, includes 500 mm clearance

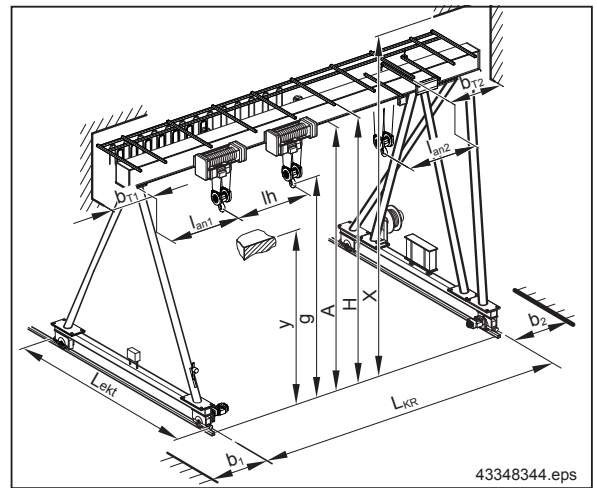
All dimensions in mm (L_{KR} in m).

Weights **max. R** and **G_e** are in kg.

All structural dimensions, approach dimensions and information on the crane runway dimensions are based on the standard design presented in this catalogue. Any deviations must be checked.

EVPE load capacity 2x 5,0 t

Overall height: A4 m
 Trolley: DFW-P ___ / ___
 Travelling hoist: 2x EKDR 5 - 5,0 4/1 - 10,0 Z - 12,5



Hook path: 10 m; hoist speed: 6/1 m/min; 9/1,5 m/min;
 or 0,5 - 12,5 m/min infinitely variable;
 cross-travel speed up to 30 m/min infinitely variable

Crane										Travelling hoist			Travel unit				
L _{KR}	b ₁ 1)	b ₂ 1)	b _{T1} 1)	b _{T2} 1)	H	X 1)	y 2)	GG	R _{max}	l _{an1}	l _{an2}	g	l _{an3} /l _{an4}	d	ekt	L _{ekt}	DPZ
4	270	270	195	895	4470	4570	3500	3414	4778	645	930	3580	2209	125	4000	4417	100
5	270	270	195	895	4470	4570	3500	3731	5180	645	930	3580	2486	160	4500	4972	100
6	270	270	195	895	4470	4570	3500	3852	5494	645	930	3580	2486	160	4500	4972	100
7	270	270	195	895	4570	4670	3500	3983	5790	645	930	3580	2236	160	4000	4472	100
8	270	270	195	895	4570	4670	3500	4115	5978	645	930	3580	2236	160	4000	4472	100
9	270	270	195	895	4670	4770	3500	4347	6117	645	930	3580	2236	160	4000	4472	100
10	270	270	195	895	4670	4770	3500	4751	6341	645	930	3580	2236	160	4000	4472	100
11	270	270	195	895	4770	4870	3500	5025	6450	645	930	3580	2236	160	4000	4472	100
12	270	270	195	895	4772	4872	3500	5234	6571	645	930	3580	2236	160	4000	4472	100
13	270	270	195	895	4870	4970	3500	5563	6723	645	930	3580	2236	160	4000	4472	100
14	270	270	195	895	4872	4972	3500	5813	6788	645	930	3580	2236	160	4000	4472	100
15	270	270	195	895	4876	4976	3500	6147	6878	645	930	3580	2236	160	4000	4472	100
16	270	270	195	895	4972	5072	3500	6335	6968	765	1050	3580	2236	160	4000	4472	100
17	280	280	195	895	4970	5070	3500	6844	7145	765	1050	3580	2269	200	4000	4537	100
18	280	280	195	895	4976	5076	3500	7537	7315	765	1050	3580	2269	200	4000	4537	100
19	280	280	195	895	4976	5076	3500	7766	7404	765	1050	3580	2269	200	4000	4537	100
20	280	280	195	895	4976	5076	3500	8719	7697	765	1050	3455	2269	200	4000	4537	100
21	280	280	195	895	5070	5170	3500	8664	7712	765	1050	3455	2269	200	4000	4537	100
22	280	280	195	895	5072	5172	3500	8904	7798	765	1050	3455	2269	200	4000	4537	100
23	280	280	195	895	5076	5176	3500	9877	8023	765	1050	3455	2269	200	4000	4537	100
24	280	280	195	895	5080	5180	3500	10663	8257	765	1050	3455	2269	200	4000	4537	100
25	280	280	195	895	5222	5322	3500	10278	8167	765	1050	3455	2269	200	4000	4537	100
26	280	280	195	895	5226	5326	3500	11101	8410	765	1050	3455	2269	200	4000	4537	100
27	280	280	195	965	5226	5326	3500	11714	8599	765	1050	3455	2269	200	4000	4537	100
28	280	280	195	895	5231	5331	3500	13397	9086	765	1050	3460	2269	200	4000	4537	100
29	280	280	195	895	5235	5335	3500	13397	9086	765	1050	3460	2269	200	4000	4537	100
30	280	280	195	895	5240	5340	3500	14541	9414	765	1050	3460	2269	200	4000	4537	100

© Demag Cranes & Components GmbH

1) Minimum dimension, includes 100 mm clearance

2) Minimum dimension, includes 500 mm clearance

All dimensions in mm (L_{Kr} in m).

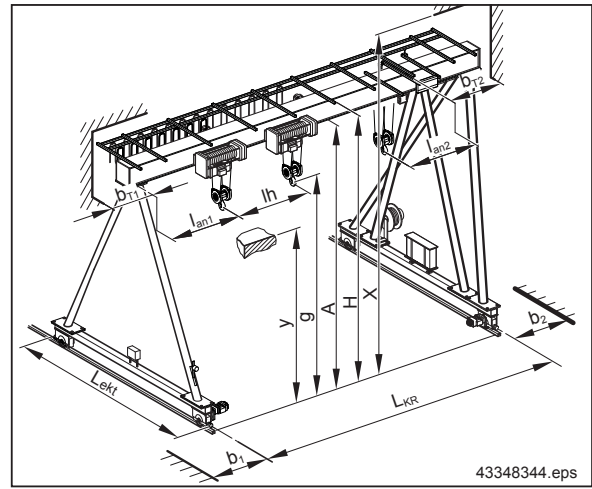
Weights **max. R** and **G_e** are in kg.

All structural dimensions, approach dimensions and information on the crane runway dimensions are based on the standard design presented in this catalogue. Any deviations must be checked.

20373744.indd0808112

EVPE load capacity 2x 5,0 t

Overall height: **A6 m**
 Trolley: **DFW-P ___ / ___**
 Travelling hoist: **2x EKDR 5 - 5,0 4/1 - 10,0 Z - 12,5**



Hook path: 10 m; hoist speed: 6/1 m/min; 9/1,5 m/min;
 or 0,5 - 12,5 m/min infinitely variable;
 cross-travel speed up to 30 m/min infinitely variable

Crane										Travelling hoist			Travel unit				
L _{KR}	b ₁ 1)	b ₂ 1)	b _{T1} 1)	b _{T2} 1)	H	X 1)	y 2)	GG	R _{max}	l _{an1}	l _{an2}	g	l _{an3} /l _{an4}	d	ekt	L _{ekt}	DPZ
4	270	270	195	895	6470	6570	5500	4010	5157	645	930	5580	2736	160	5000	5472	100
5	270	270	195	895	6470	6570	5500	4137	5611	645	930	5580	2736	160	5000	5472	100
6	270	270	195	895	6470	6570	5500	4258	5860	645	930	5580	2736	160	5000	5472	100
7	270	270	195	895	6570	6670	5500	4469	6122	645	930	5580	2736	160	5000	5472	100
8	270	270	195	895	6570	6670	5500	4671	6267	645	930	5580	2986	160	5500	5972	100
9	270	270	195	895	6670	6770	5500	4903	6385	645	930	5580	2986	160	5500	5972	100
10	270	270	195	895	6670	6770	5500	5049	6519	645	930	5580	2986	160	5500	5972	100
11	270	270	195	895	6770	6870	5500	5323	6677	645	930	5580	2986	160	5500	5972	100
12	270	270	195	895	6772	6872	5500	5532	6799	645	930	5580	2986	160	5500	5972	100
13	270	270	195	895	6870	6970	5500	5861	6882	645	930	5580	2986	160	5500	5972	100
14	280	280	195	895	6872	6972	5500	6303	7051	645	930	5580	3019	200	5500	6037	100
15	280	280	195	895	6876	6976	5500	6642	7143	645	930	5580	3019	200	5500	6037	100
16	280	280	195	895	6972	7072	5500	6761	7213	765	1050	5580	3019	200	5500	6037	100
17	280	280	195	895	6970	7070	5500	7162	7290	765	1050	5580	3019	200	5500	6037	100
18	280	280	195	895	6976	7076	5500	7855	7517	765	1050	5580	3019	200	5500	6037	100
19	280	280	195	895	6976	7076	5500	8084	7607	765	1050	5580	3019	200	5500	6037	100
20	280	280	195	895	6976	7076	5500	9037	7820	765	1050	5455	3019	200	5500	6037	100
21	280	280	195	895	7070	7170	5500	8844	7867	765	1050	5455	3019	200	5500	6037	100
22	280	280	195	895	7072	7172	5500	9308	7936	765	1050	5455	3019	200	5500	6037	100
23	280	280	195	895	7076	7176	5500	10057	8163	765	1050	5455	3019	200	5500	6037	100
24	280	280	195	895	7080	7180	5500	11239	8533	765	1050	5455	3019	200	5500	6037	100
25	280	280	195	895	7222	7322	5500	10854	8442	765	1050	5455	3019	200	5500	6037	100
26	280	280	195	895	7226	7326	5500	11677	8686	765	1050	5455	3019	200	5500	6037	100
27	280	280	195	895	7226	7326	5500	11964	8777	765	1050	5455	3019	200	5500	6037	100
28	280	280	195	895	7231	7331	5500	13679	9279	765	1050	5460	3019	200	5500	6037	100
29	280	280	195	895	7235	7335	5500	13679	9279	765	1050	5460	3019	200	5500	6037	100
30	280	280	195	895	7240	7340	5500	14780	9596	765	1050	5460	3019	200	5500	6037	100

1) Minimum dimension, includes 100 mm clearance

2) Minimum dimension, includes 500 mm clearance

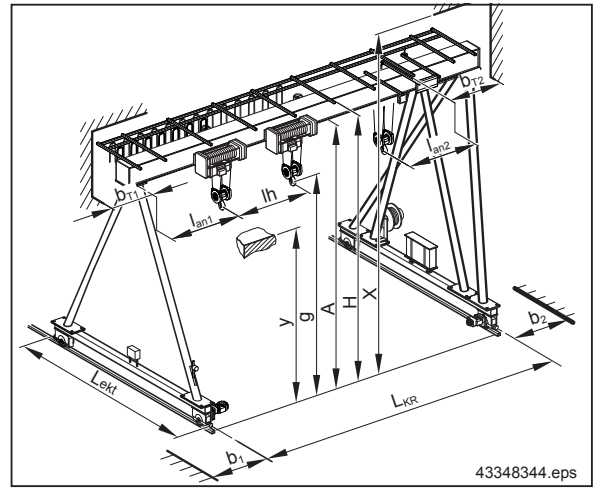
All dimensions in mm (L_{KR} in m).

Weights **max. R** and **G_e** are in kg.

All structural dimensions, approach dimensions and information on the crane runway dimensions are based on the standard design presented in this catalogue. Any deviations must be checked.

EVPE load capacity 2x 5,0 t

Overall height: A8 m
 Trolley: DFW-P ___ / ___
 Travelling hoist: 2x EKDR 5 - 5,0 4/1 - 10,0 Z - 12,5



Hook path: 10 m; hoist speed: 6/1 m/min; 9/1,5 m/min;
 or 0,5 - 12,5 m/min infinitely variable;
 cross-travel speed up to 30 m/min infinitely variable

Crane										Travelling hoist			Travel unit				
L _{KR}	b ₁ 1)	b ₂ 1)	b _{T1} 1)	b _{T2} 1)	H	X 1)	y 2)	GG	R _{max}	l _{an1}	l _{an2}	g	l _{an3} /l _{an4}	d	ekt	L _{ekt}	DPZ
4	270	270	195	895	8470	8570	7500	5020	5498	645	930	7580	3236	160	6000	6472	100
5	270	270	195	895	8470	8570	7500	5147	5952	645	930	7580	3236	160	6000	6472	100
6	270	270	195	895	8470	8570	7500	5268	6266	645	930	7580	3236	160	6000	6472	100
7	270	270	195	895	8570	8670	7500	5479	6528	645	930	7580	3236	160	6000	6472	100
8	270	270	195	895	8570	8670	7500	5611	6718	645	930	7580	3236	160	6000	6472	100
9	270	270	195	895	8670	8770	7500	5843	6814	645	930	7580	3236	160	6000	6472	100
10	270	270	195	895	8670	8770	7500	5989	6949	645	930	7580	3236	160	6000	6472	100
11	280	280	195	895	8770	8870	7500	6393	7138	645	930	7580	3269	200	6000	6537	100
12	280	280	195	895	8772	8872	7500	6602	7261	645	930	7580	3269	200	6000	6537	100
13	280	280	195	895	8870	8970	7500	7015	7294	645	930	7580	3519	200	6500	7037	100
14	280	280	195	895	8872	8972	7500	7265	7413	645	930	7580	3519	200	6500	7037	100
15	280	280	195	895	8876	8976	7500	7599	7503	645	930	7580	3519	200	6500	7037	100
16	280	280	195	895	8972	9072	7500	7787	7593	765	1050	7580	3519	200	6500	7037	100
17	280	280	195	895	8970	9070	7500	8188	7743	765	1050	7580	3519	200	6500	7037	100
18	280	280	195	895	8976	9076	7500	8881	7971	765	1050	7580	3519	200	6500	7037	100
19	280	280	195	895	8976	9076	7500	9110	7967	765	1050	7580	3519	200	6500	7037	100
20	280	280	195	895	8976	9076	7500	10063	8260	765	1050	7455	3519	200	6500	7037	100
21	280	280	195	895	9070	9170	7500	9870	8226	765	1050	7455	3519	200	6500	7037	100
22	280	280	195	895	9072	9172	7500	10334	8376	765	1050	7455	3519	200	6500	7037	100
23	280	280	195	895	9076	9176	7500	11083	8604	765	1050	7455	3519	200	6500	7037	100
24	280	280	195	895	9080	9180	7500	11953	8818	765	1050	7455	3769	200	7000	7537	100
25	280	280	195	895	9222	9322	7500	11568	8725	765	1050	7455	3769	200	7000	7537	100
26	280	280	195	1105	9226	9326	7500	14110	9617	765	1050	7455	4269	200	8000	8537	100
27	280	280	195	1175	9226	9326	7500	14417	9719	765	1050	7455	4269	200	8000	8537	100
28	305	305	195	1175	9231	9331	7500	17409	10599	765	1050	7460	4291	250	8000	8582	100
29	305	305	195	1175	9235	9335	7500	17409	10599	765	1050	7460	4291	250	8000	8582	100
30	305	305	195	1175	9240	9340	7500	18516	10921	765	1050	7460	4291	250	8000	8582	100

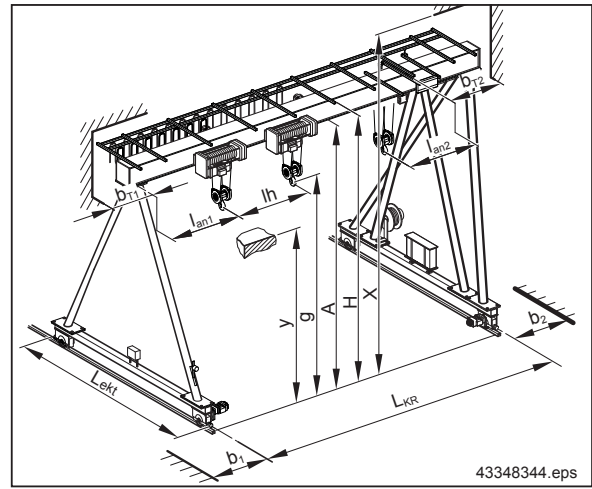
© Demag Cranes & Components GmbH

1) Minimum dimension, includes 100 mm clearance
 2) Minimum dimension, includes 500 mm clearance
 All dimensions in mm (L_{Kr} in m).
 Weights **max. R** and **G_e** are in kg.

All structural dimensions, approach dimensions and information on the crane runway dimensions are based on the standard design presented in this catalogue. Any deviations must be checked.

EVPE load capacity 2x 5,0 t

Overall height: A10 m
 Trolley: DFW-P ___ / ___
 Travelling hoist: 2x EKDR 5 - 5,0 4/1 - 10,0 Z - 12,5



Hook path: 10 m; hoist speed: 6/1 m/min; 9/1,5 m/min;
 or 0,5 - 12,5 m/min infinitely variable;
 cross-travel speed up to 30 m/min infinitely variable

Crane										Travelling hoist			Travel unit				
L _{KR}	b ₁ 1)	b ₂ 1)	b _{T1} 1)	b _{T2} 1)	H	X 1)	y 2)	GG	R _{max}	l _{an1}	l _{an2}	g	l _{an3} /l _{an4}	d	ekt	L _{ekt}	DPZ
4	270	270	195	895	10470	10570	9500	5676	5838	645	930	9580	3236	160	6000	6472	100
5	270	270	195	965	10470	10570	9500	5901	6252	645	930	9580	3486	160	6500	6972	100
6	270	270	195	1035	10470	10570	9500	6031	6572	645	930	9580	3486	160	6500	6972	100
7	280	280	195	1035	10570	10670	9500	6378	6867	645	930	9580	3519	200	6500	7037	100
8	280	280	195	1105	10570	10670	9500	6519	7062	645	930	9580	3519	200	6500	7037	100
9	280	280	195	1105	10670	10770	9500	6846	7211	645	930	9580	3769	200	7000	7537	100
10	280	280	195	1105	10670	10770	9500	7772	7518	645	930	9580	3769	200	7000	7537	100
11	280	280	195	1105	10770	10870	9500	8049	7677	645	930	9580	3769	200	7000	7537	100
12	280	280	195	1105	10772	10872	9500	8258	7800	645	930	9580	3769	200	7000	7537	100
13	280	280	195	1105	10870	10970	9500	8590	7953	645	930	9580	3769	200	7000	7537	100
14	280	280	195	1105	10872	10972	9500	8841	8072	645	930	9580	3769	200	7000	7537	100
15	280	280	195	1105	10876	10976	9500	9177	8055	645	930	9580	3769	200	7000	7537	100
16	280	280	195	1105	10972	11072	9500	9468	8130	765	1050	9580	4019	200	7500	8037	100
17	280	280	195	1105	10970	11070	9500	9871	8279	765	1050	9580	4019	200	7500	8037	100
18	280	280	195	1105	10976	11076	9500	10569	8509	765	1050	9580	4019	200	7500	8037	100
19	280	280	195	1105	10976	11076	9500	10798	8598	765	1050	9580	4019	200	7500	8037	100
20	280	280	195	1105	10976	11076	9500	11759	8897	765	1050	9455	4019	200	7500	8037	100
21	280	280	195	1105	11070	11170	9500	11562	8861	765	1050	9455	4019	200	7500	8037	100
22	280	280	195	1105	11072	11172	9500	12130	8996	765	1050	9455	4269	200	8000	8537	100
23	280	280	195	1105	11076	11176	9500	12883	9227	765	1050	9455	4269	200	8000	8537	100
24	280	280	195	1105	11080	11180	9500	13674	9466	765	1050	9455	4269	200	8000	8537	100
25	280	280	195	1105	11222	11322	9500	13283	9369	765	1050	9455	4269	200	8000	8537	100
26	280	280	195	895	11226	11326	9500	12391	8969	765	1050	9455	3769	200	7000	7537	100
27	280	280	195	895	11226	11326	9500	12678	9060	765	1050	9455	3769	200	7000	7537	100
28	280	280	195	895	11231	11331	9500	14393	9563	765	1050	9460	3769	200	7000	7537	100
29	280	280	195	895	11235	11335	9500	14393	9563	765	1050	9460	3769	200	7000	7537	100
30	280	280	195	895	11240	11340	9500	15494	9880	765	1050	9460	3769	200	7000	7537	100

1) Minimum dimension, includes 100 mm clearance
 2) Minimum dimension, includes 500 mm clearance

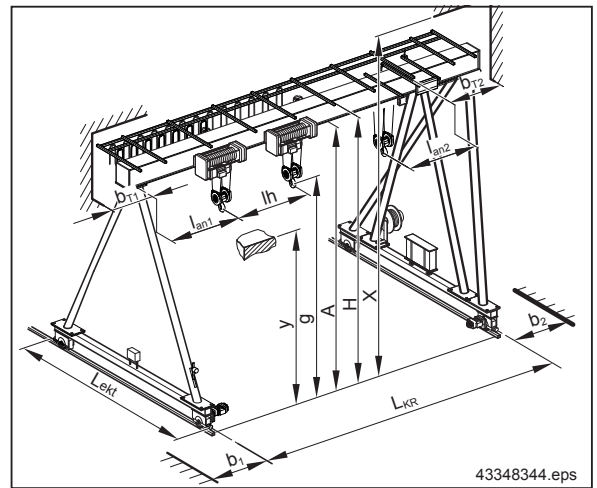
All dimensions in mm (L_{KR} in m).

Weights **max. R** and **G_e** are in kg.

All structural dimensions, approach dimensions and information on the crane runway dimensions are based on the standard design presented in this catalogue. Any deviations must be checked.

EVPE load capacity 2x 6,3 t

Overall height: A4 m
 Trolley: DFW-P ___ / ___
 Travelling hoist: 2x EKDR 10 - 6,3 4/1 - 10,0 Z - 12,5



Hook path: 10 m; hoist speed: 5/0,8 m/min;
 0,5 - 9 m/min or 0,5 - 12,5 m/min infinitely variable;
 cross-travel speed up to 30 m/min infinitely variable

Crane										Travelling hoist			Travel unit				
L _{KR}	b ₁ 1)	b ₂ 1)	b _{T1} 1)	b _{T2} 1)	H	X 1)	y 2)	GG	R _{max}	l _{an1}	l _{an2}	g	l _{an3} /l _{an4}	d	ekt	L _{ekt}	DPZ
4	270	270	195	895	4470	4570	3500	3994	5651	700	1005	3477	2236	160	4000	4472	100
5	270	270	195	895	4470	4570	3500	4199	6172	700	1005	3477	2486	160	4500	4972	100
6	270	270	195	895	4472	4572	3500	4629	6657	700	1005	3477	2486	160	4500	4972	100
7	270	270	195	895	4570	4670	3500	4629	6657	700	1005	3477	2486	160	4500	4972	100
8	280	280	195	895	4670	4770	3500	5127	7284	700	1005	3477	2519	200	4500	5037	100
9	280	280	195	895	4670	4770	3500	5271	7439	700	1005	3477	2519	200	4500	5037	100
10	280	280	195	895	4770	4870	3500	5534	7645	700	1005	3477	2519	200	4500	5037	100
11	280	280	195	895	4772	4872	3500	5741	7811	700	1005	3477	2519	200	4500	5037	100
12	280	280	195	895	4870	4970	3500	5963	8030	700	1005	3477	2269	200	4000	4537	100
13	280	280	195	895	4876	4976	3500	6438	8125	700	1005	3477	2519	200	4500	5037	100
14	280	280	195	895	4970	5070	3500	6545	8219	700	1005	3477	2519	200	4500	5037	100
15	280	280	195	895	4976	5076	3500	6898	8383	700	1005	3477	2269	200	4000	4537	100
16	280	280	195	895	4976	5076	3500	7554	8561	820	1125	3477	2269	200	4000	4537	100
17	280	280	195	895	4980	5080	3500	8074	8757	820	1125	3477	2269	200	4000	4537	100
18	280	280	195	895	4985	5085	3500	8698	8986	820	1125	3485	2269	200	4000	4537	100
19	280	280	195	895	4990	5090	3500	9388	9151	820	1125	3485	2269	200	4000	4537	100
20	280	280	195	895	5077	5177	3500	9462	9203	820	1125	3360	2269	200	4000	4537	100
21	280	280	195	895	5081	5181	3500	10182	9438	820	1125	3360	2269	200	4000	4537	100
22	280	280	195	895	5085	5185	3500	10945	9680	820	1125	3360	2269	200	4000	4537	100
23	280	280	195	895	5227	5327	3500	10630	9615	820	1125	3360	2269	200	4000	4537	100
24	280	280	195	895	5231	5331	3500	11524	9757	820	1125	3360	2519	200	4500	5037	100

1) Minimum dimension, includes 100 mm clearance
 2) Minimum dimension, includes 500 mm clearance
 All dimensions in mm (L_{KR} in m).
 Weights **max. R** and **G_e** are in kg.

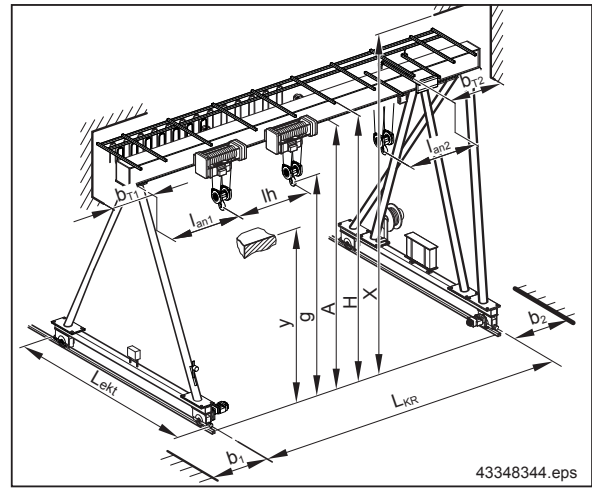
All structural dimensions, approach dimensions and information on the crane runway dimensions are based on the standard design presented in this catalogue. Any deviations must be checked.

EVPE load capacity 2x 6,3 t

Overall height: A6 m

Trolley: DFW-P ___ / ___

Travelling hoist: 2x EKDR 10 - 6,3 4/1 - 10,0 Z - 12,5



Hook path: 10 m; hoist speed: 5/0,8 m/min;
0,5 - 9 m/min or 0,5 - 12,5 m/min infinitely variable;
cross-travel speed up to 30 m/min infinitely variable

Crane										Travelling hoist			Travel unit				
L _{KR}	b ₁ 1)	b ₂ 1)	b _{T1} 1)	b _{T2} 1)	H	X 1)	y 2)	GG	R _{max}	l _{an1}	l _{an2}	g	l _{an3} /l _{an4}	d	ekt	L _{ekt}	DPZ
4	270	270	195	895	6470	6570	5500	4620	5914	700	1005	5477	3236	160	6000	6472	100
5	270	270	195	895	6470	6570	5500	4745	6532	700	1005	5477	3236	160	6000	6472	100
6	270	270	195	895	6472	6572	5500	4905	6969	700	1005	5477	3236	160	6000	6472	100
7	280	280	195	895	6570	6670	5500	5619	7406	700	1005	5477	3269	200	6000	6537	100
8	280	280	195	895	6670	6770	5500	5841	7679	700	1005	5477	3269	200	6000	6537	100
9	280	280	195	895	6670	6770	5500	5985	7882	700	1005	5477	3269	200	6000	6537	100
10	280	280	195	895	6770	6870	5500	6248	8016	700	1005	5477	3269	200	6000	6537	100
11	280	280	195	895	6772	6872	5500	6455	8183	700	1005	5477	3269	200	6000	6537	100
12	280	280	195	895	6870	6970	5500	6767	8362	700	1005	5477	3269	200	6000	6537	100
13	280	280	195	895	6876	6976	5500	7152	8473	700	1005	5477	3269	200	6000	6537	100
14	280	280	195	895	6970	7070	5500	7259	8566	700	1005	5477	3269	200	6000	6537	100
15	280	280	195	895	6976	7076	5500	7702	8692	700	1005	5477	3269	200	6000	6537	100
16	280	280	195	895	6976	7076	5500	8358	8932	820	1125	5477	3269	200	6000	6537	100
17	280	280	195	895	6980	7080	5500	8878	9045	820	1125	5477	3269	200	6000	6537	100
18	280	280	195	895	6985	7085	5500	9364	9224	820	1125	5485	3269	200	6000	6537	100
19	280	280	195	895	6990	7090	5500	10054	9455	820	1125	5485	3269	200	6000	6537	100
20	280	280	195	895	7077	7177	5500	10128	9507	820	1125	5360	3269	200	6000	6537	100
21	280	280	195	895	7081	7181	5500	10848	9740	820	1125	5360	3269	200	6000	6537	100
22	280	280	195	895	7085	7185	5500	11611	9890	820	1125	5360	3269	200	6000	6537	100
23	280	280	195	895	7227	7327	5500	11296	9826	820	1125	5360	3269	200	6000	6537	100
24	305	305	195	895	7231	7331	5500	12590	10192	820	1125	5360	3291	250	6000	6582	100

1) Minimum dimension, includes 100 mm clearance

2) Minimum dimension, includes 500 mm clearance

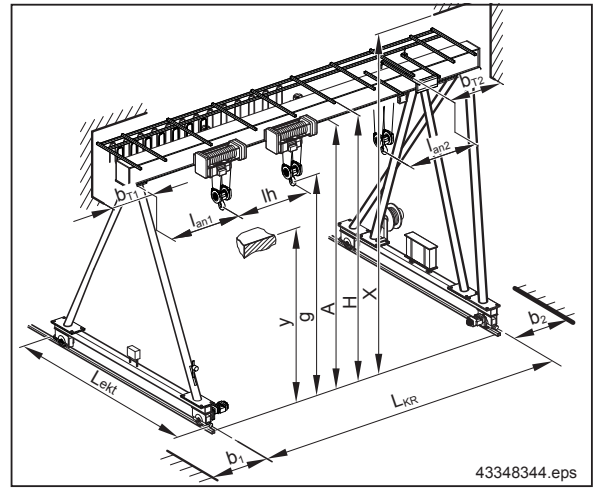
All dimensions in mm (L_{KR} in m).

Weights **max. R** and **G_e** are in kg.

All structural dimensions, approach dimensions and information on the crane runway dimensions are based on the standard design presented in this catalogue. Any deviations must be checked.

EVPE load capacity 2x 6,3 t

Overall height: A8 m
 Trolley: DFW-P ___ / ___
 Travelling hoist: 2x EKDR 10 - 6,3 4/1 - 10,0 Z - 12,5



Hook path: 10 m; hoist speed: 5/0,8 m/min;
 0,5 - 9 m/min or 0,5 - 12,5 m/min infinitely variable;
 cross-travel speed up to 30 m/min infinitely variable

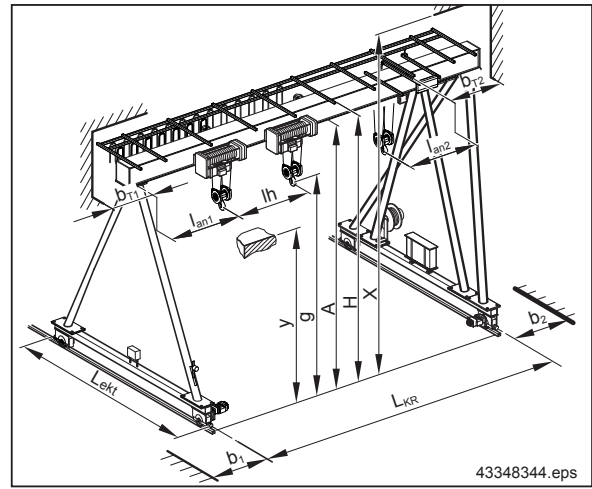
Crane										Travelling hoist			Travel unit				
L _{KR}	b ₁ 1)	b ₂ 1)	b _{T1} 1)	b _{T2} 1)	H	X 1)	y 2)	GG	R _{max}	l _{an1}	l _{an2}	g	l _{an3} /l _{an4}	d	ekt	L _{ekt}	DPZ
4	270	270	195	895	8470	8570	7500	5490	6482	700	1005	7477	3236	160	6000	6472	100
5	280	280	195	895	8470	8570	7500	5829	7078	700	1005	7477	3519	200	6500	7037	100
6	280	280	195	895	8472	8572	7500	5989	7515	700	1005	7477	3519	200	6500	7037	100
7	280	280	195	895	8570	8670	7500	6159	7748	700	1005	7477	3519	200	6500	7037	100
8	280	280	195	895	8670	8770	7500	6551	7953	700	1005	7477	4019	200	7500	8037	100
9	280	280	195	895	8670	8770	7500	6695	8157	700	1005	7477	4019	200	7500	8037	100
10	280	280	195	895	8770	8870	7500	6958	8361	700	1005	7477	4019	200	7500	8037	100
11	280	280	195	895	8772	8872	7500	7165	8442	700	1005	7477	4019	200	7500	8037	100
12	280	280	195	895	8870	8970	7500	7477	8620	700	1005	7477	4019	200	7500	8037	100
13	280	280	195	895	8876	8976	7500	7862	8806	700	1005	7477	4019	200	7500	8037	100
14	280	280	195	895	8970	9070	7500	7969	8899	700	1005	7477	4019	200	7500	8037	100
15	280	280	195	895	8976	9076	7500	8412	9025	700	1005	7477	4019	200	7500	8037	100
16	280	280	195	895	8976	9076	7500	9068	9172	820	1125	7477	4019	200	7500	8037	100
17	280	280	195	895	8980	9080	7500	9588	9366	820	1125	7477	4019	200	7500	8037	100
18	280	280	195	895	8985	9085	7500	10074	9545	820	1125	7485	4019	200	7500	8037	100
19	280	280	195	895	8990	9090	7500	10764	9777	820	1125	7485	4019	200	7500	8037	100
20	280	280	195	895	9077	9177	7500	10838	9828	820	1125	7360	4019	200	7500	8037	100
21	280	280	195	895	9081	9181	7500	11558	9958	820	1125	7360	4019	200	7500	8037	100
22	305	305	195	895	9085	9185	7500	12869	10334	820	1125	7360	4041	250	7500	8082	100
23	305	305	195	895	9227	9327	7500	12554	10268	820	1125	7360	4041	250	7500	8082	100
24	305	305	195	895	9231	9331	7500	13988	10732	820	1125	7360	4041	250	7500	8082	100

1) Minimum dimension, includes 100 mm clearance
 2) Minimum dimension, includes 500 mm clearance
 All dimensions in mm (L_{Kr} in m).
 Weights **max. R** and **G_e** are in kg.

All structural dimensions, approach dimensions and information on the crane runway dimensions are based on the standard design presented in this catalogue. Any deviations must be checked.

EVPE load capacity 2x 6,3 t

Overall height: A10 m
 Trolley: DFW-P ___ / ___
 Travelling hoist: 2x EKDR 10 - 6,3 4/1 - 10,0 Z - 12,5



Hook path: 10 m; hoist speed: 5/0,8 m/min;
 0,5 - 9 m/min or 0,5 - 12,5 m/min infinitely variable;
 cross-travel speed up to 30 m/min infinitely variable

Crane										Travelling hoist			Travel unit				
L _{KR}	b ₁ 1)	b ₂ 1)	b _{T1} 1)	b _{T2} 1)	H	X 1)	y 2)	GG	R _{max}	l _{an1}	l _{an2}	g	l _{an3} /l _{an4}	d	ekt	L _{ekt}	DPZ
4	280	280	195	965	10470	10570	9500	7153	7009	700	1005	9477	3519	200	6500	7037	100
5	280	280	195	965	10470	10570	9500	7377	7581	700	1005	9477	3769	200	7000	7537	100
6	280	280	195	965	10472	10572	9500	7538	8018	700	1005	9477	3769	200	7000	7537	100
7	280	280	195	965	10570	10670	9500	7709	8349	700	1005	9477	3769	200	7000	7537	100
8	280	280	195	1035	10670	10770	9500	8043	8591	700	1005	9477	4019	200	7500	8037	100
9	280	280	195	1035	10670	10770	9500	8187	8795	700	1005	9477	4019	200	7500	8037	100
10	280	280	195	1035	10770	10870	9500	8452	9002	700	1005	9477	4019	200	7500	8037	100
11	280	280	195	1035	10772	10872	9500	8658	9169	700	1005	9477	4019	200	7500	8037	100
12	280	280	195	1105	10870	10970	9500	9087	9217	700	1005	9477	4269	200	8000	8537	100
13	280	280	195	1105	10876	10976	9500	9087	9217	700	1005	9477	4269	200	8000	8537	100
14	280	280	195	1105	10970	11070	9500	9581	9495	700	1005	9477	4269	200	8000	8537	100
15	280	280	195	1105	10976	11076	9500	10026	9624	700	1005	9477	4269	200	8000	8537	100
16	280	280	195	1175	10976	11076	9500	10704	9876	820	1125	9477	4269	200	8000	8537	100
17	305	305	195	1245	10980	11080	9500	11803	10101	820	1125	9477	4291	250	8000	8582	100
18	305	305	195	1245	10985	11085	9500	12294	10282	820	1125	9485	4291	250	8000	8582	100
19	305	305	195	1315	10990	11090	9500	13011	10528	820	1125	9485	4291	250	8000	8582	100
20	305	305	195	1315	11077	11177	9500	13080	10577	820	1125	9360	4291	250	8000	8582	100
21	305	305	195	1315	11081	11181	9500	13932	10803	820	1125	9360	4541	250	8500	9082	100
22	305	305	195	1385	11085	11185	9500	14724	11060	820	1125	9360	4541	250	8500	9082	100
23	305	305	195	1385	11227	11327	9500	14396	10986	820	1125	9360	4541	250	8500	9082	100
24	305	305	195	1455	11231	11331	9500	15226	11250	820	1125	9360	4541	250	8500	9082	100

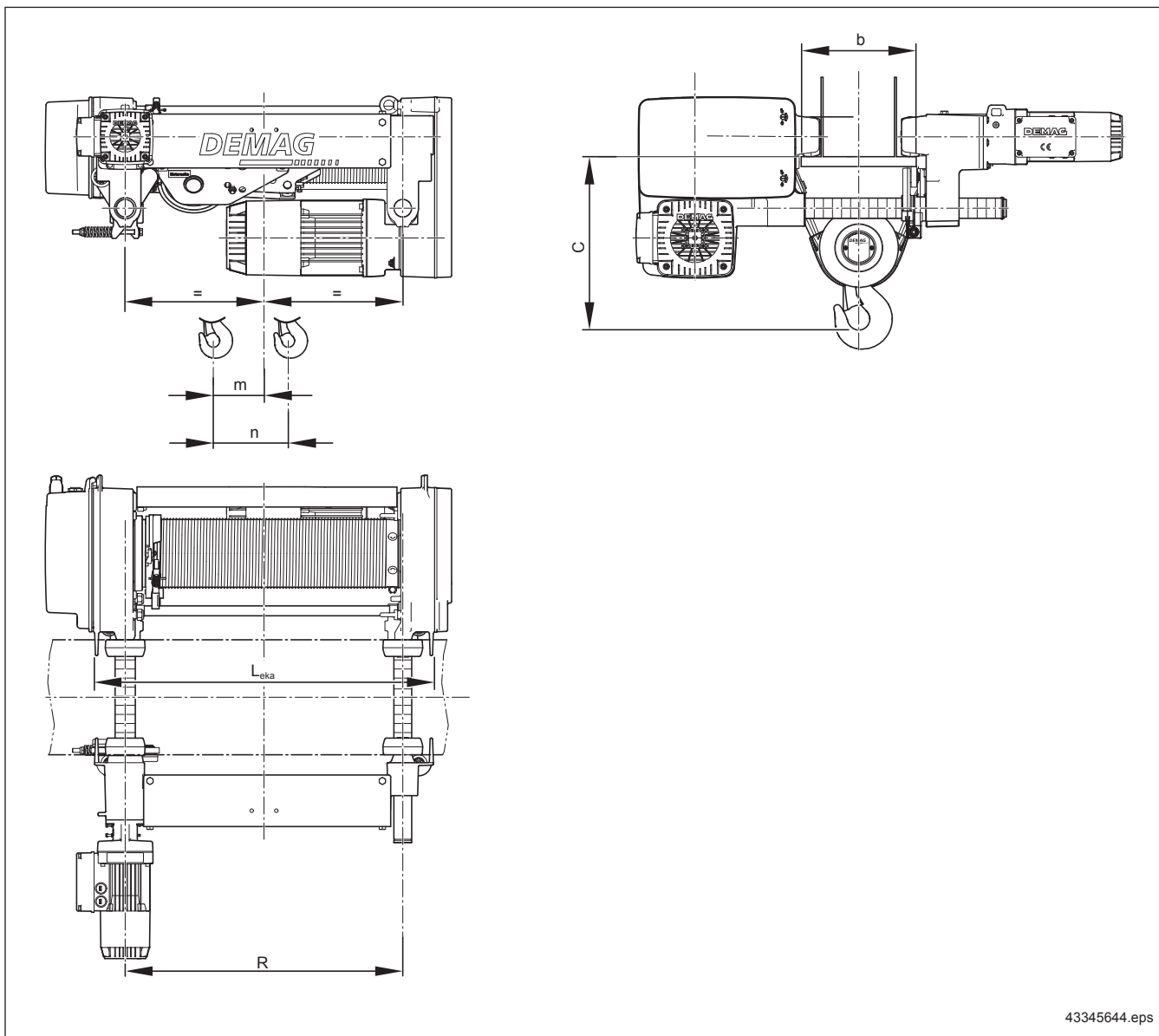
1) Minimum dimension, includes 100 mm clearance
 2) Minimum dimension, includes 500 mm clearance

All dimensions in mm (L_{KR} in m).

Weights **max. R** and **G_e** are in kg.

All structural dimensions, approach dimensions and information on the crane runway dimensions are based on the standard design presented in this catalogue. Any deviations must be checked.

Single rail travelling hoist EKDR 3



43345644.eps

Reev- ing	Dimensions [mm]					Weight [kg]		Speed [m/min]				
	R	L _{eka}	n	m	C 1)	G _{ka} 2)		V _{ka}	V _{lifting} 3)			
2/1	700	854	283	239	530	600	351	376	5 - 30	12/2	18/3	1 - 25
4/1	700	854	142	180	390	465	375	400	5 - 30	6/1	9/1,5	0,5 - 12,5

© Demag Cranes & Components GmbH

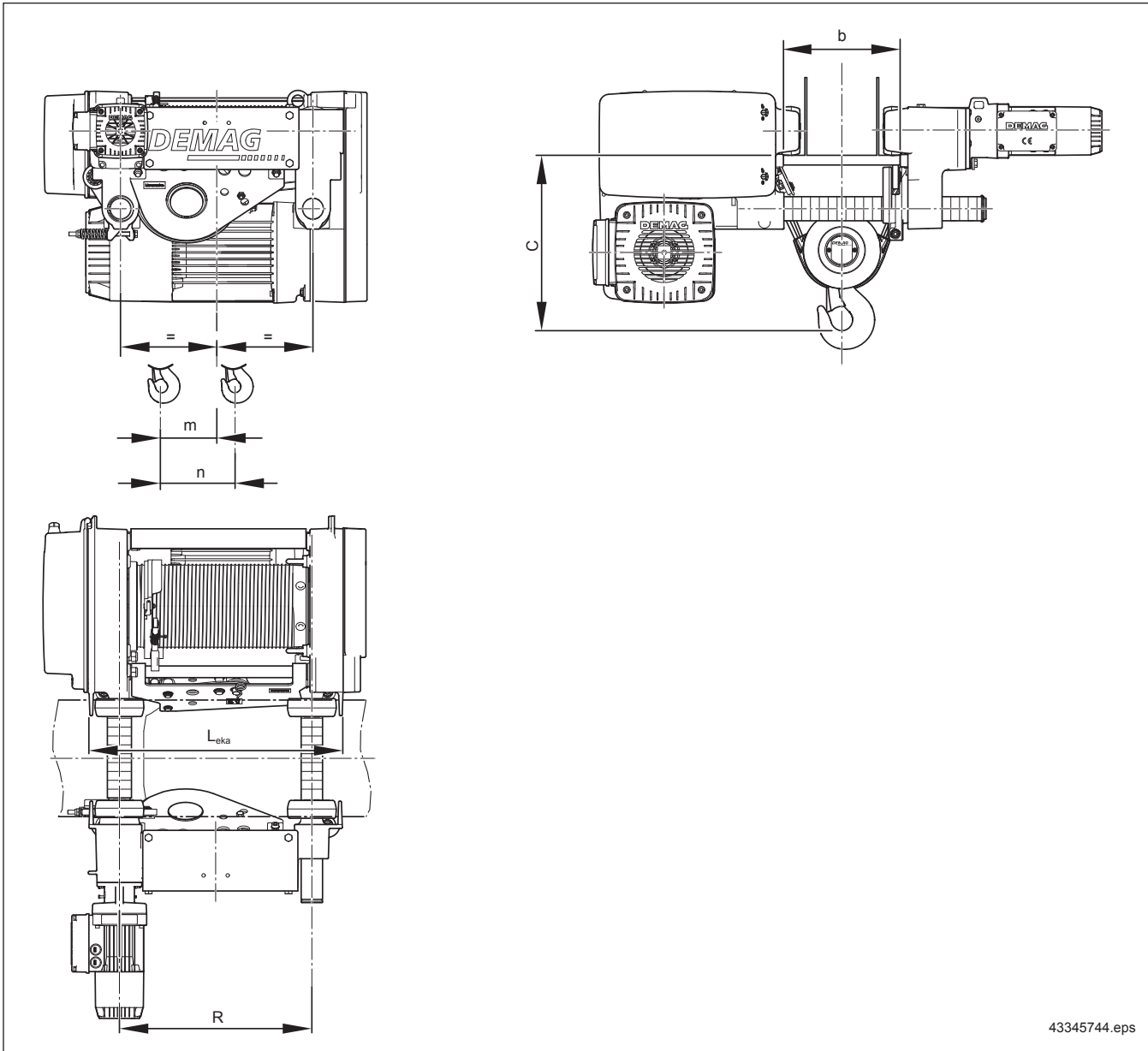
20373744.indd/0808112

1) with a flange width b = 300/400 mm

2) with pole-changing motor/motor with frequency converter

3) depending on the motor selection

Single rail travelling hoist EKDR 5



43345744.eps

Reev- ing	Dimensions [mm]					Weight [kg]		Speed [m/min]				
	R	L _{eka}	n	m	C 1)		G _{ka} 2)		V _{ka}	V _{lifting} 3)		
2/1	730	886	293	250	540	615	365/418	433	5 - 30	12/2 (9/1,5)	18/3 (12/2)	1 - 25 (0,8 - 16)
4/1	730	886	147	169	440	565	390/443	467	5 - 30	6/1 (4,5/0,8)	9/1,5 (6/1)	0,5 - 12,5 (0,4 - 8)
4/2	1025	1181	-	-	580	680	420/473	497	5 - 30	12/2 (9/1,5)	18/3 (12/2)	1 - 25 (0,8 - 16)

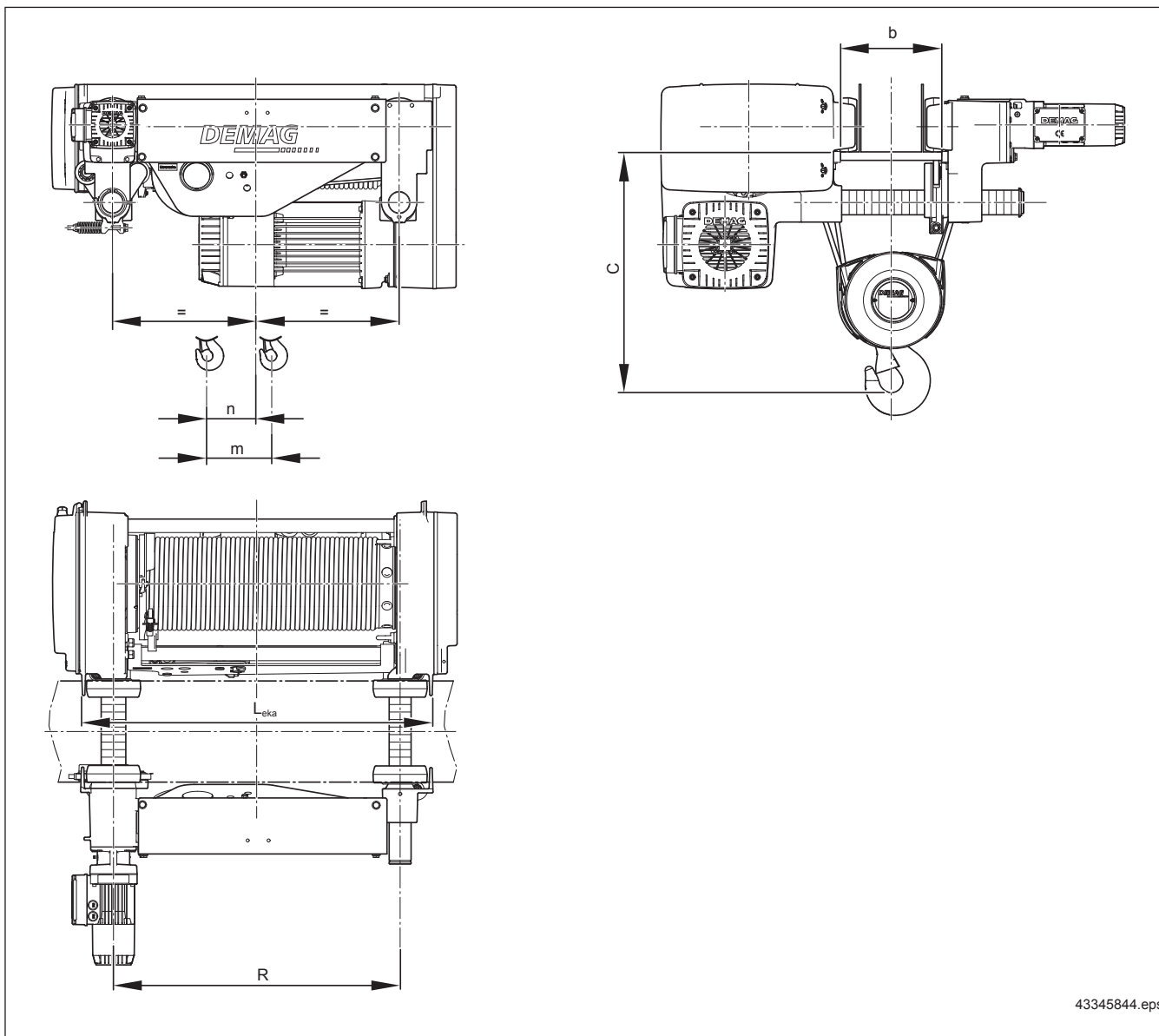
© Demag Cranes & Components GmbH

1) with a flange width b = 300/400 mm

2) with pole-changing motor/motor with frequency converter

3) depending on the motor selection

Single rail travelling hoist EKDR 10



43345844.eps

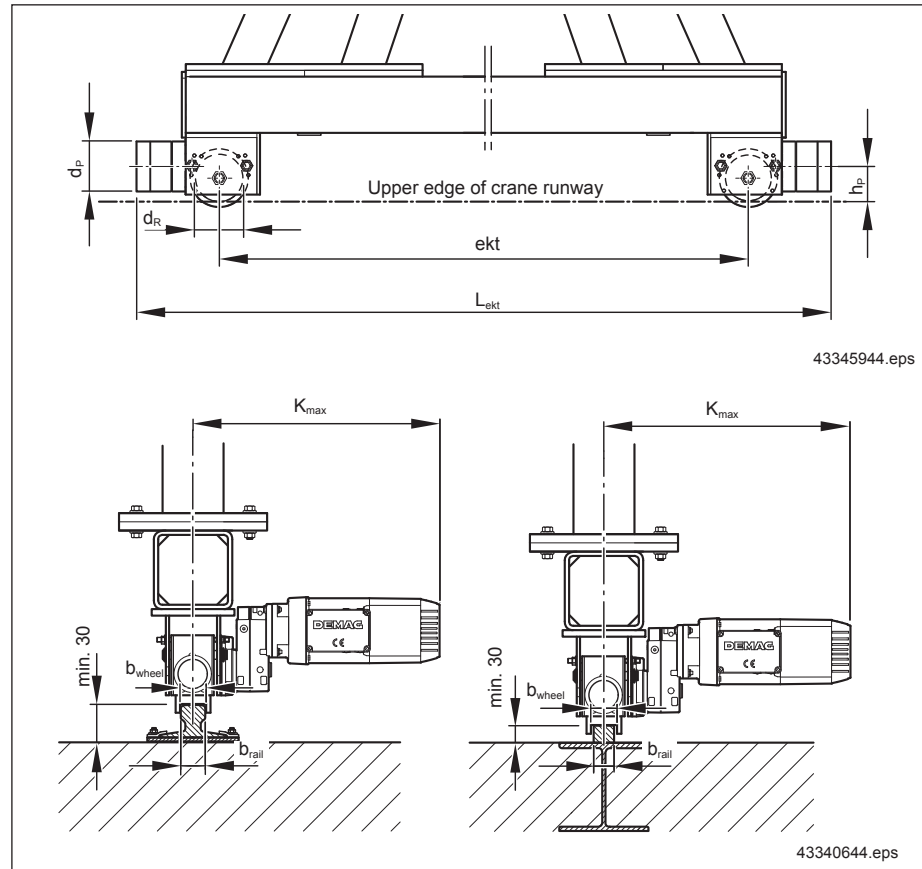
Reev- ing	Dimensions [mm]					Weight [kg]		Speed [m/min]				
	R	L _{eka}	n	m	C 1)		G _{ka} 2)		V _{ka}	V _{lifting} 3)		
2/1	850	1046	293	250	680	805	624	656	5 - 30	10/1,7 (8/1,4)	1 - 18 (0,4 - 9)	1 - 25 (1 - 18)
4/1	850	1046	147	169	540	665	669	701	5 - 30	5/0,8 (4/0,7)	0,5 - 9 (0,2 - 4,5)	0,5 - 12,5 (0,5 - 9)
4/2	850	1046	-	-	565	665	624	656	5 - 30	10/1,7 (8/1,4)	1 - 18 (0,4 - 9)	1 - 25 (1 - 18)

© Demag Cranes & Components GmbH

20373744.indd/0808112

1) with a flange width b = 300/400 mm
 2) with pole-changing motor/motor with frequency converter
 3) depending on the motor selection

Crane trolleys DFW-P-Z



Travel unit DFW-P-Z							Buffer			
Type	d _R	ekt	DPZ 100 DPZ 130		b _{wheel}	b _{rail}	K _{max} 1)	DPZ 100 DPZ 130		h _P
			L _{ekt}	L _{ekt}				d _P	d _P	
E0	3000	125	3417	3457	60	50	630	100	130	100
	3500	125	3917	3957	60	50	630	100	130	100
	4000	125	4417	4457	60	50	630	100	130	100
	4500	125	4917	4957	60	50	630	100	130	100
	5000	125	5417	5457	60	50	630	100	130	100
	5500	125	5917	5957	60	50	630	100	130	100
	6000	125	6417	6457	60	50	630	100	130	100
	6500	125	6917	6957	60	50	630	100	130	100
E1	3000	160	3472	3512	65	50	650	100	130	100
	3500	160	3972	4012	65	50	650	100	130	100
	4000	160	4472	4512	65	50	650	100	130	100
	4500	160	4972	5012	65	50	650	100	130	100
	5000	160	5472	5512	65	50	650	100	130	100
	5500	160	5972	6012	65	50	650	100	130	100
	6000	160	6472	6512	65	50	650	100	130	100
	6500	160	6972	7012	65	50	650	100	130	100

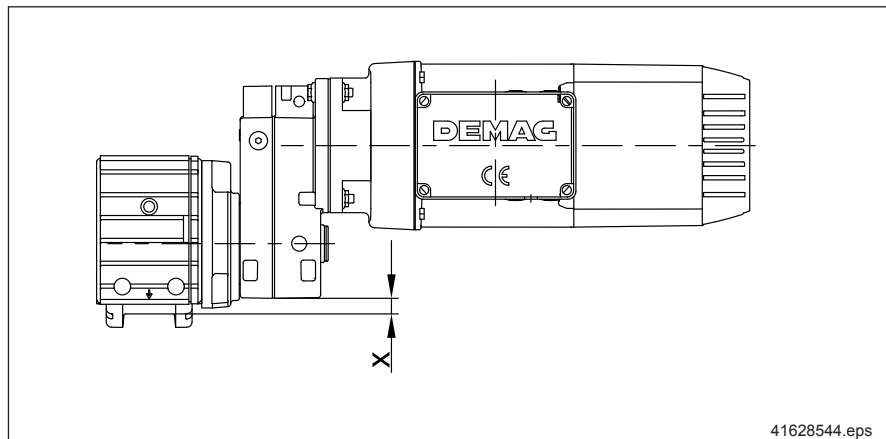
© Demag Cranes & Components GmbH

20373744.indd/0808112

Crane trolleys DFW-P-Z

Travel unit DFW-P-Z								Buffer		
Type	d _R	ekt	DPZ 100		DPZ 130		K _{max 1)}	DPZ 100	DPZ 130	h _P
			L _{ekt}		b _{wheel}	b _{rail}		d _P		
E2	3000	200	3537	3577	65	50	670	100	130	100
	3500	200	4037	4077	65	50	670	100	130	100
	4000	200	4537	4577	65	50	670	100	130	100
	4500	200	5037	5077	65	50	670	100	130	100
	5000	200	5537	5577	65	50	670	100	130	100
	5500	200	6037	6077	65	50	670	100	130	100
	6000	200	6537	6577	65	50	670	100	130	100
	6500	200	7037	7077	65	50	670	100	130	100
	7000	200	7537	7577	65	50	670	100	130	100
	7500	200	8037	8077	65	50	670	100	130	100
E3	8000	200	8537	8577	65	50	670	100	130	100
	5000	200	5537	5577	65	50	670	100	130	100
	5500	200	6037	6077	65	50	670	100	130	100
	6000	200	6537	6577	65	50	670	100	130	100
E4	6500	200	7037	7077	65	50	670	100	130	100
	3500	250	4082	4122	70	55	660	100	130	100
	4000	250	4582	4622	70	55	660	100	130	100
	4500	250	5082	5122	70	55	660	100	130	100
	6000	250	6582	6622	70	55	660	100	130	100
	7500	250	8082	8122	70	55	660	100	130	100
	8000	250	8582	8622	70	55	660	100	130	100
E5	8500	250	9082	9122	70	55	660	100	130	100
	4000	250	4582	4622	75	60	660	100	130	100
	5000	250	5582	5622	75	60	660	100	130	100
	8000	250	8582	8622	75	60	660	100	130	100

Gearbox clearances



Wheel block	A gearbox	Clearance
DRS		x
125	20	+ 5
	30	- 13
160	30	+ 5
	40	- 10
200	30	+ 15
	40	+ 10
	50	- 15
250	40	+ 20
	50	+ 10
	60	- 15

The clearance is measured between the crane runway rail upper edge and the lower gearbox projecting edge.

Crane trolley types

Type	Marking	Travel wheel Ø	Number of travel wheels	Supporting tube Ø
E0	DFW-P-Z 125	125	2	273
E1	DFW-P-Z 160	160	2	273
E2	DFW-P-Z 200	200	2	219
E3	DFW-P-Z 200	200	2	323
E4	DFW-P-Z 250	250	2	219
E5	DFW-P-Z 250	250	2	355

Crane trolley assignment

Headroom A4 m

Number of traveling hoists	Reeving	Load capacity [t]	Long-travel unit (Identification see page 108-110)																											
			4	5	6	7	8	9	10	11	12	13	14	15	16	17	18	19	20	21	22	23	24	25	26	27	28	29	30	
2	4/1	6,3																												
		5																												
		4																												
		3,2																												
		2,5																												
2/1	1,6																													
1	4/1	8																												
		6,3																												
	2/1	5																												
		4																												
	4/2	3,2																												
	2/1	2,5																												
	4/1	1,6																												

Headroom A6 m

Number of traveling hoists	Reeving	Load capacity [t]	Long-travel unit (Identification see page 108-110)																												
			4	5	6	7	8	9	10	11	12	13	14	15	16	17	18	19	20	21	22	23	24	25	26	27	28	29	30		
2	4/1	6,3																													
		5																													
		4																													
		3,2																													
		2,5																													
2/1	1,6																														
1	4/1	8																													
		6,3																													
	2/1	5																													
		4																													
	4/2	3,2																													
	2/1	2,5																													
	4/1	1,6																													

Crane trolley assignment

Headroom A8 m

Number of traveling hoists	Reeving	Load capacity [t]	Long-travel unit (Identification see page 108-110)																											
2	4/1	6,3	E2																	E4				-						
		5	E1																	E2				E5						
		4	E0																	E1				E2						
		3,2	E0																	E1				E1						
		2,5	E0																	E0				E1						
2/1	1,6																													
1	4/1	8	E1																	E2				E2						
		6,3	E0																	E1				E1						
	2/1	5	E0																	E1				E1						
			E0																	E1				E1						
	4/1	12,5	E2																	E5				-						
		10	E1																	E2				E4						
		5	E1																	E1				E1						
		4	E0																	E1				E1						
	4/2	3,2	E0																	E1				E1						
	2/1																													
	4/2	2,5	E0																	E1				E1						
	2/1																													
	4/1	1,6	E0																	E1				E1						
	2/1																													
	LKR [m]			4	5	6	7	8	9	10	11	12	13	14	15	16	17	18	19	20	21	22	23	24	25	26	27	28	29	30

Headroom A10 m

Number of traveling hoists	Reeving	Load capacity [t]	Long-travel unit (Identification see page 108-110)																											
2	4/1	6,3	E2																	E4				-						
		5	E1																	E2				E2						
		4	E0																	E1				E1						
		3,2	E0																	E1				E1						
		2,5	E0																	E0				E1						
2/1	1,6																													
1	4/1	8	E1																	E2				E2						
		6,3	E0																	E1				E1						
	2/1	5	E1																	E1				E1						
			E0																	E1				E1						
	4/1	12,5	E3																	E5				-						
		10	E1																	E3				E5						
		5	E1																	E1				E1						
		4	E0																	E1				E1						
	4/2	3,2	E0																	E1				E1						
	2/1																													
	4/2	2,5	E0																	E1				E1						
	2/1																													
	4/1	1,6	E0																	E1				E1						
	2/1																													
	LKR [m]			4	5	6	7	8	9	10	11	12	13	14	15	16	17	18	19	20	21	22	23	24	25	26	27	28	29	30

Wheel base crane trolley assignment

Headroom A4 m

Number of traveling hoists	Reeving	Load capacity [t]	Wheel base x 100 [mm]																														
			Example: Value from table = 35 -> Wheel base 35 x 100 = ekt 3500 mm																														
2	4/1	6,3	40																							45		45		-			
		5	45																							45		-					
		4	45																							45		-					
		3,2	40																							45		-					
		2,5	40																							45		-					
2/1	1,6																																
1	4/1	8	45																							45		-					
		6,3	40																							35		30		35		30	
	4/2	6,3	45																							40		35		30		40	
		5	40																							35		30		40			
	2/1	5	40																							35		30		40			
		12,5	35																							35		40		30		40	
	4/1	10	40																							40		35		30		40	
		5	40																							35		30		40			
	4/2	5	45																							40		35		30		40	
		3,2	40																							35		30		40			
	4/1	3,2	35																							40		35		50			
		4,2	45																							40		35		50			
	2/1	2,5	40																							40		50					
		4,1	35																							40		50					
	2/1	4,1	35																							40		50					
1,6		40																							35		50						
LKR [m]			4	5	6	7	8	9	10	11	12	13	14	15	16	17	18	19	20	21	22	23	24	25	26	27	28	29	30				

Headroom A6 m

Number of traveling hoists	Reeving	Load capacity [t]	Wheel base x 100 [mm]																													
			Example: Value from table = 45 -> Wheel base 45 x 100 = ekt 4500 mm																													
2	4/1	6,3	60																							-						
		5	50																							-						
		4	55																							-						
		3,2	50																							-						
		2,5	50																							-						
2/1	1,6																															
1	4/1	8	55																							45		-		40		
		6,3	45																							45		40		45		
	4/2	6,3	50																							55		45		40		45
		5	55																							50		45		40		
	2/1	5	50																							50		45		40		
		12,5	45																							50		45		40		-
	4/1	10	45																							40		40		40		35
		5	45																							40		45		40		45
	4/2	5	50																							50		45		40		40
		3,2	45																							45		40		45		40
	2/1	3,2	45																							45		40		45		40
		4,2	50																							50		45		40		40
	2/1	2,5	50																							50		45		40		40
		4,1	45																							45		40		45		40
	2/1	4,1	45																							45		40		45		40
1,6		45																							45		40		45		40	
LKR [m]			4	5	6	7	8	9	10	11	12	13	14	15	16	17	18	19	20	21	22	23	24	25	26	27	28	29	30			

Wheel base crane trolley assignment

Headroom A8 m

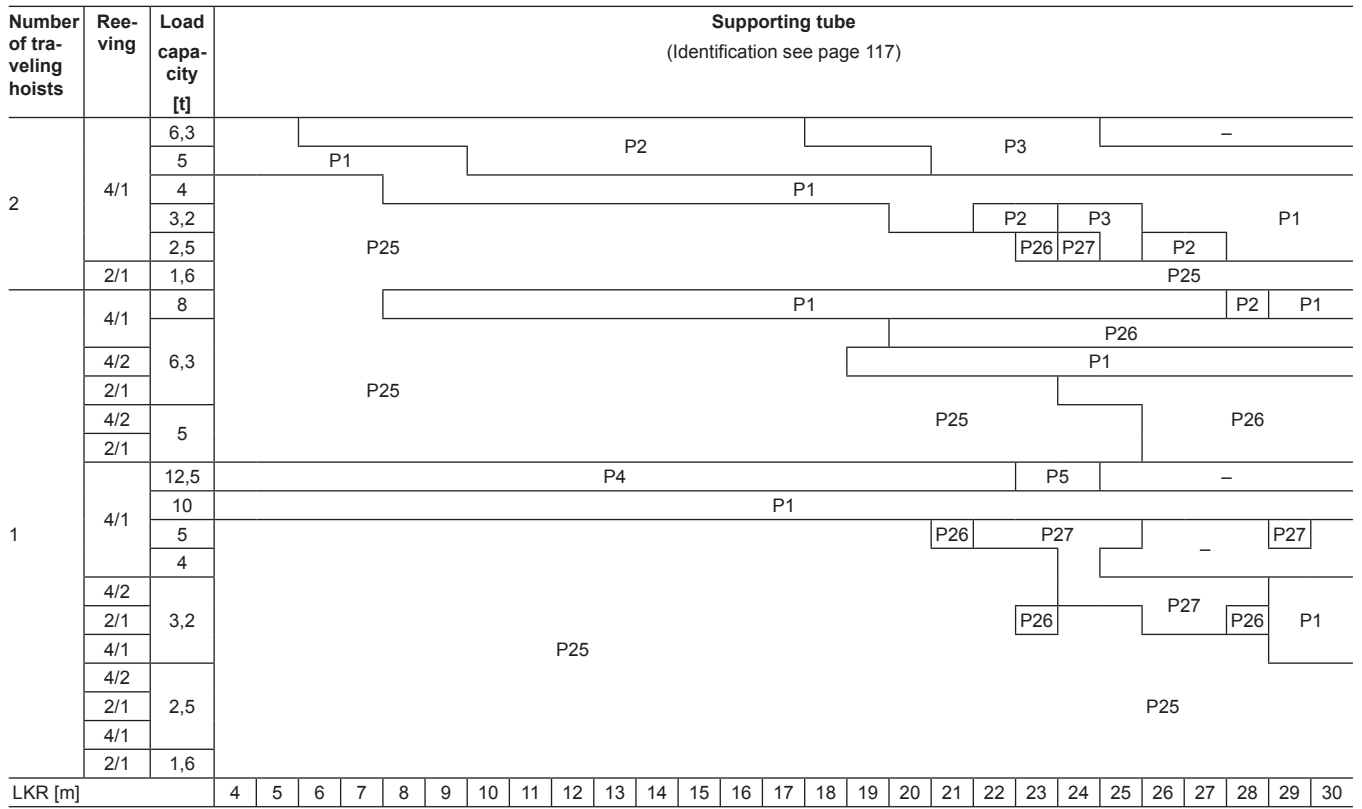
Number of traveling hoists	Reeving	Load capacity [t]	Wheel base x 100 [mm]																															
			Example: Value from table = 55 -> Wheel base 55 x 100 = ekt 5500 mm																															
2	4/1	6,3	65			75															-													
		5	60										65										70		80									
		4	60										65										70		80									
		3,2	55										60										70		80									
		2,5	55										60										70		80									
1	2/1	1,6	60										60										70		80									
		4/1	8	60			55			60			60			50			45			40												
		4/2	6,3	60			55			60			55			60			50			45			40									
	4/1	12,5	60			55			60			55			60			50			45			40										
		10	60			55			60			55			60			50			45			40										
		5	60			55			60			55			60			50			45			40										
	4/2	6,3	60			55			60			55			60			50			45			40										
		5	60			55			60			55			60			50			45			40										
		3,2	60			55			60			55			60			50			45			40										
	4/1	8	60			55			60			55			60			50			45			40										
		10	60			55			60			55			60			50			45			40										
		5	60			55			60			55			60			50			45			40										
		4	60			55			60			55			60			50			45			40										
		3,2	60			55			60			55			60			50			45			40										
		2,5	60			55			60			55			60			50			45			40										
2/1	3,2	60			55			60			55			60			50			45			40											
	5	60			55			60			55			60			50			45			40											
	1,6	60			55			60			55			60			50			45			40											
	2,5	60			55			60			55			60			50			45			40											
	1,6	60			55			60			55			60			50			45			40											
	LKR [m]		4	5	6	7	8	9	10	11	12	13	14	15	16	17	18	19	20	21	22	23	24	25	26	27	28	29	30					

Headroom A10 m

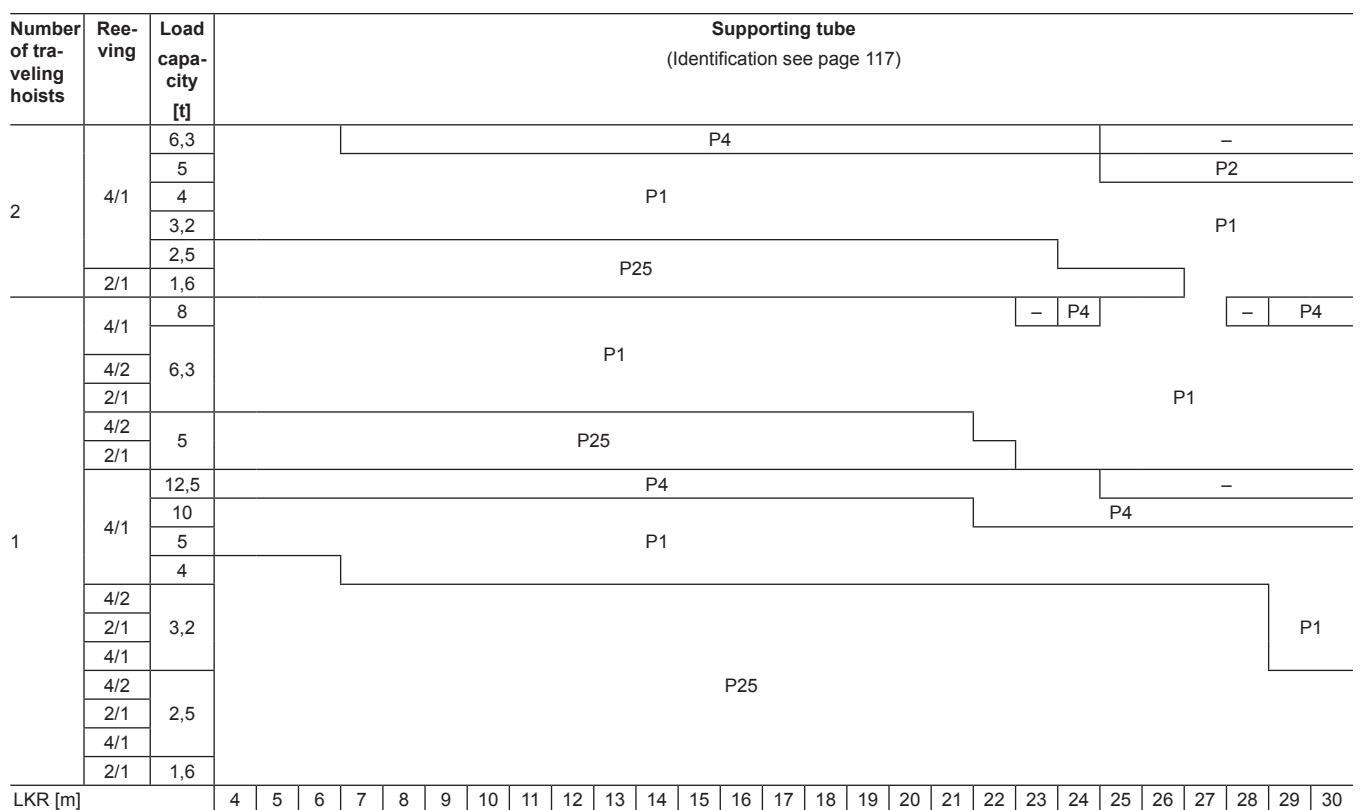
Number of traveling hoists	Reeving	Load capacity [t]	Wheel base x 100 [mm]																											
			Example: Value from table = 65 -> Wheel base 65 x 100 = ekt 6500 mm																											
2	4/1	6,3	65			70			75			80						85			-									
		5	65			70			70						75			80												
		4	65			70			70						75			80												
		3,2	60			60			65						65			70						75						
		2,5	60			60			60						65			60						65						
1	2/1	1,6	60			65			65						60			60						65						
		4/1	8	65			65			60						60			55						50					
		4/2	6,3	65			60			65						60			60						55					
	4/1	12,5	60			55			55						55			50						-						
		10	60			55			65						65			55						50						
		5	60			55			65						65			55						50						
	4/2	6,3	65			60			65						60			60						55						
		5	65			60			65						60			60						55						
		3,2	60			55			60						55			60						55						
	2/1	3,2	60			55			60						55			60						55						
		5	60			55			60						55			60						55						
		1,6	60			55			60						55			60						55						
		2,5	60			55			60						55			60						55						
		1,6	60			55			60						55			60						55						
		LKR [m]		4	5	6	7	8	9	10	11	12	13	14	15	16	17	18	19	20	21	22	23	24	25	26	27	28	29	30

Assignment of the supporting tubes

Headroom A4 m



Headroom A6 m



Assignment of the supporting tubes

Headroom A8 m

Number of traveling hoists	Reeving	Load capacity [t]	Supporting tube (Identification see page 117)																												
2	4/1	6,3																						P5	-						
		5															P4			P5	P6										
		4	P1																							P4					
		3,2																													
		2,5																													
2/1	1,6																														
1	4/1	8																		P4											
	4/2	6,3															P1														
	2/1		P1											P4											P4						
	4/2	5																		P1											
	2/1																														
	4/1	12,5																		P4											
		10																		P7	-										
		5																		P4											
		4																													
	4/2	3,2																													
	2/1																														
	4/1																			P1											
	4/2	2,5																		P1											
	2/1																														
	4/1																														
2/1	1,6																														
LKR [m]			4	5	6	7	8	9	10	11	12	13	14	15	16	17	18	19	20	21	22	23	24	25	26	27	28	29	30		

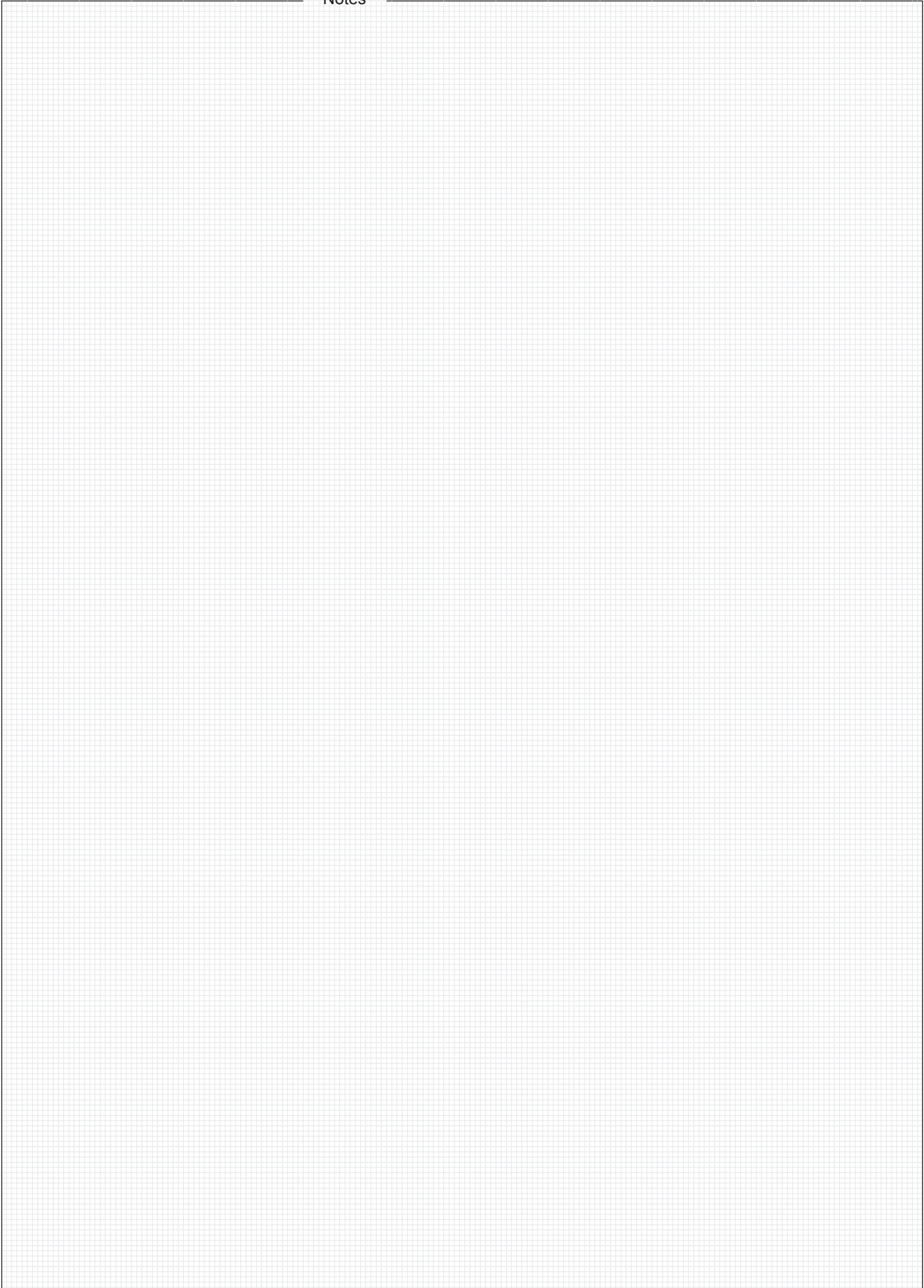
Headroom A10 m

Number of traveling hoists	Reeving	Load capacity [t]	Supporting tube (Identification see page 117)																											
2	4/1	6,3																		P5										
		5															P5													
		4																												
		3,2																												
		2,5																												
2/1	1,6																													
1	4/1	8																												
	4/2	6,3																												
	2/1																													
	4/2	5																												
	2/1																													
	4/1	12,5																		P7										
		10																												
		5																												
		4																												
	4/2	3,2																												
	2/1																													
	4/1																			P4										
	4/2	2,5																												
	2/1																													
	4/1																													
2/1	1,6																													
LKR [m]			4	5	6	7	8	9	10	11	12	13	14	15	16	17	18	19	20	21	22	23	24	25	26	27	28	29	30	

Types of supporting tubes

Type	Supporting tube Ø [mm]	Wall thickness [mm]	Inside Ø [mm]	Spec. weight [kg/m]
P1	168,3	6	156,3	24,02
P2		8	152,3	31,63
P3		9,5	149,3	37,2
P4	219,1	6	207,1	31,53
P5		8	203,1	41,65
P6		9,5	200,1	49,11
P7	273	6	261	39,51
P25	139,7	5	129,7	16,61
P26		6	127,7	19,78
P27		8	123,7	25,98

Notes



Notes



The current addresses of the sales offices in Germany and the subsidiaries and agencies worldwide can be found on the Demag Cranes & Components homepage at www.demagcranes.com/Contact

**Demag Cranes & Components GmbH
Krane**

P.O.Box 67 · 58286 Wetter (Germany)

Telephone +49 (0)2335 92-7919

Telefax +49 (0)2335 92-2339

E-Mail standardcranes@demagcranes.com

www.demagcranes.com