

Load capacity [kg]		Rope mechanism group acc. to FEM					
		M3 1Bm	M4 1Am	M5 2m	M6 3m	M7 4m	M8 5m
5.000	Hook no.	4	4	4	4	5	6
	Material	P	P	P	P	P	P
	Rope-Ø	10	10	10	10	11	12
	d1	225	225	225	225	280	315
	d2	260	260	260	260	315	355
	d3	40	40	40	40	40	40
	e2 _{min}	162	162	162	162	178	204
	v	175	175	175	175	195	240
	b1	90	90	90	90	100	125
	s	12	12	12	12	15	15
	b2	38	38	38	38	38	39
	h1	286	286	286	286	315	375
	h3 _{max}	495	495	495	495	560	650
Weight [kg]	S'hook	100	100	100	100	108	118
	D'hook	102	102	102	102	110	120

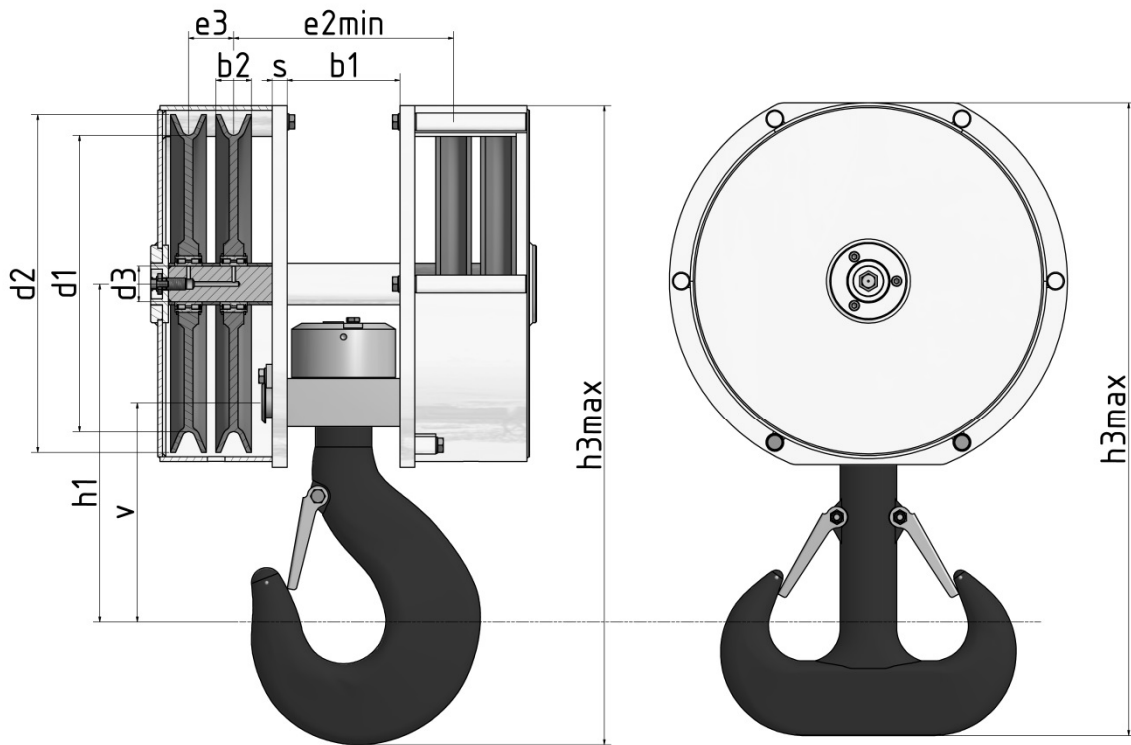
Load capacity [kg]			Rope mechanism group acc. to FEM						
			M3	M4	M5	M6	M7	M8	
			1Bm	1Am	2m	3m	4m	5m	
6.300	Hook no.		5	5	5	5	6	8	
	Material		P	P	P	P	P	P	
	Rope-Ø		10	10	10	10	12	14	
	d1		225	225	225	280	315	355	
	d2		260	260	260	315	355	405	
	d3		40	40	40	40	40	40	
	e2 _{min}		178	178	178	178	204	233	
	v		195	195	195	195	240	265	
	b1		100	100	100	100	125	140	
	s		15	15	15	15	15	20	
	b2		38	38	38	38	39	43	
	h1		315	315	315	315	375	409	
	h3 _{max}		532	532	532	560	650	719	
	Weight [kg]		S'hook	105	105	105	108	118	128
			D'hook	107	107	107	110	120	130
8.000	Hook no.		5	5	5	6	8	8	
	Material		P	P	P	P	P	S	
	Rope-Ø		10	10	10	12	14	16	
	d1		225	225	225	280	355	400	
	d2		260	260	260	320	405	460	
	d3		40	40	40	40	40	50	
	e2 _{min}		178	178	178	204	233	240	
	v		195	195	195	240	265	265	
	b1		100	100	100	125	140	140	
	s		15	15	15	15	20	20	
	b2		38	38	38	39	43	50	
	h1		315	315	315	375	409	414	
	h3 _{max}		532	532	532	632	719	751	
	Weight [kg]		S'hook	105	105	105	108	118	128
			D'hook	107	107	107	110	120	130
10.000	Hook no.		6	6	6	8	10	10	
	Material		P	P	P	P	P	S	
	Rope-Ø		10	12	12	14	14	16	
	d1		280	280	280	355	400	450	
	d2		315	320	320	405	450	510	
	d3		40	40	40	40	50	50	
	e2 _{min}		203	204	204	233	253	260	
	v		240	240	240	265	280	280	
	b1		125	125	125	140	160	160	
	s		15	15	15	20	20	20	
	b2		38	39	39	43	43	50	
	h1		375	375	375	409	441	441	
	h3 _{max}		630	632	632	719	784	814	
	Weight [kg]		S'hook	108	109	109	118	140	145
			D'hook	110	111	111	120	142	147

Load capacity [kg]	Rope mechanism group acc. to FEM								
			M3	M4	M5	M6	M7	M8	
			1Bm	1Am	2m	3m	4m	5m	
12.500	Hook no.		8	8	8	10	12	12	
	Material		P	P	P	P	P	S	
	Rope-Ø		14	14	14	14	16	18	
	d1		280	280	315	315	400	500	
	d2		330	330	365	365	460	565	
	d3		40	40	40	40	50	50	
	e2 _{min}		233	233	233	253	290	295	
	v		265	265	265	280	315	315	
	b1		140	140	140	160	180	180	
	s		20	20	20	20	25	25	
	b2		43	43	43	43	50	55	
	h1		409	409	409	436	493	493	
	h3 _{max}		681	681	699	737	853	906	
	Weight [kg]		S'hook	119	119	119	138	196	216
			D'hook	121	121	121	140	199	219
16.000	Hook no.		8	8	10	8	8	16	
	Material		P	P	P	V	V	S	
	Rope-Ø		14	14	14	16	18	20	
	d1		280	280	315	400	450	630	
	d2		330	330	365	460	515	700	
	d3		40	50	50	50	50	60	
	e2 _{min}		233	233	253	240	245	310	
	v		265	265	280	265	265	370	
	b1		140	140	160	140	140	190	
	s		20	20	20	20	20	25	
	b2		43	43	43	50	55	60	
	h1		409	414	441	414	414	563	
	h3 _{max}		681	686	742	751	779	1057	
	Weight [kg]		S'hook	119	119	138	128	154	348
			D'hook	121	121	140	130	156	352
20.000	Hook no.		8	10	8	8	10	20	
	Material		P	P	V *	V *	V	S	
	Rope-Ø		14	16	16	18	20	24	
	d1		280	315	355	450	500	630	
	d2		330	375	415	515	570	705	
	d3		60	60	60	60	60	60	
	e2 _{min}		236	260	240	245	270	335	
	v		265	280	265	265	280	415	
	b1		140	160	140	140	160	200	
	s		20	20	20	20	20	30	
	b2		46	50	50	55	60	65	
	h1		419	446	419	419	446	622	
	h3 _{max}		691	752	734	784	849	1137	
	Weight [kg]		S'hook	119	138	118	154	252	455
			D'hook	121	140	120	156	254	457

Load capacity [kg]	Rope mechanism group acc. to FEM								
			M3	M4	M5	M6	M7	M8	
			1Bm	1Am	2m	3m	4m	5m	
25.000	Hook no.		10	12	8	10	12	25	
	Material		P	P	V *	V	V	S	
	Rope-Ø		16	18	18	20	22	26	
	d1		280	315	400	450	560	710	
	d2		340	380	465	520	630	790	
	d3		60	60	60	60	60	70	
	e2 _{min}		260	295	245	270	300	360	
	v		280	315	265	280	315	460	
	b1		160	180	140	160	180	220	
	s		20	25	20	20	25	30	
	b2		50	55	55	60	60	70	
	h1		446	498	419	446	498	688	
	h3 _{max}		734	818	759	824	943	1265	
	Weight [kg]		S'hook	196	154	128	145	276	526
			D'hook	197	156	130	147	278	525
32.000	Hook no.		12	8	10	12	16	32	
	Material		P	V *	V *	V	V	S	
	Rope-Ø		18	20	20	22	25	29	
	d1		315	355	400	500	630	710	
	d2		380	425	470	570	705	790	
	d3		70	70	70	70	70	70	
	e2 _{min}		295	250	270	300	315	420	
	v		315	265	280	315	370	500	
	b1		180	140	160	180	190	260	
	s		25	20	20	25	25	40	
	b2		55	60	60	60	65	70	
	h1		503	424	451	503	568	750	
	h3 _{max}		823	744	804	918	1065	1347	
	Weight [kg]		S'hook	154	118	140	216	348	1083
			D'hook	156	120	142	219	352	1090
40.000	Hook no.		8	10	12	16	20		
	Material		V *	V *	V *	V *	V		
	Rope-Ø		20	22	22	25	28		
	d1		355	400	450	630	710		
	d2		425	470	520	705	790		
	d3		70	70	70	70	80		
	e2 _{min}		250	270	300	315	340		
	v		265	280	315	370	415		
	b1		140	160	180	190	200		
	s		20	20	25	25	30		
	b2		60	60	60	65	70		
	h1		424	451	503	568	632		
	h3 _{max}		744	804	893	1065	1189		
	Weight [kg]		S'hook	118	140	251	348	474	
			D'hook	120	142	253	352	476	

Load capacity [kg]			Rope mechanism group acc. to FEM					
			M3	M4	M5	M6	M7	M8
			1Bm	1Am	2m	3m	4m	5m
50.000	Hook no.		10	12	16	20		
	Material		V *	V *	V *	V *		
	Rope-Ø		22	24	25	28		
	d1		355	450	500	630		
	d2		425	525	575	710		
	d3		80	80	80	80		
	e2 _{min}		270	305	315	340		
	v		280	315	370	415		
	b1		160	180	190	200		
	s		20	25	25	30		
	b2		60	65	65	70		
	h1		456	508	573	632		
	h3 _{max}		787	901	1005	1149		
	Weight [kg]	S'hook	194	251	342	455		
		D'hook	195	253	346	457		
63.000	Hook no.		12	16	20			
	Material		V *	V *	V *			
	Rope-Ø		25	28	28			
	d1		400	500	560			
	d2		475	580	640			
	d3		90	90	90			
	e2 _{min}		307	320	340			
	v		315	370	415			
	b1		180	190	200			
	s		25	25	30			
	b2		67	70	70			
	h1		513	578	637			
	h3 _{max}		881	1012	1119			
	Weight [kg]	S'hook	196	342	407			
		D'hook	199	346	409			

Figured are bottom hook blocks with rope pulleys in welded single support-round plate design. Other rope pulleys and bearings on request. Standard colouring: prime and finish coating RAL 1004. Other shades and coating types optional acc. to customer requirement. Deviations from listed bottom hook blocks as well bottom hook blocks for special applications on request.

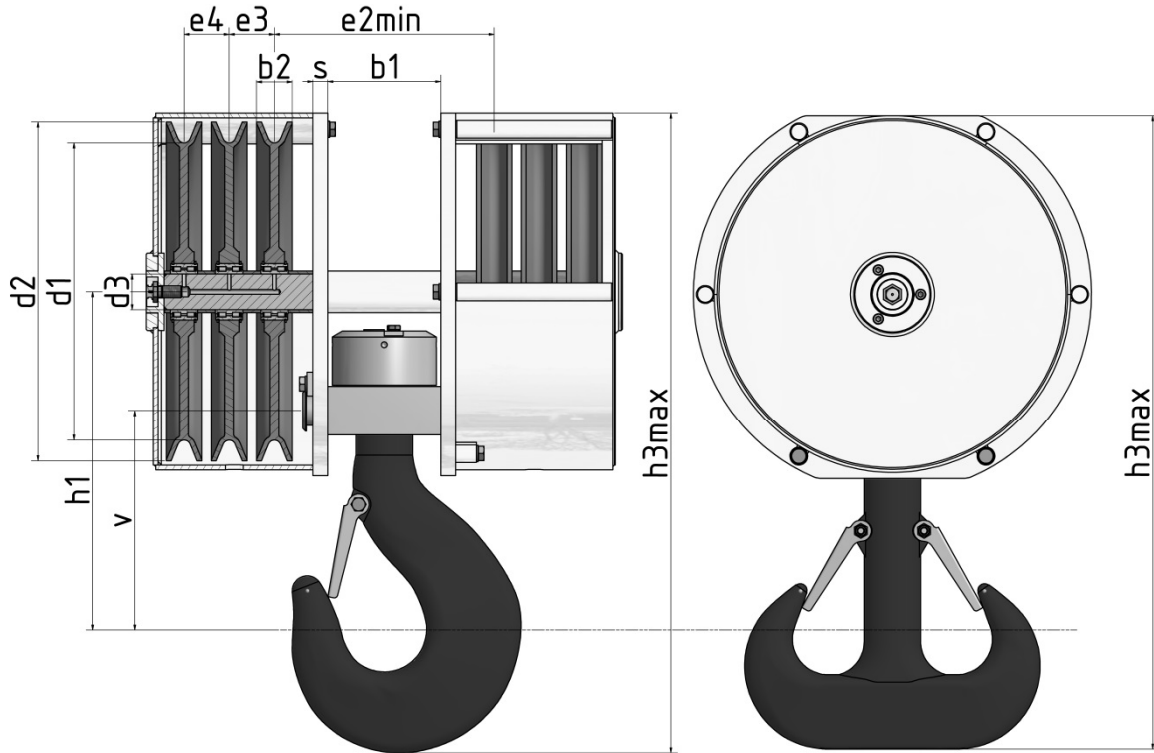


Load capacity [kg]		Rope mechanism group acc. to FEM					
		M3 1Bm	M4 1Am	M5 2m	M6 3m	M7 4m	M8 5m
25.000	Hook no.	8	8	8	10	12	25
	Material	V	V	V	V	V	S
	Rope-Ø	12	12	14	14	16	18
	d1	315	315	315	355	400	500
	d2	355	355	365	405	460	565
	d3	70	70	70	70	80	80
	e2 _{min}	244	244	244	264	300	350
	e3	80	80	80	80	80	80
	v	265	265	265	280	315	460
	b1	140	140	140	160	180	220
	s	20	20	20	20	25	30
	b2	54	54	54	54	60	60
	h1	424	424	424	451	508	693
	h3 _{max}	709	709	714	772	868	1158
	Weight [kg]	S'hook	119	119	119	194	196
D'hook		121	121	121	195	199	604

Load capacity [kg]		Rope mechanism group acc. to FEM					
		M3 1Bm	M4 1Am	M5 2m	M6 3m	M7 4m	M8 5m
32.000	Hook no.	8	8	10	12	16	32
	Material	V *	V *	V *	V	V	S
	Rope-Ø	13	14	14	16	18	20
	d1	280	280	280	355	450	630
	d2	320	330	330	415	515	700
	d3	80	80	80	80	80	80
	e2 _{min}	250	250	270	300	310	410
	e3	80	80	80	80	80	80
	v	265	265	280	315	370	500
	b1	140	140	160	180	190	260
	s	20	20	20	25	25	40
	b2	60	60	60	60	60	60
	h1	429	429	456	508	573	755
	h3 _{max}	696	701	739	846	975	1307
	Weight [kg]	S'hook	119	119	196	307	401
D'hook		121	121	197	309	405	886
40.000	Hook no.	8	10	12	16	20	40
	Material	V *	V *	V *	V *	V	S
	Rope-Ø	14	16	16	18	20	24
	d1	280	280	315	400	500	630
	d2	330	340	375	465	570	705
	d3	90	90	90	90	90	90
	e2 _{min}	257	277	307	317	337	452
	e3	80	80	80	80	80	80
	v	265	280	315	370	415	565
	b1	140	160	180	190	200	285
	s	20	20	25	25	30	45
	b2	67	67	67	67	67	67
	h1	434	461	513	578	637	845
	h3 _{max}	706	749	831	955	1084	1422
	Weight [kg]	S'hook	119	119	154	375	459
D'hook		121	121	156	379	461	1155
50.000	Hook no.	10	12	16	20	25	50
	Material	V *	V *	V *	V *	V	S
	Rope-Ø	16	18	18	20	22	26
	d1	280	315	355	450	560	710
	d2	340	380	420	520	630	790
	d3	110	110	110	110	110	110
	e2 _{min}	290	320	330	350	370	515
	e3	95	95	95	95	95	95
	v	280	315	370	415	460	620
	b1	160	180	190	200	220	335
	s	20	25	25	30	30	45
	b2	80	80	80	80	80	80
	h1	471	523	588	647	708	927
	h3 _{max}	759	843	942	1069	1205	1570
	Weight [kg]	S'hook	119	154	362	451	606
D'hook		121	156	366	453	605	1497

Load capacity [kg]	Rope mechanism group acc. to FEM						
	M3	M4	M5	M6	M7	M8	
	1Bm	1Am	2m	3m	4m	5m	
63.000	Hook no.	12	16	20	25	32	63
	Material	V *	V *	V *	V *	V	S
	Rope-Ø	18	20	20	22	25	29
	d1	315	355	400	500	630	800
	d2	380	425	470	570	705	880
	d3	120	120	120	120	120	120
	e2 _{min}	320	330	350	370	430	570
	e3	95	95	95	95	95	95
	v	315	370	415	460	500	700
	b1	180	190	200	220	260	380
	s	25	25	30	30	40	50
	b2	80	80	80	80	80	80
	h1	528	593	652	713	775	1047
	h3 _{max}	848	950	1049	1180	1330	1764
	Weight [kg]	S'hook	154	362	457	605	879
D'hook		156	366	459	604	886	2037
100.000	Hook no.	20	25	32	40	50	
	Material	V **	V *	V *	V	V	
	Rope-Ø	22	24	25	28	32	
	d1	355	450	500	630	800	
	d2	425	525	575	710	890	
	d3	140	140	140	140	140	
	e2 _{min}	350	370	430	465	515	
	e3	95	95	95	95	95	
	v	415	460	500	565	620	
	b1	200	220	260	285	335	
	s	30	30	40	45	45	
	b2	80	80	80	80	80	
	h1	662	723	785	870	942	
	h3 _{max}	1037	1168	1275	1449	1635	
	Weight [kg]	S'hook	472	578	762	1145	1847
D'hook		476	577	769	1155	1805	
125.000	Hook no.	25	32	40	50		
	Material	V *	V *	V *	V		
	Rope-Ø	25	28	28	32		
	d1	400	500	560	710		
	d2	475	580	640	800		
	d3	150	150	150	150		
	e2 _{min}	370	430	465	515		
	e3	95	95	95	95		
	v	460	500	565	620		
	b1	220	260	285	335		
	s	30	40	45	45		
	b2	80	80	80	80		
	h1	728	790	875	947		
	h3 _{max}	1148	1282	1419	1595		
	Weight [kg]	S'hook	619	762	1085	1539	
D'hook		618	769	1095	1497		

Figured are bottom hook blocks with rope pulleys in welded single support-round plate design. Other rope pulleys and bearings on request. Standard colouring: prime and finish coating RAL 1004. Other shades and coating types optional acc. to customer requirement. Deviations from listed bottom hook blocks as well bottom hook blocks for special applications on request.



Load capacity [kg]	Rope mechanism group acc. to FEM						
	M3 1Bm	M4 1Am	M5 2m	M6 3m	M7 4m	M8 5m	
32.000	Hook no.	16	16	16	16	16	32
	Material	V	V	V	V	V	S
	Rope-Ø	16	16	16	16	16	17
	d1	400	400	400	400	400	500
	d2	460	460	460	460	460	560
	d3	90	90	90	90	90	90
	e2 _{min}	317	317	317	317	317	417
	e3=e4	80	80	80	80	80	80
	v	370	370	370	370	370	500
	b1	190	190	190	190	190	260
	s	25	25	25	25	25	40
	b2	67	67	67	67	67	67
	h1	578	578	578	578	578	760
	h3 _{max}	952	952	952	952	952	1242
Weight [kg]	S'hook	375	375	375	375	375	762
	D'hook	379	379	379	379	379	769

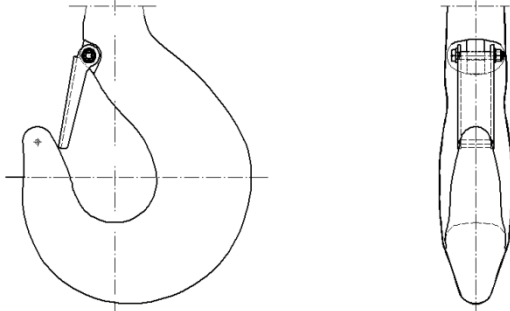
Load capacity [kg]	Rope mechanism group acc. to FEM							
		M3 1Bm	M4 1Am	M5 2m	M6 3m	M7 4m	M8 5m	
40.000	Hook no.	16	16	16	16	20	40	
	Material	V *	V *	V *	V *	V	S	
	Rope-Ø	16	16	16	16	16	20	
	d1	400	400	400	400	450	560	
	d2	460	460	460	460	510	630	
	d3	120	120	120	120	120	120	
	e2 _{min}	330	330	330	330	350	465	
	e3=e4	95	95	95	95	95	95	
	v	370	370	370	370	415	565	
	b1	190	190	190	190	200	285	
	s	25	25	25	25	30	45	
	b2	80	80	80	80	80	80	
	h1	593	593	593	593	652	860	
	h3 _{max}	967	967	967	967	1069	1399	
	Weight [kg]	S'hook	375	375	375	375	451	1085
		D'hook	379	379	379	379	453	1095
50.000	Hook no.	10	12	16	20	25	50	
	Material	V *	V *	V *	V *	V	S	
	Rope-Ø	13	14	16	16	18	22	
	d1	400	400	400	400	450	630	
	d2	440	450	460	460	515	700	
	d3	130	130	130	130	130	130	
	e2 _{min}	290	320	330	350	370	515	
	e3=e4	95	95	95	95	95	95	
	v	280	315	370	415	460	620	
	b1	160	180	190	200	220	335	
	s	20	25	25	30	30	45	
	b2	80	80	80	80	80	80	
	h1	481	533	598	657	718	937	
	h3 _{max}	819	888	972	1049	1158	1535	
	Weight [kg]	S'hook	140	196	375	457	578	1719
		D'hook	142	199	379	459	577	1677
63.000	Hook no.	12	16	20	25	32	63	
	Material	V *	V *	V *	V *	V	S	
	Rope-Ø	16	16	16	18	22	24	
	d1	400	400	400	450	560	710	
	d2	460	460	460	515	630	785	
	d3	140	140	140	140	140	140	
	e2 _{min}	320	330	350	370	430	570	
	e3=e4	95	95	95	95	95	95	
	v	315	370	415	460	500	700	
	b1	180	190	200	220	260	380	
	s	25	25	30	30	40	50	
	b2	80	80	80	80	80	80	
	h1	538	603	662	723	785	1057	
	h3 _{max}	898	977	1054	1163	1302	1727	
	Weight [kg]	S'hook	196	375	457	578	947	1788
		D'hook	199	379	459	577	954	1727

Load capacity [kg]	Rope mechanism group acc. to FEM							
	M3	M4	M5	M6	M7	M8		
	1Bm	1Am	2m	3m	4m	5m		
80.000	Hook no.	16	20	25	32	40	80	
	Material	V *	V *	V *	V *	V	S	
	Rope-Ø	16	18	18	22	24	27	
	d1	400	400	400	500	630	800	
	d2	460	465	465	570	705	880	
	d3	150	150	150	150	150	150	
	e2 _{min}	330	350	370	430	465	610	
	e3=e4	95	95	95	95	95	95	
	v	370	415	460	500	565	800	
	b1	190	200	220	260	285	420	
	s	25	30	30	40	45	50	
	b2	80	80	80	80	80	80	
	h1	608	667	728	790	875	1189	
	h3 _{max}	982	1062	1143	1277	1452	1941	
	Weight [kg]	S'hook	375	457	619	762	1145	2456
		D'hook	379	459	618	769	1155	2346
100.000	Hook no.	20	25	32	40	50		
	Material	V **	V *	V *	V	V		
	Rope-Ø	18	20	22	24	28		
	d1	400	400	450	560	710		
	d2	465	470	520	635	790		
	d3	160	160	160	160	160		
	e2 _{min}	350	370	430	465	515		
	e3=e4	95	95	95	95	95		
	v	415	460	500	565	620		
	b1	200	220	260	285	335		
	s	30	30	40	45	45		
	b2	80	80	80	80	80		
	h1	672	733	795	880	952		
	h3 _{max}	1067	1150	1257	1422	1595		
	Weight [kg]	S'hook	457	619	957	1085	1539	
		D'hook	459	618	964	1095	1497	
125.000	Hook no.	25	32	40	50			
	Material	V *	V *	V *	V			
	Rope-Ø	20	22	24	28			
	d1	400	450	500	630			
	d2	470	520	575	710			
	d3	170	170	170	170			
	e2 _{min}	370	430	465	515			
	e3=e4	95	95	95	95			
	v	460	500	565	620			
	b1	220	260	285	335			
	s	30	40	45	45			
	b2	80	80	80	80			
	h1	738	800	885	957			
	h3 _{max}	1155	1262	1397	1560			
	Weight [kg]	S'hook	619	957	1305	1719		
		D'hook	618	964	1315	1677		

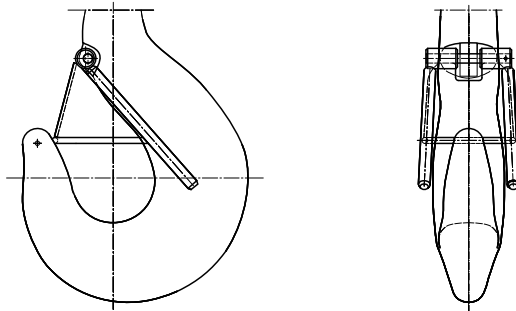
Load capacity [kg]		Rope mechanism group acc. to FEM						
		M3 1Bm	M4 1Am	M5 2m	M6 3m	M7 4m	M8 5m	
160.000	Hook no.	32	40	50				
	Material	V *	V *	V *				
	Rope-Ø	24	25	28				
	d1	400	450	560				
	d2	475	525	640				
	d3	190	190	190				
	e2 _{min}	430	465	515				
	e3=e4	95	95	95				
	v	500	565	620				
	b1	260	285	335				
	s	40	45	45				
	b2	80	80	80				
	h1	810	895	967				
	h3 _{max}	1250	1382	1535				
	Weight [kg]	S'hook	1125	1305	1575			
		D'hook	1132	1315	1533			

Figured are bottom hook blocks with rope pulleys in welded single support-round plate design. Other rope pulleys and bearings on request. Standard colouring: prime and finish coating RAL 1004. Other shades and coating types optional acc. to customer requirement. Deviations from listed bottom hook blocks as well bottom hook blocks for special applications on request.

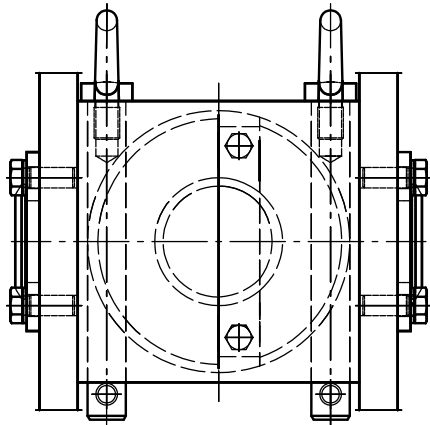
Hook safety catch
spring operated



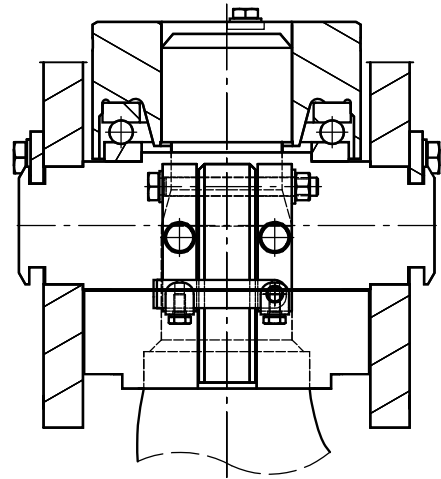
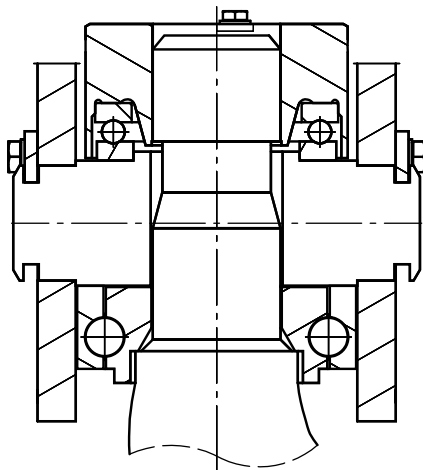
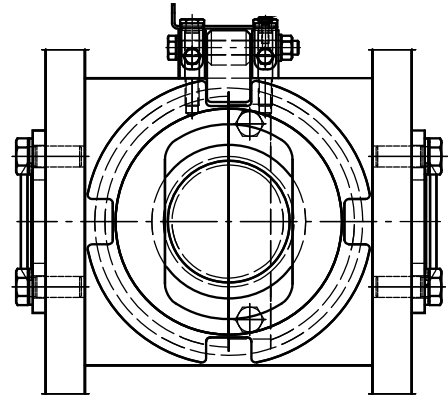
Hook safety catch
locking from dead weight



Heavy rotation locking
with double plug bolts
– type SD



Heavy rotation locking
with locking device
– type FR



Bottom hook blocks with spring-loaded double traverse, lifting hook size: 32.

Application site: foundry

Reason for special design: compensation of the vibrations at the mold shaker.



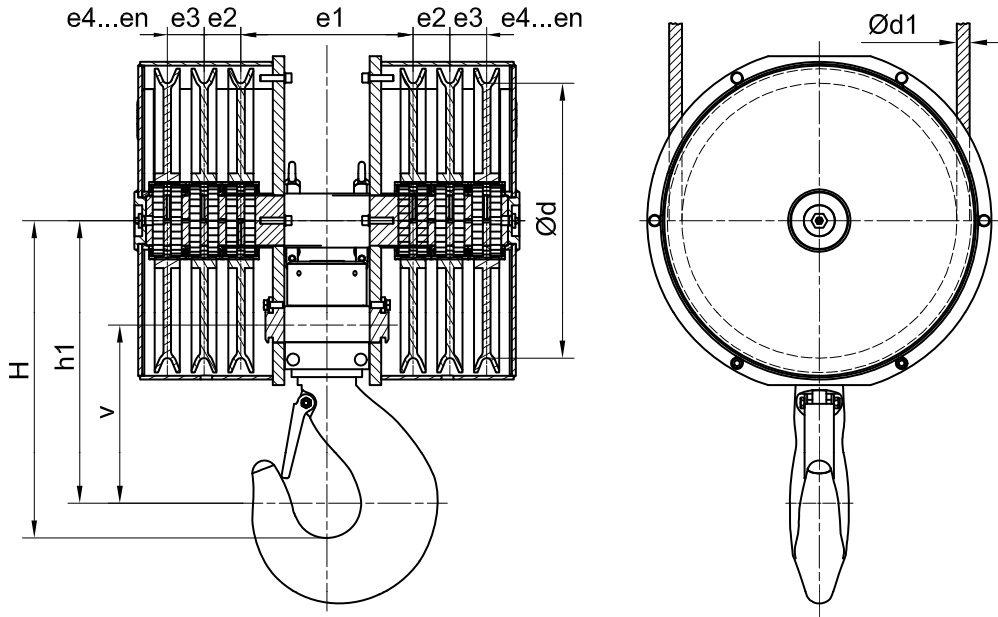
Bottom hook blocks with fork hook, lifting hook size: 100

Application site: aluminium mill

Reason for special design: fork hook can be replaced by slab tongs which are suited for the transport of aluminium blocks.



Further samples of special bottom hook blocks can be seen on our website.



Number of bottom hook blocks:	Hook no:
Load capacity:	Strength category (DIN 15 400):
Power unit group:	e1:
Crane classification (DIN 15 018): H:.....B:.....	e2:
Stroke speed:	e3:
Rope reeving:	e4:
Rope-Ø d1:	e5:
Number of rope pulleys:	v:
Rope pulleys-Ø d:	h1:
Hook shape:	H:
<input type="checkbox"/> single hook <input type="checkbox"/> double hook	
<input type="checkbox"/> lamellae - single hook <input type="checkbox"/> lamellae - double hook	

Options:

Hook anti-rotation device SD, 4x90°: yes no
 Hook anti-rotation device FR, 4x90°: yes no
 Heat protection: yes no
 Marking RAL 9005: yes no
 Specials (on request)

Standard equipment:

With spring operated safety catch
 With load plate

With primary and finishing coat:
 RAL 1004, RAL 1007, RAL.....
 Bottom hook block completely pre-finished and assembled

Characteristics:

Anomalous ambient temperature.: _____ to _____ °C
 internal operation external operation
 underwater operation
